

Now with up to 25 watts output (802.3at) VoIP V2 Loudspeaker Amplifier

CyberData
The IP Endpoint Company

The new CyberData V2 SIP-enabled VoIP Loudspeaker Amplifier provides an easy method for implementing an IP-based overhead paging system for both new and legacy installations.

With up to 25 watts of driving power (802.3at), the Amplifier provides direct drive of a standard Horn speaker and supports a line-out connector for connection to an external amplifier.

The interface is compatible with most SIP-based IP PBX servers that comply with the SIP RFC 3261. For non-SIP environments, the Loudspeaker Amplifier can be configured to listen to multicast address and port number combinations to form paging zones.

Ringer Mode

The VoIP V2 Loudspeaker Amplifier supports two SIP extensions. One extension can be assigned to a page group for auto answer paging. The second extension can be assigned to a "First-to-Answer" ring group with IP phones. An audio ring file is activated when the second SIP extension of the ceiling speaker is dialed. If any of the IP phones in the ring group is answered (or if the caller hangs up), the Loudspeaker Amplifier stops ringing.

Features

- SIP and Simultaneous Multicast
- Dual-speed ethernet 10/100 Mbps
- Web-based configuration
- PoE 802.3at and 802.3af-enabled
- Line-in for background music
- Line-out connector
- DTMF controlled relay
- Direct 8 Ohm speaker drive
- User-uploadable tones and messages
- Digital and manual volume control
- Second SIP endpoint "Night Ringer"
- Autoprovisioning
- Auto-call voice message from input port sense



Loudspeaker (part #011068) must be purchased separately.

Specifications

Ethernet I/F	10/100 Mbps
Power Input	PoE 802.3at or 802.3af
Operating Temperature	-30 to 55 C (-22 to 131 F)
Protocol	SIP RFC 3261
Payload Types	G711
Regulatory Compliance	FCC Class A
Warranty	2 Years Limited
Dimensions	14" x 10" x 4"
Output	● 802.3af - up to 8 watts ● 802.3at - up to 25 watts

Line In:

Input Signal Amplitudes	2.0 VPP maximum
Input Impedance	10k Ohm

Line Out:

Output Signal Amplitudes	2.0 VPP maximum
Output Level	+2dBm nominal
Total Harmonic Distortion	0.5% maximum
Output Impedance	10k Ohm

Boxed Weight	6.5 lbs.
--------------	----------

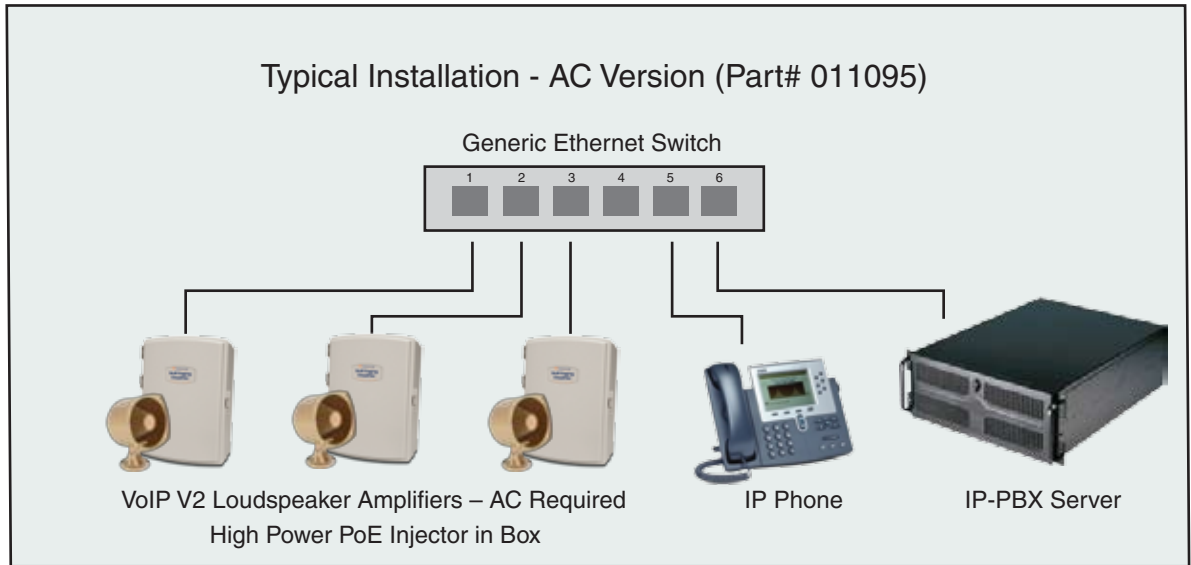
Part Number	
Loudspeaker Amplifier, AC	011095
Loudspeaker Amplifier, Wireless	011096
Loudspeaker Amplifier, PoE	011097
Loudspeaker Part Number	011068

CyberData
The IP Endpoint Company

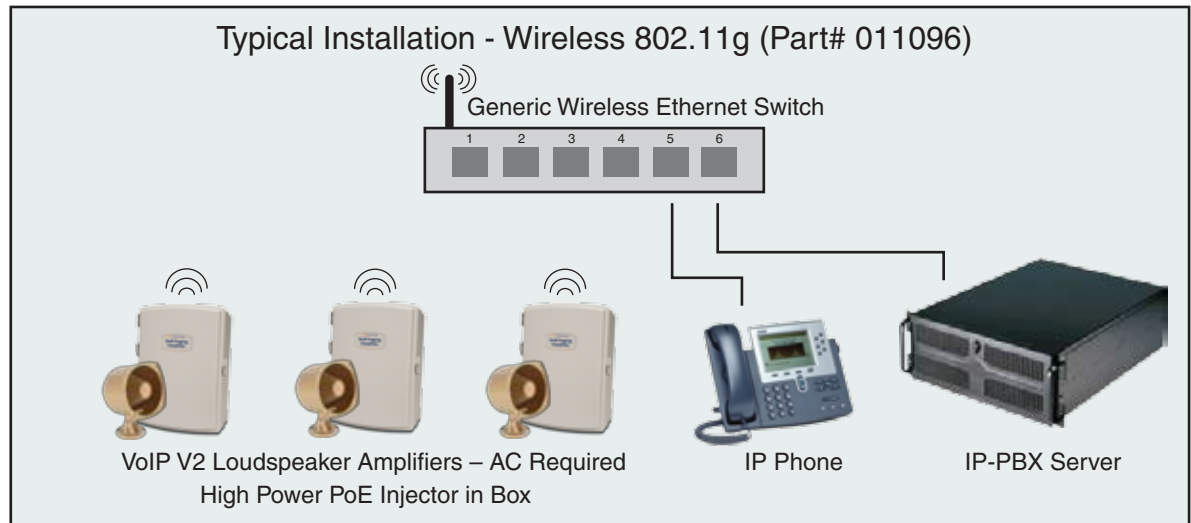
VoIP V2 Loudspeaker Amplifier



011095



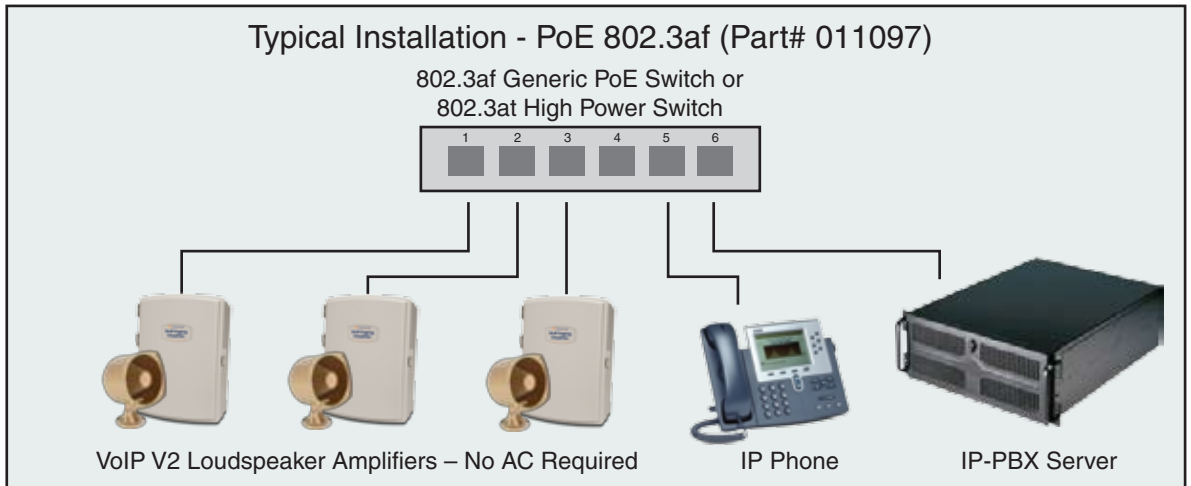
011096



*For AC wiring, use a qualified electrician.



011097



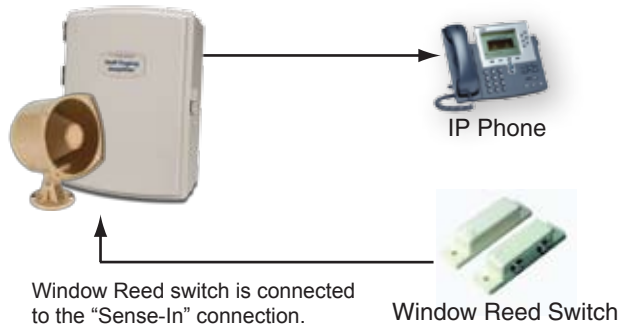
VoIP V2 Loudspeaker Amplifier

Configuring the V2 Loudspeaker Amplifier for Alarm Sensing

User can upload an audio message to the Loudspeaker Amplifier.

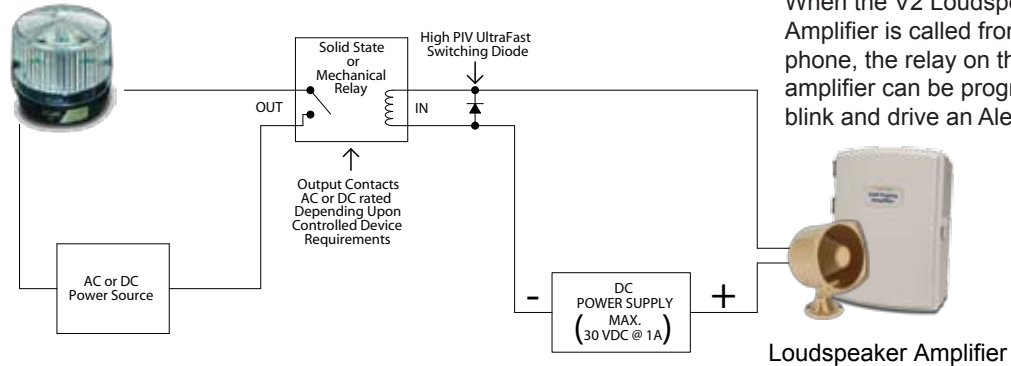
When the "Sense-In" is activated, the stored Audio file will play out the local speaker and repeat until the condition is cleared.

The Loudspeaker Amplifier can also call a pre-set phone number and when that phone answers, the stored Audio message will also be played to the phone.



V2 Loudspeaker Amplifier with Strobe Alert

Alert Strobe



When the V2 Loudspeaker Amplifier is called from a remote phone, the relay on the paging amplifier can be programmed to blink and drive an Alert Strobe.

V2 Loudspeaker Amplifier Connections

CLASS II WIRING

