

707 EAST SEPULVEDA BLVD. CARSON, CA 90745
TEL. 310.885.4200 . FAX. 310.885.4944 . TOLL FREE. 888.492.8363
WWW.WAVENET.NET
© 2020 WAVENET, INCORPORATED. ALL RIGHTS RESERVED.



CBLCATALOG-2021

Catalog Disclaimer:

Information in this Cable Product Guide is provided as a guide to product selection and is believed to be correct at time of publication. Wavenet is not responsible for misprints, obsolete information or errors.



NETWORK CABLING SOLUTIONS

TABLE OF CONTENTS

COMPANY INFORMATION

02 COMPANY INFORMATION

03 WORK AREA OUTLETS

16 PATCH PANELS

19 CABINETS & RACKS

27 SHELVES & CABLE MANAGEMENT

37 RESIDENTIAL STRUCTURED WIRING ENCLOSURES

42 TOOLS & ACCESSORIES



COLOR OPTIONS

[PART NUMBER XX = COLOR]



ABOUT US

Wavenet, Inc. was established in 1990 with focus on providing superior quality, reliability, and innovation necessary to satisfy the industry's growing demand for Datacom, and Telecom Structured Cabling Solutions.

OUR PROMISE

Wavenet will continue to increase customer satisfaction and become a trustworthy business partner by having significant stock availability across multiple strategically placed warehouses across the United States.

OUR GOAL

To continue to offer our customers with competitive pricing, professional sales, friendly customer service, and product support.

WHY WAVENET?

Wavenet products are consistently rated higher in both performance, quality, and value to meet industry standards and organizations such as the followings:

- ANSI/TIA
- UL, cUL
- ETL, cETL
- ISO/IEC
- NEC/NFPA, CSA
- IEEE 802.x
- RoHS
- Government

WAVENET LOCATIONS

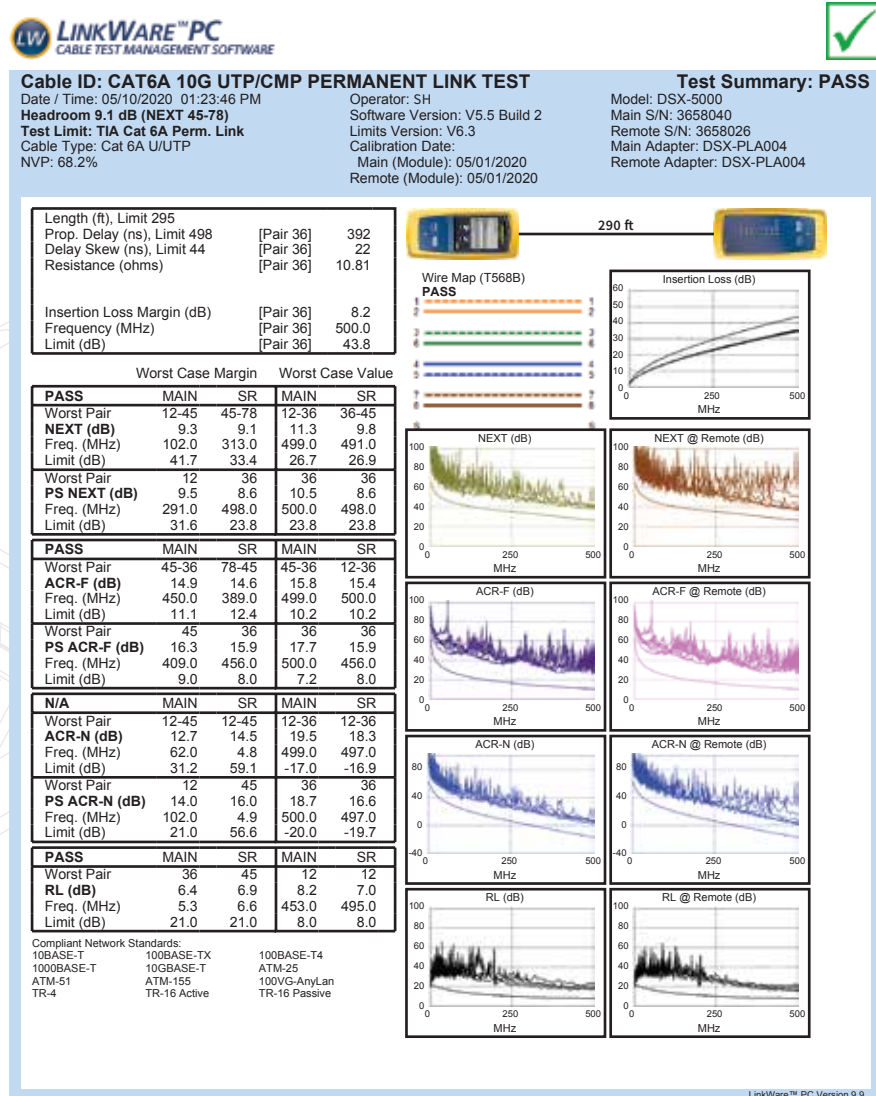
CALIFORNIA CORPORATE WAREHOUSE Toll Free: 888.492.8363 707 East Sepulveda Blvd., Carson, CA 90745	TEXAS WAREHOUSE Carrollton, TX 75006	NEW JERSEY WAREHOUSE Ridgefield, NJ 07657
---------------------------------------------------------------------------------------------------------------------------	--------------------------------------------------------	-------------------------------------------------------------



CAT6A PERMANENT LINK SYSTEM SOLUTIONS



KEYSTONE JACKS	DESCRIPTION	PART NUMBER
CAT6A (HDJ-SERIES)	CAT6A, UTP, 110-TYPE, 8P8C, RJ-45, HDJ-SERIES, KEYSTONE JACK, WIRED T568A/B	HD-6AKSJXX-S
CAT6A (SDJ-SERIES)	CAT6A, UTP, 110-TYPE, 8P8C, RJ-45, SDJ-SERIES, KEYSTONE JACK, WIRED T568A/B	6AKSJXX-S
PATCH PANELS	DESCRIPTION	PART NUMBER
CAT6A (1U, 24-PORTS)	CAT6A, 110-TYPE, PATCH PANEL, 24-PORT, 1U, WIRED T568A/B	6APP24-S
CAT6A (2U, 48-PORTS)	CAT6A, 110-TYPE, PATCH PANEL, 48-PORT, 1U, WIRED T568A/B	6APP48-S
UTP CMR / CMP CABLES	DESCRIPTION	PART NUMBER
CAT6A (CMR)	23AWG 4PR 10G UTP CMR - COLORS: BL - REEL	6A04URBL2
CAT6A (CMP)	23AWG 4PR 10G UTP CMP - COLORS: BL - REEL	6A04UPBL2



PROOF OF PERFORMANCE

NOTE:
Test parameters such as values and conditions varies.
Results beyond 500MHz for reference only.

CAT6A KEYSTONE JACKS [HDJ SERIES]



FEATURES

- 110-TYPE, 8P8C (RJ-45), T568A/B WIRING
- Supports 10G data applications
- Component-rated performance
- 180-degree configuration for fast punch down
- Meet and exceeds ANSI/TIA-568-C requirements
- UL listed

ORDERING INFORMATION

PART#	DESCRIPTION	COLOR	PACKAGE
HD-6AKSJBL	CAT6A, HD Series, UTP, 110-Type, 8P8C (RJ-45),T568A/B	Blue	SINGLE PACK
HD-6AKSJWH	CAT6A, HD Series, UTP, 110-Type, 8P8C (RJ-45),T568A/B	White	SINGLE PACK
HD-6AKSJBL-25PK	CAT6A, HD Series, UTP, 110-Type, 8P8C (RJ-45),T568A/B	Blue	25-PACK
HD-6AKSJWH-25PK	CAT6A, HD Series, UTP, 110-Type, 8P8C (RJ-45),T568A/B	White	25-PACK

CAT6A KEYSTONE JACKS [SDJ SERIES]



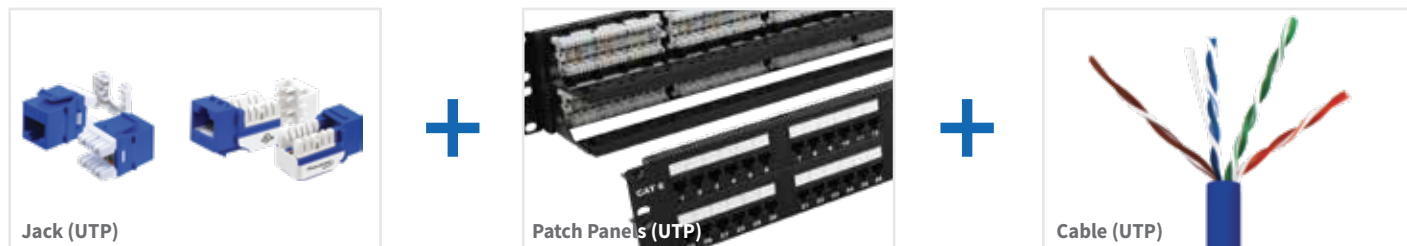
FEATURES

- 110-TYPE, 8P8C (RJ-45), T568A/B WIRING
- Supports 10G data applications
- Component-rated performance
- 90-degree configuration for fast punch down
- Meet and exceeds ANSI/TIA-568-C requirements
- UL listed

ORDERING INFORMATION

PART#	DESCRIPTION	COLOR	PACKAGE
6AKSJBL-S	CAT6A, UTP, 110-Type, 8P8C (RJ-45),T568A/B	Blue	SINGLE PACK
6AKSJWH-S	CAT6A, UTP, 110-Type, 8P8C (RJ-45),T568A/B	White	SINGLE PACK
6AKSJBL-25PK	CAT6A, UTP, 110-Type, 8P8C (RJ-45),T568A/B	Blue	25-PACK
6AKSJWH-25PK	CAT6A, UTP, 110-Type, 8P8C (RJ-45),T568A/B	White	25-PACK

CAT6 PERMANENT LINK SYSTEM SOLUTIONS



KEYSTONE JACKS	DESCRIPTION	PART NUMBER
CAT6 (HDJ-SERIES)	CAT6, UTP, 110-TYPE, 8P8C, RJ-45, HDJ-SERIES, KEYSTONE JACK, WIRED T568A/B	HD-6EKSJXX-S
CAT6 (SDJ-SERIES)	CAT6, UTP, 110-TYPE, 8P8C RJ-45, SDJ-SERIES, KEYSTONE JACK, WIRED T568A/B	6EKSJXX-S
PATCH PANELS	DESCRIPTION	PART NUMBER
CAT6 (WALL MOUNT, 12-PORT)	CAT6, 110-TYPE, PATCH PANEL, 12-PORT, WALL MOUNT, WIRED T568A/B	6EPP12V-S
CAT6 (1U, 24-PORT)	CAT6, 110-TYPE, PATCH PANEL, 24-PORT, 1U, WIRED T568A/B	6EPP24-S
CAT6 (2U, 48-PORT)	CAT6, 110-TYPE, PATCH PANEL, 48-PORT, 1U, WIRED T568A/B	6EPP48-S
UTP CMR / CMP CABLES	DESCRIPTION	PART NUMBER
CAT6 (CMR) NO SPLINE	23AWG 4PR 400MHZ CMR - 6 COLORS - REELEX II	6E04URSPLSXX
CAT6 (CMP)	23AWG 4PR 550MHZ CMP - 7 COLORS - RIB	6E04UPXX
CAT6 (CMP) NO SPLINE	23AWG 4PR 400MHZ CMP - COLORS: BL, WH, GY - RIB / REELEX II	6E04UPSPLSXX

LINKWARE™ PC
CABLE TEST MANAGEMENT SOFTWARE

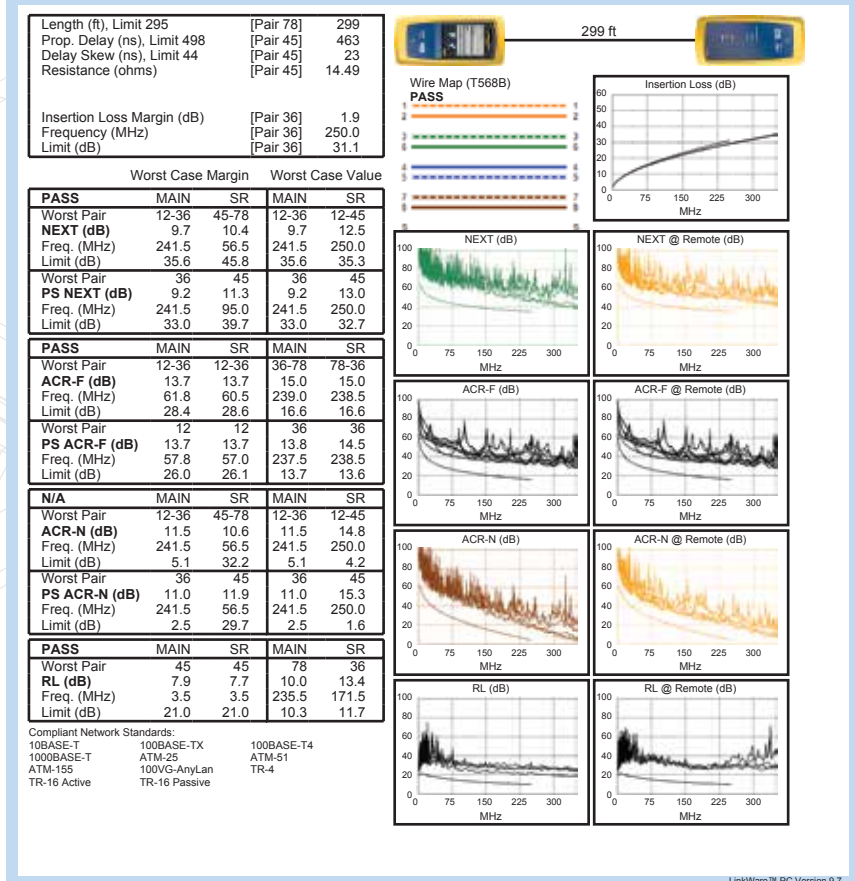
Cable ID: Wavenet CAT 6E 600MHZ UTP/CMR
Date / Time: 05/10/2020 02:36:51 PM
Headroom 9.7 dB (NEXT 12-36)
Test Limit: TIA Cat 6 Perm. Link
Cable Type: Cat 6 U/UTP
NVP: 69.0%

Test Summary: PASS
Operator: SH
Software Version: V5.0 Build 3
Limits Version: V5.0
Calibration Start Date:
Main (Module): 05/01/2020
Remote (Module): 05/01/2020

Model: DSX-5000
Main S/N: 3658026
Remote S/N: 3658040
Main Adapter: DSX-PLA004
Remote Adapter: DSX-PLA004

PROOF OF PERFORMANCE

NOTE:
Test parameters such as values and conditions varies.
Results beyond 250MHz for reference only.



Project: PERMANENT LINK TEST Untitled1



CAT6 KEYSTONE JACKS [HDJ SERIES]



FEATURES

- 110-TYPE, 8P8C (RJ-45), T568A/B WIRING
- Meet and exceeds ANSI/TIA-568-C requirements
- Component-rated performance
- UL listed
- 180-degree configuration for fast punch down

ORDERING INFORMATION

PART#	DESCRIPTION	COLOR	PACKAGE
HD-6EKSJXX	CAT6, HD Series, UTP, 110-Type, 8P8C (RJ-45),T568A/B		SINGLE PACK
HD-6EKSJBL-25PK	CAT6, HD Series, UTP, 110-Type, 8P8C (RJ-45),T568A/B		25-PACK
HD-6EKSJWH-25PK	CAT6, HD Series, UTP, 110-Type, 8P8C (RJ-45),T568A/B		25-PACK

CAT6 KEYSTONE JACKS [SDJ SERIES]



FEATURES

- 110-TYPE, 8P8C (RJ-45), T568A/B WIRING
- Meet and exceeds ANSI/TIA-568-C requirements
- Component-rated performance
- UL listed
- 90-degree configuration for fast punch down

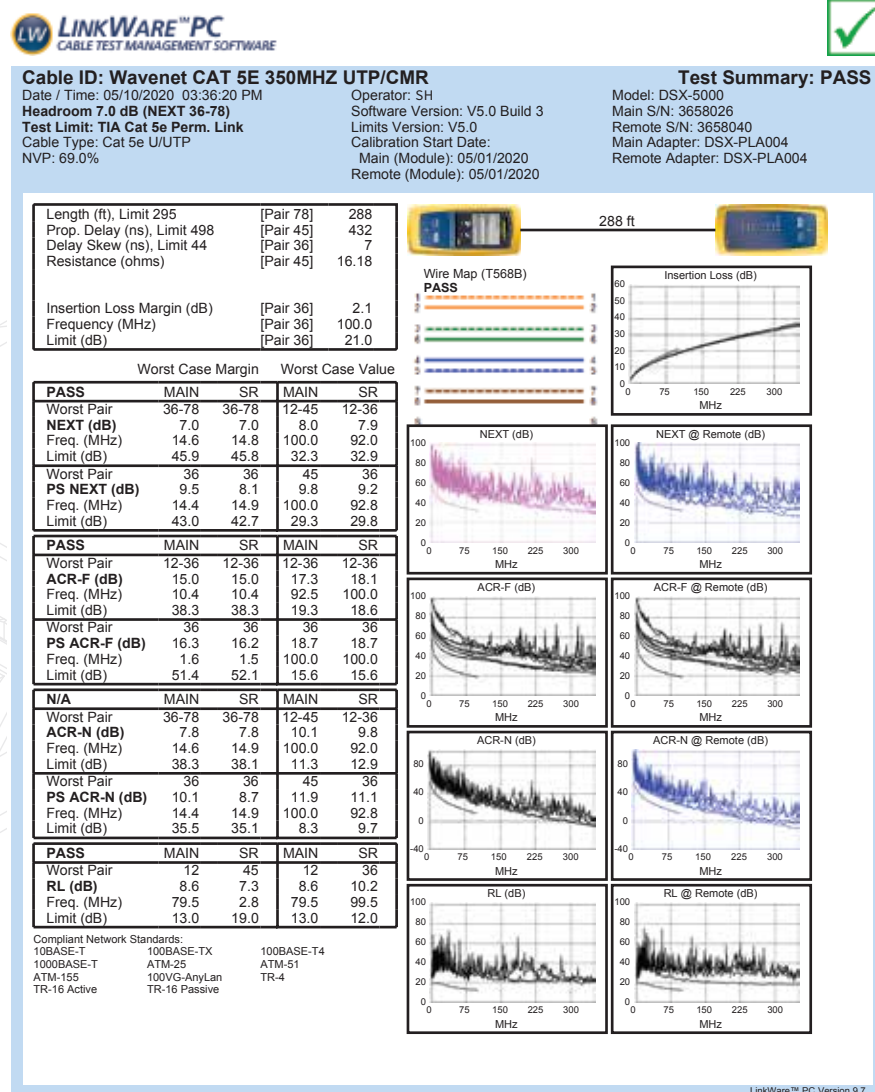
ORDERING INFORMATION

PART#	DESCRIPTION	COLOR	PACKAGE
6EKSJXX-S	CAT6, UTP, 110-Type, 8P8C (RJ-45),T568A/B		SINGLE PACK
6EKSJBL-SPK	CAT6, UTP, 110-Type, 8P8C (RJ-45),T568A/B		25-PACK
6EKSJWH-SPK	CAT6, UTP, 110-Type, 8P8C (RJ-45),T568A/B		25-PACK

CAT5E PERMANENT LINK SYSTEM SOLUTIONS



KEYSTONE JACKS	DESCRIPTION	PART NUMBER
CAT5E (HDJ-SERIES)	CAT5E, UTP, 110-TYPE, 8P8C, RJ-45, HDJ-SERIES, KEYSTONE JACK, WIRED T568A/B	HD-5EKSJXX-S
CAT5E (SDJ-SERIES)	CAT5E, UTP, 110-TYPE, 8P8C, RJ-45, SDJ-SERIES, KEYSTONE JACK, WIRED T568A/B	5EKSJXX-S
PATCH PANELS	DESCRIPTION	PART NUMBER
CAT5E (WALL MOUNT, 12-PORT)	CAT5E, 110-TYPE, PATCH PANEL, 12-PORT, WALL MOUNT, WIRED T568A/B	5EPP12V-S
CAT5E (1U, 24-PORT)	CAT5E, 110-TYPE, PATCH PANEL, 24-PORT, 1U, WIRED T568A/B	5EPP24-S
CAT5E (2U, 48-PORT)	CAT5E, 110-TYPE, PATCH PANEL, 48-PORT, 1U, WIRED T568A/B	5EPP48-S
UTP CMR / CMP CABLES	DESCRIPTION	PART NUMBER
CAT5E (CMR)	24AWG 4PR 350MHZ CMR - 10 COLORS - REELEX II	5E04URXX
CAT5E (CMP)	24AWG 4PR 350MHZ CMP - 7 COLORS - RIB / REELEX II	5E04UPXX



PROOF OF PERFORMANCE

NOTE:
 Test parameters such as values and conditions varies.
 Results beyond 100MHz for reference only.

CAT5E KEYSTONE JACKS [HDJ SERIES]



FEATURES

- 110-TYPE, 8P8C (RJ-45), T568A/B WIRING
- Component-rated performance
- 180-degree configuration for fast punch down
- Meet and exceeds ANSI/TIA-568-C requirements
- UL listed

ORDERING INFORMATION

PART#	DESCRIPTION	COLOR	PACKAGE
HD-5EKSJXX	CAT5E, HD Series, UTP, 110-Type, 8P8C (RJ-45),T568A/B		SINGLE PACK
HD-5EKSJBL-25PK	CAT5E, HD Series, UTP, 110-Type, 8P8C (RJ-45),T568A/B		25-PACK
HD-5EKSJWH-25PK	CAT5E, HD Series, UTP, 110-Type, 8P8C (RJ-45),T568A/B		25-PACK

CAT5E KEYSTONE JACKS [SDJ SERIES]



FEATURES

- 110-TYPE, 8P8C (RJ-45), T568A/B WIRING
- Supports 10G data applications
- 90-degree configuration for fast punch down
- Meet and exceeds ANSI/TIA-568-C requirements
- UL listed

ORDERING INFORMATION

PART#	DESCRIPTION	COLOR	PACKAGE
5EKSJXX-S	CAT5E, UTP, 110-Type, 8P8C (RJ-45),T568A/B		SINGLE PACK
5EKSJBL-SPK	CAT5E, UTP, 110-Type, 8P8C (RJ-45),T568A/B		25-PACK
5EKSJWH-SPK	CAT5E, UTP, 110-Type, 8P8C (RJ-45),T568A/B		25-PACK

CAT6 KEYSTONE STYLE FEEDTHROUGH COUPLERS



FEATURES

- Snap-In keystone style, RJ-45-to-RJ-45 connections
- Accepts standard keystone port openings
- Component-rated performance
- Ideal for extending network cables
- Compatible with CAT5E & CAT6 cables

ORDERING INFORMATION

PART#	DESCRIPTION	COLOR	PACKAGE
6KSCBK1-S	CAT6, UTP, (RJ-45/RJ-45), SNAP-IN COUPLER	Black	SINGLE PACK
6KSCWH1-S	CAT6, UTP, (RJ-45/RJ-45), SNAP-IN COUPLER	White	SINGLE PACK
6KSCBK25-S	CAT6, UTP, (RJ-45/RJ-45), SNAP-IN COUPLER	Black	25-PACK
6KSCWH25-S	CAT6, UTP, (RJ-45/RJ-45), SNAP-IN COUPLER	White	25-PACK

HDMI KEYSTONE STYLE FEEDTHROUGH COUPLERS



FEATURES

- HDMI-to-HDMI keystone style feedthrough
- Accepts standard keystone port openings
- Ideal for coupling multiple HDMI cables

ORDERING INFORMATION

PART#	DESCRIPTION	COLOR	PACKAGE
WHDMI-WH-E	HDMI KEYSTONE STYLE FEEDTHROUGH	White	SINGLE PACK

BNC 75 OHM KEYSTONE STYLE MODULES



FEATURES

- Compatible with faceplates, blank patch panels and SMBs
- Female-to-female BNC feedthrough connector
- 75 ohm impedance, nickel-plated finish

ORDERING INFORMATION

PART#	DESCRIPTION	COLOR	PACKAGE
KSJBNC75-XX	75 OHM, NICKEL PLATED FEMALE-TOFEMALE	White	SINGLE PACK

SNAP-IN F-TYPE GOLD & NICKEL PLATED 3GHZ F/F KEYSTONE INSERT MODULES



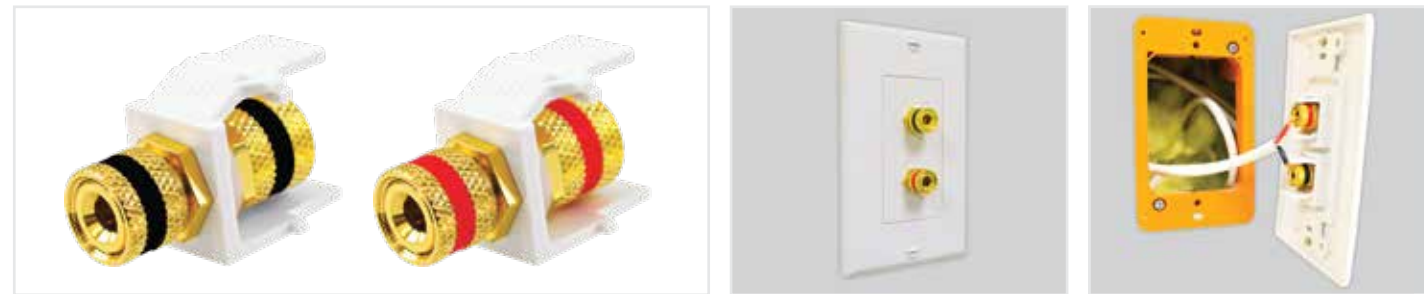
FEATURES

- Snap-in keystone style compatible with faceplates, blank patch panels and surface mount boxes
- 3GHZ gold-plated and nickel plated ideal for CATV, SATV, Antennas and other video applications
- Use with coaxial cable terminated with an F-connector
- Screw-on front and rear connections

ORDERING INFORMATION

PART#	DESCRIPTION	COLOR	PACKAGE
FTK-3GHZGP-XX	SNAP-IN, F-TYPE GOLD PLATED 3GHZ, F/F KEYSTONE INSERT MODULES	Gold	SINGLE PACK
FTK-3GHZNP-XX	SNAP-IN, F-TYPE NICKEL PLATED 3GHZ, F/F KEYSTONE INSERT MODULES	Nickel	SINGLE PACK
FTK-3GHZGP-XX-SPK	F-TYPE SNAP-IN KEYSTONE, 3GHZ, GOLD PLATED	Gold	25-PACK
FTK-3GHZNP-XX-SPK	F-TYPE SNAP-IN KEYSTONE, 3GHZ, NICKEL PLATED	Nickel	25-PACK

GOLD-PLATED AND NICKEL PLATED SPEAKERS BINDING POST MODULES



FEATURES

- Ideal for banana plugs, speaker tips, spade tips or bare wire
- Compatible with faceplates, blank patch panels and SMBs
- Packaged in pair red & black color code
- Designed for premium audio speaker connections
- Use with banana jacks and standard speaker wire up to 12 gauge
- Gold-plated female-to-female connectors provide a professional look

ORDERING INFORMATION

PART#	DESCRIPTION	COLOR	PACKAGE
KSBP-BRPAIR-WH	GOLD-PLATED BINDING POST FOR AUDIO SPEAKERS, RED/BLACK PAIR	Gold	SINGLE PACK
KSBP-BRPAIR-IV	GOLD-PLATED BINDING POST FOR AUDIO SPEAKERS, RED/BLACK PAIR	Nickel	SINGLE PACK

FLUSH MOUNTING STYLE FACEPLATES



FACEPLATE FEATURES

- Flush mount single gang
- 1-6 Ports with color-matched screws
- Fits standard rectangular NEMA openings
- Available in single and 25-packs
- Single & double gang
- Flush mount design for professional aesthetic look
- Matte finish with rugged and durable construction

ORDERING INFORMATION

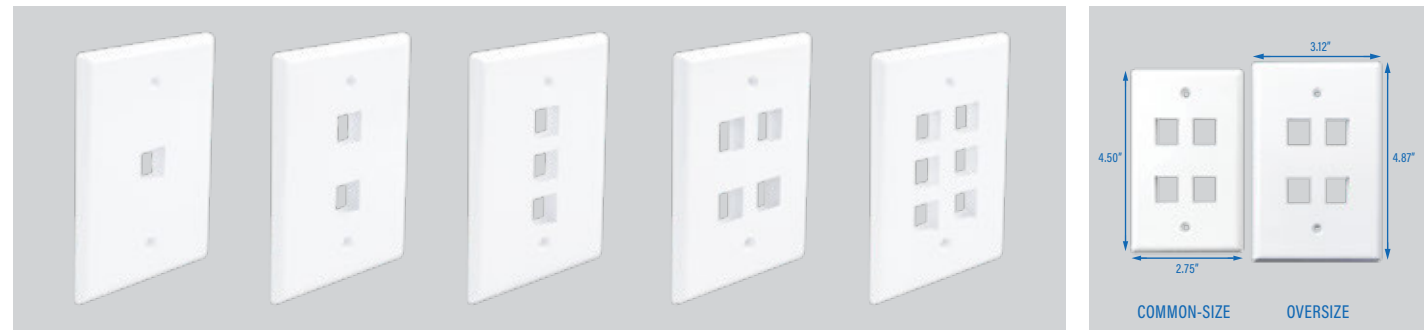
PART#	DESCRIPTION	COLOR	PACKAGE
FP01PXX-S	1-PORT SINGLE GANG, FLUSH STYLE		SINGLE PACK
FP02PXX-S	2-PORT SINGLE GANG, FLUSH STYLE		SINGLE PACK
FP03PXX-S	3-PORT SINGLE GANG, FLUSH STYLE		SINGLE PACK
FP04PXX-S	4-PORT SINGLE GANG, FLUSH STYLE		SINGLE PACK
FP06PXX-S	6-PORT SINGLE GANG, FLUSH STYLE		SINGLE PACK
FP00PXX-S	SINGLE GANG, FLUSH STYLE, BLANK FACEPLATE		SINGLE PACK
FP00DGXX-S	DOUBLE GANG, FLUSH STYLE, BLANK FACEPLATE		SINGLE PACK
FP00BXX-S	FACEPLATE BLANK MODULE		10-PACK
FP01PXX-SPK	1-PORT SINGLE GANG, FLUSH STYLE		25-PACK
FP02PXX-SPK	2-PORT SINGLE GANG, FLUSH STYLE		25-PACK
FP03PXX-SPK	3-PORT SINGLE GANG, FLUSH STYLE		25-PACK
FP04PXX-SPK	4-PORT SINGLE GANG, FLUSH STYLE		25-PACK
FP06PXX-SPK	6-PORT SINGLE GANG, FLUSH STYLE		25-PACK



Gold Plating Or **BUST!**

Pure Gold is non corrosive, highly conductive, and durable. Don't settle for inferior, low micron, "flash plated" jacks that wear out over time. Get the THICKEST Gold Plating for a faster, reliable, and steadier connection, with up to 4 times the throughput.

OVERSIZED FLUSH MOUNTING STYLE FACEPLATES



FEATURES

- 1-6 Ports with color-matched screws
- Offers greater coverage to hide wall irregularities
- Flush mount design for professional aesthetic look
- Glossy finish with rugged and durable construction
- Fits standard rectangular NEMA openings

ORDERING INFORMATION

PART#	DESCRIPTION	COLOR	PACKAGE
OSWP01XX	1-PORT SINGLE GANG, FLUSH STYLE, OVERSIZED, PLASTIC		SINGLE PACK
OSWP02XX	2-PORT SINGLE GANG, FLUSH STYLE, OVERSIZED, PLASTIC		SINGLE PACK
OSWP03XX	3-PORT SINGLE GANG, FLUSH STYLE, OVERSIZED, PLASTIC		SINGLE PACK
OSWP04XX	4-PORT SINGLE GANG, FLUSH STYLE, OVERSIZED, PLASTIC		SINGLE PACK
OSWP06XX	6-PORT SINGLE GANG, FLUSH STYLE, OVERSIZED, PLASTIC		SINGLE PACK

FLUSH MOUNTING STYLE W/ ID WINDOW LABEL FACEPLATES



FEATURES

- Identification windows with enclosed labels and clear plastic covers
- 1-6 Ports with color-matched screws
- Single-gang accepts standard metal or plastic outlet boxes
- Matte finish with rugged and durable construction
- Fits standard rectangular NEMA openings

ORDERING INFORMATION

PART#	DESCRIPTION	COLOR	PACKAGE
FPW1PXX-S	1-PORT SINGLE GANG, FLUSH STYLE, W/ WINDOW LABELS		SINGLE PACK
FPW2PXX-S	2-PORT SINGLE GANG, FLUSH STYLE, W/ WINDOW LABELS		SINGLE PACK
FPW3PXX-S	3-PORT SINGLE GANG, FLUSH STYLE, W/ WINDOW LABELS		SINGLE PACK
FPW4PXX-S	4-PORT SINGLE GANG, FLUSH STYLE, W/ WINDOW LABELS		SINGLE PACK
FPW6PXX-S	6-PORT SINGLE GANG, FLUSH STYLE, W/ WINDOW LABELS		SINGLE PACK

FLUSH MOUNTING STYLE STAINLESS STEEL FACEPLATES



FEATURES

- Brushed stainless steel finish to provide corrosion resistant
- Suitable for durability and sanitary environment requirements
- Ideal for residential and commercial applications
- Flush mounting style for seamless aesthetic look

ORDERING INFORMATION

PART#	DESCRIPTION	COLOR	PACKAGE
SSFP-01P-S	1-PORT SINGLE GANG, STAINLESS STEEL, W/O WINDOW LABEL FACEPLATE	■	SINGLE PACK
SSFP-02P-S	2-PORT SINGLE GANG, STAINLESS STEEL, W/O WINDOW LABEL FACEPLATE	■	SINGLE PACK
SSFP-03P-S	3-PORT SINGLE GANG, STAINLESS STEEL, W/O WINDOW LABEL FACEPLATE	■	SINGLE PACK
SSFP-04P-S	4-PORT SINGLE GANG, STAINLESS STEEL, W/O WINDOW LABEL FACEPLATE	■	SINGLE PACK
SSFP-06P-S	6-PORT SINGLE GANG, STAINLESS STEEL, W/O WINDOW LABEL FACEPLATE	■	SINGLE PACK
SSFP-06P-D	6-PORT DOUBLE GANG, STAINLESS STEEL, W/O WINDOW LABEL FACEPLATE	■	SINGLE PACK
SSFP-012P-D	12-PORT DOUBLE GANG, STAINLESS STEEL, W/O WINDOW LABEL FACEPLATE	■	SINGLE PACK

TELEPHONE WALL PLATES PLASTIC & STAINLESS STEEL



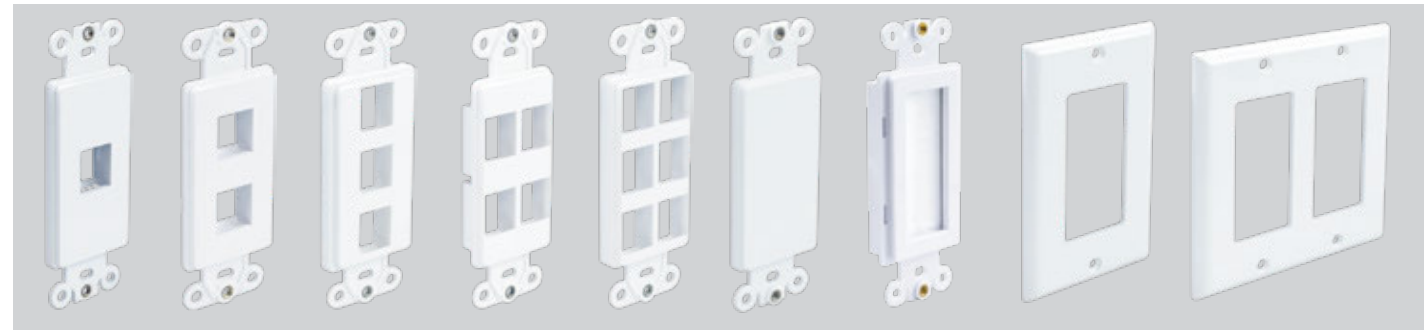
FEATURES

- Designed to wall mount telephone on wall
- Compatible with universal modular keystone jacks
- Rivets feature support variety of wall mount telephones
- Recessed feature fits cleanly with slide-rail mechanisms
- Brushed stainless steel or ABS plastic finish

ORDERING INFORMATION

PART#	DESCRIPTION	COLOR	PACKAGE
WPP01WH	1-PORT SINGLE GANG, TELEPHONE WALL PLATE, PLASTIC	□	SINGLE PACK
WPP01SS	1-PORT SINGLE GANG, TELEPHONE WALL PLATE, STAINLESS STEEL	■	SINGLE PACK

DECORA INSERTS & WALLPLATES



FEATURES

- Supports keystone Inserts, with most combinations compatible
- Fits decorator style single-gang and double-gang faceplates
- Contemporary style ideal for residential or commercial installations
- Glossy finish with rugged and durable construction

ORDERING INFORMATION

PART#	DESCRIPTION	COLOR	PACKAGE
DWIN-1P-XX	DECORA INSERT 1-PORT	□	SINGLE PACK
DWIN-2P-XX	DECORA INSERT 2-PORT	□	SINGLE PACK
DWIN-3P-XX	DECORA INSERT 3-PORT	□	SINGLE PACK
DWIN-4P-XX	DECORA INSERT 4-PORT	□	SINGLE PACK
DWIN-6P-XX	DECORA INSERT 6-PORT	□	SINGLE PACK
DWIN-BR-WH	DECORA BRUSH, PASS-THROUGH	□	SINGLE PACK
DWPBI-XX	DECORA WALL PLATE INSERT BLANK	□	SINGLE PACK
DWP1G-XX	DECORA WALL PLATE, SINGLE-GANG	□	SINGLE PACK
DWP2G-XX	DECORA WALL PLATE, DOUBLE-GANG	□	SINGLE PACK

2-PORTS PRE-CONFIGURED FACEPLATE



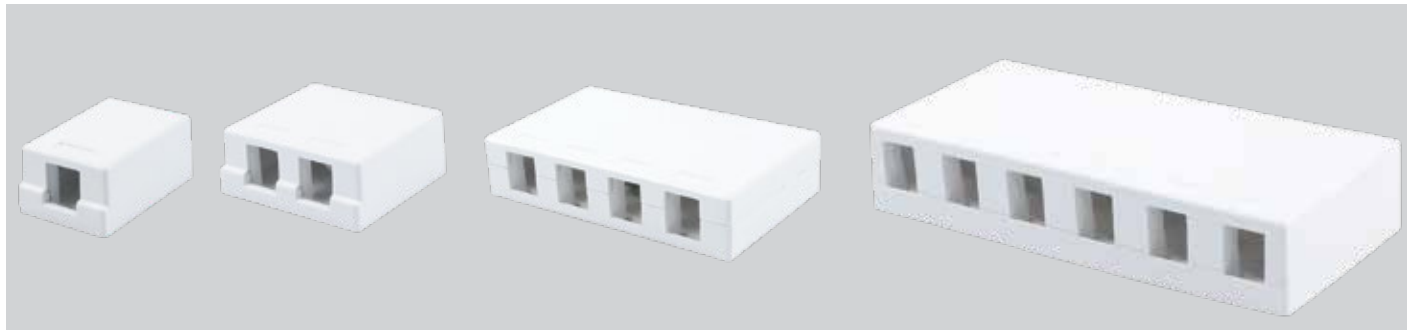
FEATURES

- 1-PORT CAT6 & 1-PORT 3GHZ F-TYPE faceplate
- UL Listed & Compliant with ANSI/TIA-568-C.2
- Convenience one-piece build in CAT6 data and 3Ghz video ports
- 110-IDC punch down style for performance and reliability

ORDERING INFORMATION

PART#	DESCRIPTION	COLOR	PACKAGE
1CAT61F-WH	1-PORT CAT6, 1-PORT 3GHZ F-TYPE FACEPLATE	□	SINGLE PACK

SURFACE MOUNT BOXES



FEATURES

- 1/2/4/6-PORT, Unloaded, Configurable
- Suitable for surface mounting applications
- Compatible with modular keystone connectors
- Includes two self-tapping screws and double-sided adhesive tape

ORDERING INFORMATION

PART#	DESCRIPTION	COLOR	PACKAGE
SMB-1XX-S	1-PORT SURFACE MOUNT BOX W/ COVER & BASE, ADHESIVE STRIP & MOUNTING SCREWS	White	SINGLE PACK
SMB-2XX-S	2-PORT SURFACE MOUNT BOX W/ COVER & BASE, ADHESIVE STRIP & MOUNTING SCREWS	White	SINGLE PACK
SMB-4XX-S	4-PORT SURFACE MOUNT BOX W/ COVER & BASE, ADHESIVE STRIP & MOUNTING SCREWS	White	SINGLE PACK
SMB-6XX-S	6-PORT SURFACE MOUNT BOX W/ COVER & BASE, ADHESIVE STRIP & MOUNTING SCREWS	White	SINGLE PACK



2 Post Floor Rack

New lightweight, open frame server rack by WAVENET

A perfect, cost effective solution for supporting rack mountable network equipments

- Constructed of high grade 6063-T6 Aluminum
- 45 RMS, 7 feet rack can support up to 1000 lbs when properly loaded and floor anchored
- Used with industry 19" wide equipment
- Meet or exceed EIA 310 D Standards
- #12 24 panel mounting holes
- Large, RMU numbered marking for consistent equipment installation



CAT6A 110-TYPE PATCH PANELS



FEATURES

- Meet requirements specified TIA/EIA-568-C.2 Category 6A connecting hardware
- [1U/24-ports, 1U/48-ports], 110-TYPE, T568A/B wiring
- Hinged windows style with white labels
- Includes rear cable management bar
- UL listed
- Meet and exceeds ANSI/TIA-568-C requirements
- Vertical 110-Type termination minimize Alien Cross talk (AXT)
- Ideal for high bandwidth 10G application

ORDERING INFORMATION

PART#	U SIZE	DESCRIPTION	PACKAGE
6APP24-S	1U	CAT6A, 110-TYPE, 24-PORT, T568A/B, W/REAR CMGT, BAR	SINGLE PACK
6APP48-S	1U	CAT6A, 110-TYPE, 48-PORT, T568A/B, W/REAR CMGT, BAR	SINGLE PACK

CAT6 110-TYPE PATCH PANELS



FEATURES

- 12-PORT, Wall mount, T568A/B wiring, Wall mountable w/ 89D bracket
- [1U/24-ports, 2U/48-ports], 110-TYPE, T568A/B wiring, Hinged windows style w/ white labels, Includes rear cable management bar
- Meet and exceeds ANSI/TIA-568-C requirements
- UL listed

ORDERING INFORMATION

PART#	U SIZE	DESCRIPTION	PACKAGE
6EPP12V-S	WALL MOUNT	CAT6, 110-TYPE, 12-PORT, T568A/B, WALL MOUNT	SINGLE PACK
6EPP24-S	1U	CAT6, 110-TYPE, 24-PORT, T568A/B	SINGLE PACK
6EPP48-S	2U	CAT6, 110-TYPE, 48-PORT, T568A/B	SINGLE PACK

CAT5E 110-TYPE PATCH PANELS



FEATURES

- 12-PORT, Wall mount, T568A/B wiring, Wall mountable w/ 89D bracket, T568A/B wiring
- [1U/24-ports, 2U/48-ports], T568A/B wiring, Hinged windows style w/ white labels, Includes rear cable management bar
- Meet and exceeds ANSI/TIA-568-C requirements
- UL listed

ORDERING INFORMATION

PART#	U SIZE	DESCRIPTION	PACKAGE
5EPP12V-S	WALL MOUNT	CAT5E, 110-TYPE, 12-PORT, T568A/B, WALL MOUNT	SINGLE PACK
5EPP24-S	1U	CAT5E, 110-TYPE, 24-PORT, T568A/B, 1U	SINGLE PACK
5EPP48-S	2U	CAT5E, 110-TYPE, 48-PORT, T568A/B, 2U	SINGLE PACK

ANGLED BLANK PATCH PANELS



FEATURES

- Angled design saves rack space by routing patch cords directly into vertical cable managers
- Accommodates [1U/24-ports, 1U/48-ports] keystone style snap-in modular connectors
- Include rear cable management bar for proper cable support
- Numbered ports with write-on or label areas
- Fits standard 19" racks, cabinets and brackets
- Configurable with various modular keystone connectors

ORDERING INFORMATION

PART#	U SIZE	DESCRIPTION	PACKAGE
ABP1U-24P	1U	24-PORT 1U ANGLED BLANK PATCH PANEL W/REAR CABLE MANAGEMENT BAR	SINGLE PACK
ABP1U-48P	1U	48-PORT 1U ANGLED BLANK PATCH PANEL W/REAR CABLE MANAGEMENT BAR	SINGLE PACK

BLANK PATCH PANELS



FEATURES

- 12-PORT, Blank, Wall mount, Ideal for multi-media applications, Compatible with keystone style connectors
- 1U, 24-PORT, Blank, w/ labeling areas, Ideal for multi-media applications, Compatible with keystone style connectors
- 2U, 48-PORT, Blank, w/ labeling areas, Ideal for multi-media applications, Compatible with keystone style connectors

ORDERING INFORMATION

PART#	U SIZE	DESCRIPTION	PACKAGE
BPPWM-12	WALL MOUNT	12-PORT, BLANK PATCH PANEL, WALL MOUNT W/ ROTABLE MODULES	SINGLE PACK
BPPWM-24	1U	24-PORT, U/FTP BLANK PATCH PANEL W/ GROUNING WIRE & REAR MGNT. BAR, RACK MOUNT	SINGLE PACK
BPPWM-48	2U	48-PORT, U/FTP BLANK PATCH PANEL W/ GROUNING WIRE & REAR MGNT. BAR, RACK MOUNT	SINGLE PACK

CAT6A/6/5E PATCH CORDS



CAT6A FEATURES

- 100% Copper Wire, EIA/TIA TSB-40A ETL verified
- LENGTH(XX) 6 inch and rest in feet
1,2,3,5,6,7,10,14,15,20,25,30,35 in blue only, 50,75,100

CAT6 FEATURES

- 100% Copper Wire, EIA/TIA TSB-40A ETL verified
- LENGTH(XX) 6 inch and rest in feet
1,2,3,5,6,7,10,14,15,20,25,30,35 in blue only, 50,75,100

CAT5E FEATURES

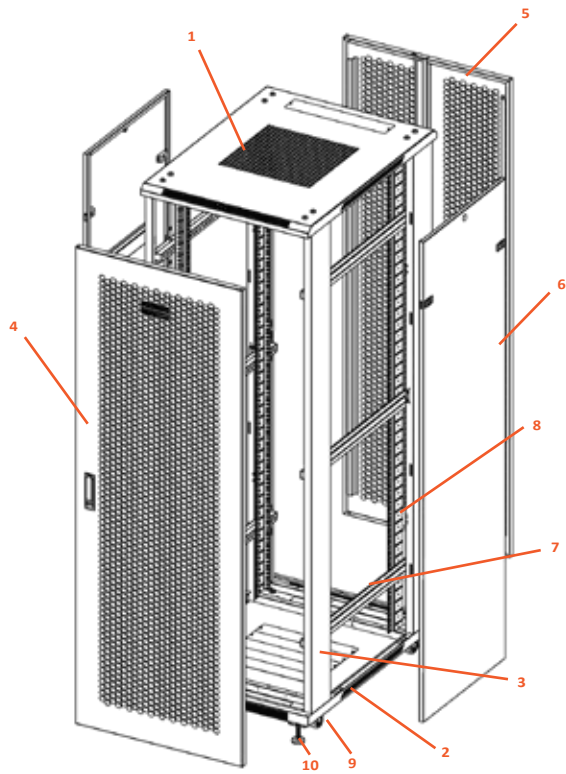
- 100% Copper Wire, EIA/TIA TSB-40A ETL verified
- LENGTH(XX) 6 inch and rest in feet
1,2,3,5,7,10,14,15,25,35,50,75,100

ORDERING INFORMATION

PART#	DESCRIPTION	COLOR	PACKAGE
6A04UMXX-PC-XX	CAT6A 10G UTP SNAGLESS MOLDED BOOT PATCH CORD,100% BARE COPPER, RJ-45-TO-RJ-45 WITH 50-MICRON GOLD-PLATED CONTACTS, WIRED T568B		SINGLE PACK
6E04UMXX-PC-XX	CAT6 UTP SNAGLESS MOLDED BOOT PATCH CORD,100% BARE COPPER, RJ-45-TO-RJ-45 WITH 50-MICRON GOLD-PLATED CONTACTS, WIRED T568B		SINGLE PACK
5E04UMXX-PC-XX	CAT5E UTP SNAGLESS MOLDED BOOT PATCH CORD,100% BARE COPPER, RJ-45-TO-RJ-45 WITH 50-MICRON GOLD-PLATED CONTACTS, WIRED T568B		SINGLE PACK

27U/42U STANDING SERVER CABINETS

27U/42U STANDING SERVER CABINETS



COMPONENT	NAME	QUANTITY
1	TOP COVER	1
2	BOTTOM PANEL	1
3	DOOR FRAME	2
4	PERFORATED STEEL FRONT DOOR	1
5	REAR DOOR	1
6	SIDE PANEL	2
7	HORIZONTAL BEAM	6
8	VERTICAL RAIL	4
9	CASTOR (2 W/ BRAKE)	4
10	LEVELLING FEET	4



OVERVIEW

Wavenet 6U, 9U, 12U, 15U, 18U, 27U and 42U wall mount and floor standing cabinets are designed for data, voice, A/V servers, storage and networking equipment in enterprise data centers, telecommunication rooms and other network facilities such as main distribution frame (MDF) and intermediate distribution frame (IDF) applications.

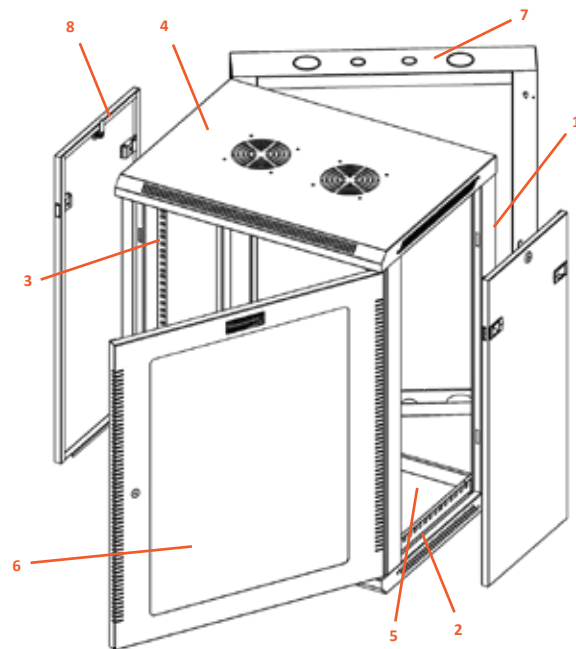
Our design is packed with some of the most popular cabinet features for most economical price points. They are built with 24" depth (Wall Mount), 32" and 40" depth (Floor Standing), these Server Cabinets are suitable for network servers, battery backups, switching banks, and other larger network equipment.

These cabinets features laser cut knockouts allowing to conduit installs and removable protective rubber grommets provide for numerous cable routing options.

ORDERING INFORMATION

PART#	U SIZE	WIDTH	HEIGHT	DEPTH	USABLE DEPTH	LOAD CAPACITY	FAN	RAILS
CBTF-FL27U-32SW	27U	23.6"	54.4"	31.5"	27.0"	1764 LBS.	1 TRAY WITH 4 FANS	#12-24 STANDARD
CBTF-FL42U-32SW	42U	23.6"	80.9"	31.5"	27.0"	1764 LBS.		M6 CAGE NUT
CBTF-FL27U-40SW	27U	23.6"	54.4"	39.4"	35.0"	1764 LBS.		
CBTF-FL42U-40SW	42U	23.6"	80.9"	39.4"	35.0"	1764 LBS.		

6U/9U/12U/15U/18U WALL MOUNT CABINETS

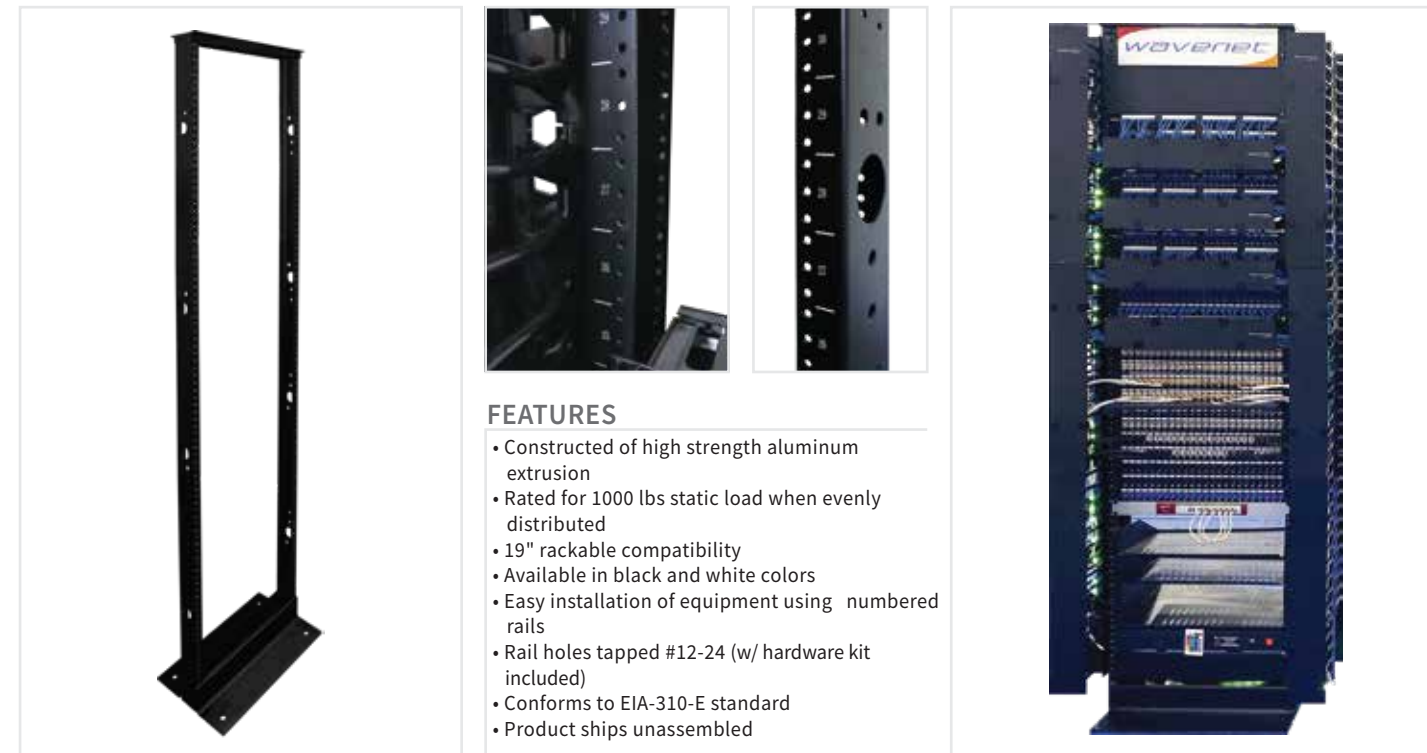


COMPONENT	NAME	QUANTITY
1	FRAME	1
2	HORIZONTAL BRACKET	4
3	VERTICAL RAIL	2
4	TOP COVER	1
5	BOTTOM PANEL	1
6	TEMPERED GLASS FRONT DOOR	1
7	REAR SWING FRAME	1
8	SIDE PANEL	2

ORDERING INFORMATION

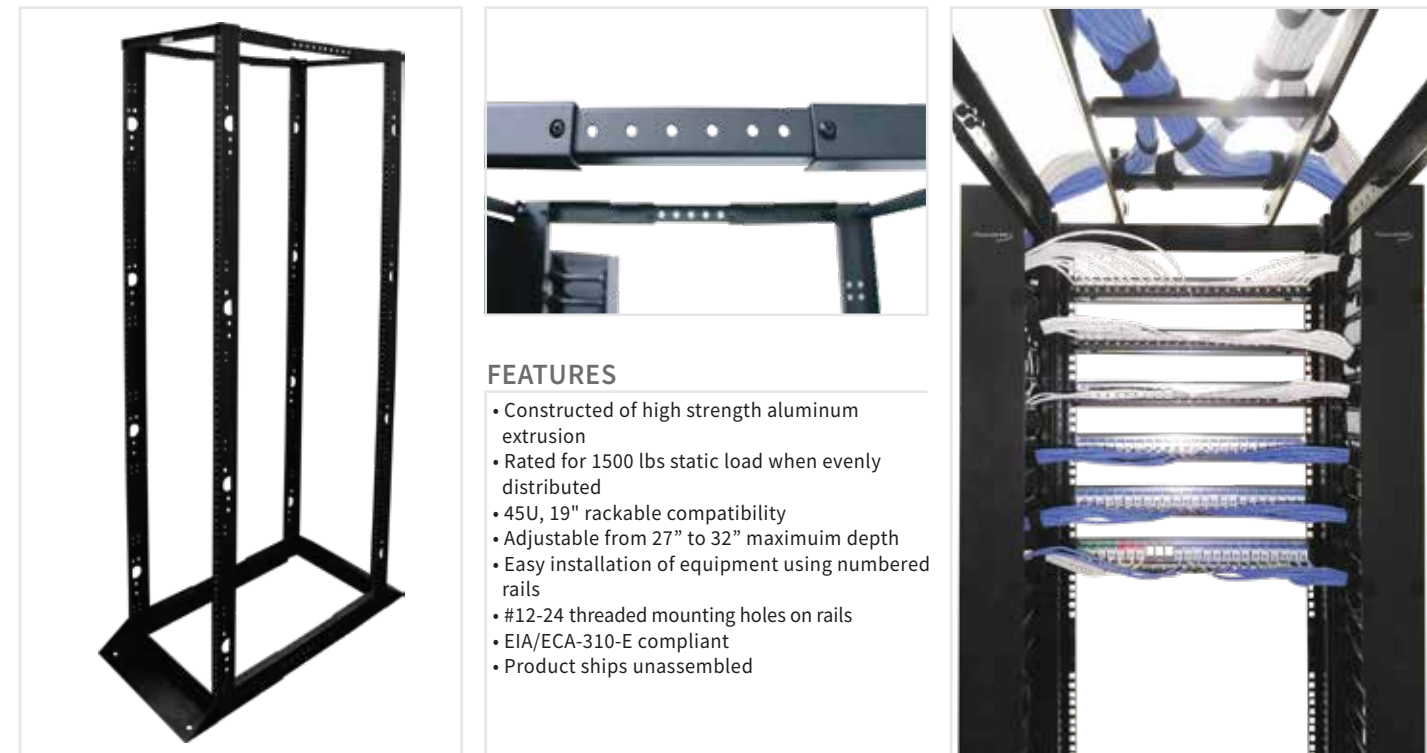
PART#	U SIZE	WIDTH	HEIGHT	DEPTH	USABLE DEPTH	LOAD CAPACITY	FAN	RAILS
CBTF-WM6U-SW	6U	23.6"	14.6"	23.6"	18.0"	132 LBS.	1	#12-24 OR #10-32
CBTF-WM9U-SW	9U	23.6"	19.8"	23.6"	18.0"	132 LBS.	1	
CBTF-WM12U-SW	12U	23.6"	25.2"	23.6"	18.0"	150 LBS.	1	
CBTF-WM15U-SW	15U	23.6"	30.3"	23.6"	18.0"	150 LBS.	1	
CBTF-WM18U-SW-1032	18U	23.6"	35.6"	23.6"	18.0"	150 LBS.	1	

2-POST & 4-POST OPEN FRAME FLOOR RACKS



FEATURES

- Constructed of high strength aluminum extrusion
- Rated for 1000 lbs static load when evenly distributed
- 19" rackable compatibility
- Available in black and white colors
- Easy installation of equipment using numbered rails
- Rail holes tapped #12-24 (w/ hardware kit included)
- Conforms to EIA-310-E standard
- Product ships unassembled



FEATURES

- Constructed of high strength aluminum extrusion
- Rated for 1500 lbs static load when evenly distributed
- 45U, 19" rackable compatibility
- Adjustable from 27" to 32" maximum depth
- Easy installation of equipment using numbered rails
- #12-24 threaded mounting holes on rails
- EIA/ECA-310-E compliant
- Product ships unassembled

ORDERING INFORMATION

PART#	U SIZE	DESCRIPTION	LOAD CAPACITY
2POST-45U	45U	7', ALUMINUM, #12-24 THREADED MOUNTING HOLES, NUMBER MARKING ON RAILS, EIA/ECA-310-E (REVISION OF EIA-310-D) COMPLIANT, MADE IN USA	1000 LBS.
4POST-45U	45U	7', STEEL, #12-24 THREADED MOUNTING HOLES, NUMBER MARKING ON RAILS, ADJUSTABLE DEPTH, EIA/ECA-310-E (REVISION OF EIA-310-D) COMPLIANT	1500 LBS.

8U/15U/30U OPEN FRAME WALL RACKS



FEATURES

- 8U / 15U / 30U, 18" deep, Rack mount unit (RMU) number markings on rails
- 18" depth, Compatible with 19" wide equipment
- Two-piece design with cable tie points slots
- 12-24 tapped rails and 19" wide EIA compliant
- Up to 150 lb. weight capacity
- Suitable for wall mount or floor restricted areas

ORDERING INFORMATION

PART#	U SIZE	DESCRIPTION	LOAD CAPACITY
WMR-8U-SW	8U	18" DEEP, RMU NUMBER MARKINGS ON RAILS	110 LBS.
WMR-15U-SW	15U	18" DEEP, RMU NUMBER MARKINGS ON RAILS	130 LBS.
WMR-30U-SW	30U	18" DEEP, RMU NUMBER MARKINGS ON RAILS	150 LBS.

6U/9U/12U/15U WALL MOUNT CABINET RAIL KITS



FEATURES

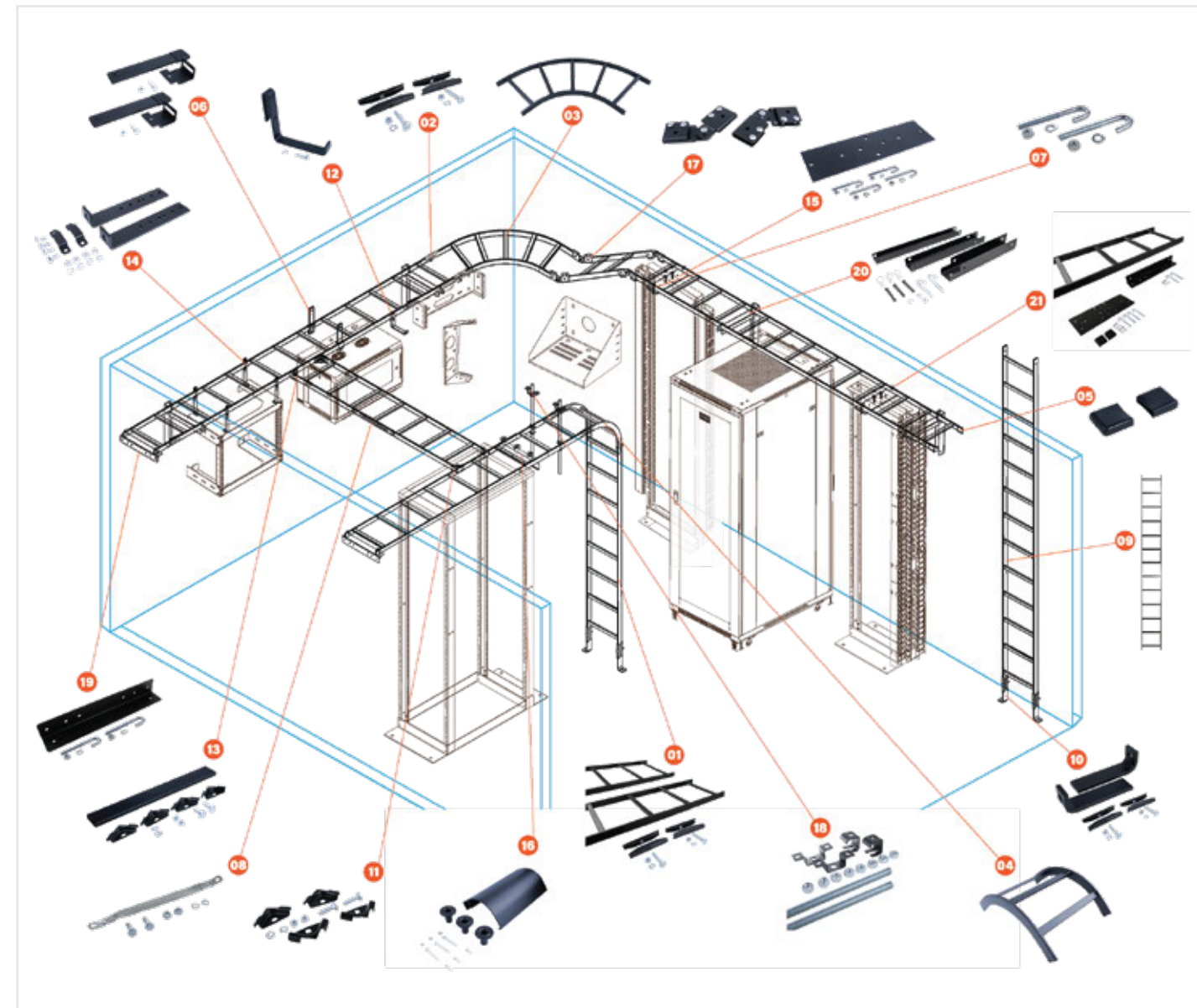
- Threaded: #10-32
- Material: 11 Gauge (1/8" thick) Cold Rolled Steel
- Finish: Black Powder Coat

ORDERING INFORMATION

PART#	U SIZE	DESCRIPTION	PACKAGE
6URAIL-1032	6U	#10-32 RAILS KIT, 2PCS., W/4PCS. MOUNTING SCREWS & 12PCS. #10-32 SCREWS	SINGLE
9URAIL-1032	9U	#10-32 RAILS KIT, 2PCS., W/4PCS. MOUNTING SCREWS & 12PCS. #10-32 SCREWS	SINGLE
12URAIL-1032	12U	#10-32 RAILS KIT, 2PCS., W/4PCS. MOUNTING SCREWS & 12PCS. #10-32 SCREWS	SINGLE
15URAIL-1032	15U	#10-32 RAILS KIT, 2PCS., W/4PCS. MOUNTING SCREWS & 12PCS. #10-32 SCREWS	SINGLE

LADDER RACK CABLE RUNWAY SYSTEM

Selection Guide for Cable Runway, Cabinets, Cable Management, Racks, Brackets and Accessory Solutions



PRODUCTS INFORMATION

NO.	DESCRIPTION	PART#	NO.	DESCRIPTION	PART#
01	5' LADDER RACK RUNWAY W/ BUTT-SPLICE KIT	WL-5SS2PC-KIT	12	L BRACKET - CABLE RUNWAY	WL-RA5LB-BK
02	BUTT-SPLICE KIT	WL-BSKTPR-BK	13	LADDER TERMINATION KIT	WL-RA12TK-BK
03	RADIUS HORIZONTAL BEND LADDER	WL-FT9012-BK	14	STAND-OFF ELEVATION KIT 4" - 6"	WL-RA46SK-BK
04	UNIVERSAL RADIUS BEND LADDER	WL-IR9012-BK	15	RACK TO RUNWAY PLATE	WL-RA123RP-BK
05	LADDER RACK END CAP	WL-LRA2EC-BK	16	CABLE RADIUS DROP	WL-RASD-BK1
06	RETAINING POST KIT	WL-LRA06RPK-BK	17	BUTT SPLICE KIT - SWIVEL/ADJUSTABLE	WL-RASSK-BK
07	J-BOLT KIT (5/16")	WL-LRA300JK	18	CEILING MOUNT KIT 5/8"	WL-RATRCK-BK
08	GROUNDING STRAP WITH HARDWARE	WL-LRAGK	19	WALL ANGLE SUPPORT BRACKET	WL-WASB12-BK
09	CABLE RUNWAY 10 FOOT	WL-LR1210-BK	20	TRIANGLE WALL SUPPORT	WL-WSB12-BK
10	FLOOR MOUNT BRACKET	WL-RA2FA-BK	21	5' LADDER RACK RUNWAY BRACKET KIT	WL-R1205-KIT
11	T-JUNCTION BRACKET KIT	WL-RA2JT-BK			

LADDER RACK CABLE RUNWAY SYSTEM

<p>5' LADDER RACK RUNWAY W/ BUTT-SPLICE KIT</p>  <p>WL-5SS2PC-KIT</p>	<p>BUTT-SPLICE KIT</p>  <p>WL-BSKTPR-BK</p>	<p>RADIUS HORIZONTAL BEND LADDER</p>  <p>WL-FT9012-BK</p>
<p>UNIVERSAL RADIUS BEND LADDER</p>  <p>WL-IR9012-BK</p>	<p>CABLE RUNWAY 10 FOOT</p>  <p>WL-LR1210-BK</p>	<p>LADDER RACK END CAP</p>  <p>WL-LRA2EC-BK</p>
<p>RETAINING POST KIT</p>  <p>WL-LRA06RPK-BK</p>	<p>J-BOLT KIT (5/16")</p>  <p>WL-LRA300JK</p>	<p>GROUNDING STRAP WITH HARDWARE</p>  <p>WL-LRAGK</p>
<p>FLOOR MOUNT BRACKET</p>  <p>WL-RA2FA-BK</p>	<p>T-JUNCTION BRACKET KIT</p>  <p>WL-RA2JT-BK</p>	<p>L BRACKET - CABLE RUNWAY</p>  <p>WL-RA5LB-BK</p>
<p>LADDER TERMINATION KIT</p>  <p>WL-RA12TK-BK</p>	<p>STAND-OFF ELEVATION KIT 4"- 6"</p>  <p>WL-RA46SK-BK</p>	<p>RACK TO RUNWAY PLATE</p>  <p>WL-RA123RP-BK</p>

LADDER RACK CABLE RUNWAY SYSTEM

<p>CABLE RADIUS DROP</p>  <p>WL-RASD-BK1</p>	<p>BUTT SPLICE KIT - SWIVEL/ADJUSTABLE</p>  <p>WL-RASSK-BK</p>	<p>CEILING MOUNT KIT 5/8"</p>  <p>WL-RATRCK-BK</p>
<p>WALL ANGLE SUPPORT BRACKET</p>  <p>WL-WASB12-BK</p>	<p>TRIANGLE WALL SUPPORT</p>  <p>WL-WSB12-BK</p>	<p>5' LADDER RACK RUNWAY BRACKET KIT</p>  <p>WL-R1205-KIT</p>

ORDERING INFORMATION

PART#	DESCRIPTION
WL-5SS2PC-KIT	5' LADDER RACK RUNWAY W/ BUTT-SPLICE KIT
WL-BSKTPR-BK	BUTT-SPLICE KIT
WL-FT9012-BK	RADIUS HORIZONTAL BEND LADDER
WL-IR9012-BK	UNIVERSAL RADIUS BEND LADDER
WL-LRA2EC-BK	LADDER RACK END CAP
WL-LRA06RPK-BK	RETAINING POST KIT
WL-LRA300JK	J-BOLT KIT (5/16")
WL-LRAGK	GROUNDING STRAP WITH HARDWARE
WL-LR1210-BK	CABLE RUNWAY 10 FOOT
WL-RA2FA-BK	FLOOR MOUNT BRACKET
WL-RA2JT-BK	T-JUNCTION BRACKET KIT
WL-RA5LB-BK	L BRACKET - CABLE RUNWAY
WL-RA12TK-BK	LADDER TERMINATION KIT
WL-RA46SK-BK	STAND-OFF ELEVATION KIT 4"- 6"
WL-RA123RP-BK	RACK TO RUNWAY PLATE
WL-RASD-BK1	CABLE RADIUS DROP
WL-RASSK-BK	BUTT SPLICE KIT - SWIVEL/ADJUSTABLE
WL-RATRCK-BK	CEILING MOUNT KIT 5/8"
WL-WASB12-BK	WALL ANGLE SUPPORT BRACKET
WL-WSB12-BK	TRIANGLE WALL SUPPORT
WL-R1205-KIT	5' LADDER RACK RUNWAY BRACKET KIT



FAST & RELIABLE DELIVERY SERVICE

Contact Us For More Details 1.888.492.8363

VERTICAL SINGLE-SIDED & DOUBLE-SIDED CABLE MANAGERS

METAL VERTICAL SINGLE-SIDED & DOUBLE-SIDED CABLE MANAGERS



FEATURES

- Single sided - 4" X 6" 78", w/ hinged covers
- Double sided - 4" X 12" 78", w/ hinged covers
- Large front and rear openings
- Dual hinged covers
- Smooth rear oval holes for easy front-to-back cable routing
- Flexible fingers ensure best cable bend radius
- Compatible with 2-Post or 4-Post racks
- Three sectional dual hinged covers for easy cable access

FEATURES

- Easy removable hinged cover(s) provides quick access to cable
- Attached vertically onto front or rear rails 2-Post and 4-Post open frame racks
- Available in single-sided and double-sided and measures 3.6" W x 3"D x H" 74"
- Integrated plastic cable rings for proper cable management
- Black powder coat finish

ORDERING INFORMATION

PART#	DEPTH	DESCRIPTION
VCMC-4678S-SW	4.5"	SINGLE-SIDED VERTICAL CABLE MANAGER, 4" X 4.5" 78", W/DUAL HINGED COVERS, LARGE FRONT AND REAR OPENINGS
VCMC-41278D-SW	9.0"	DOUBLE-SIDED VERTICAL CABLE MANAGER, 4" X 9.0" 78", W/ DUAL HINGED COVERS, LARGE FRONT AND REAR OPENINGS

ORDERING INFORMATION

PART#	DEPTH	DESCRIPTION
VCNB-3X3X74S	3"	VERTICAL CABLE MANAGEMENT CHANNEL SINGLE-SIDED, 3" X 3" X 74", W/ HINGED COVERS
VCNB-3X3X74D	6"	VERTICAL CABLE MANAGEMENT CHANNEL DOUBLE-SIDED, 3" X 6" X 74", W/ HINGED COVERS

HIGH-DENSITY SINGLE-SIDED HORIZONTAL CABLE MANAGERS



FEATURES

- Large slotted fingers design for high volume patch cords
- Cover comes with (4) hinges can be opened from top or bottom
- Rear openings for cable pass-through
- Measures 19" standard EIA width with 4.5" deep
- Back powder-coat textured finish
- Available in 1U/2U/3U

ORDERING INFORMATION

PART#	U SIZE	DESCRIPTION	PACKAGE
MDH-SSW-1U	1U	HORIZONTAL HIGH-DENSITY, SINGLE-SIDED CABLE MANAGER, DUAL HINGE	SINGLE
MDH-SSW-2U	2U	HORIZONTAL HIGH-DENSITY, SINGLE-SIDED CABLE MANAGER, DUAL HINGE	SINGLE
MDH-SSW-3U	3U	HORIZONTAL HIGH-DENSITY, SINGLE-SIDED CABLE MANAGER, DUAL HINGE	SINGLE

PLASTIC SINGLE & DOUBLE - SIDED HORIZONTAL CABLE MANAGERS



FEATURES

- Single-sided & double-sided, w/ cover, 1U/2U
- Large front finger openings
- Dual hinged covers

ORDERING INFORMATION

PART#	PART#	DESCRIPTION	PACKAGE
PDH-SSW-1U	1U	PLASTIC DUCT HORIZONTAL CABLE MANAGER, SINGLE-SIDED, W/COVER	SINGLE
PDH-SSW-2U	2U	PLASTIC DUCT HORIZONTAL CABLE MANAGER, SINGLE-SIDED, W/COVER	SINGLE
PDH-DSW-1U	1U	PLASTIC DUCT HORIZONTAL CABLE MANAGER, DOUBLE-SIDED, W/COVERS	SINGLE
PDH-DSW-2U	2U	PLASTIC DUCT HORIZONTAL CABLE MANAGER, DOUBLE-SIDED, W/COVERS	SINGLE

HORIZONTAL SINGLE SIDED METAL CABLE MANAGERS (MADE IN USA)



FEATURES

- Single-sided, 2U / 1U
- 4 / 5 horizontal rings for patch cords management
- Used with cabinets, brackets and racks
- Secure all types of low-voltage cables
- Large rings ideal for small to large cable bundles
- Black powder coat finish

ORDERING INFORMATION

PART#	U SIZE	DESCRIPTION	PACKAGE
HCM1901-4	1U	METAL FOUR(4) RINGS HORIZONTAL CABLE MANAGER, SINGLE-SIDED, MADE IN USA	SINGLE
HCM1902-4	2U	METAL FOUR(4) RINGS HORIZONTAL CABLE MANAGER, SINGLE-SIDED, MADE IN USA	SINGLE

REAR CABLE MANAGEMENT SUPPORT BARS (5-PACKS)



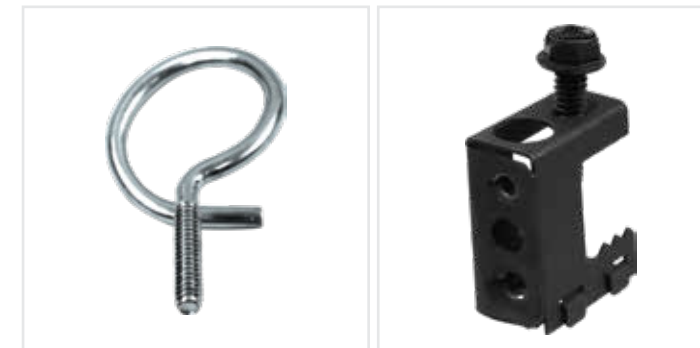
FEATURES

- 19" wide
- 5" depth rear cable management support bar
- 5-PACK

ORDERING INFORMATION

PART#	DESCRIPTION	PACKAGE
RCMSB5BK	19" WIDE, 5" DEPTH, REAR CABLE MANAGEMENT SUPPORT BARS	5-PACK

BRIDLE RINGS, BEAM CLAMP (100-PACKS)



FEATURES

BRIDLE RINGS

- 100-PACK
- Hooks bridle rings & Other hardware
- Indoor/outdoor applications

BEAM CLAMP

- 100-PACK
- Hooks bridle rings & Other hardware
- Indoor/outdoor applications

ORDERING INFORMATION

PART#	DESCRIPTION	PACKAGE
BR100	BRIDLE RING W/THREAD, 1" DIAMETER, #10-24 METAL, SCREW	100-PACK
BR150	BRIDLE RING W/THREAD, 1 1/2" DIAMETER, 1/4" METAL, SCREW	100-PACK
BCSS	SPRING STEEL BEAM CLAMP, DECROMET, #1/4-20	100-PACK

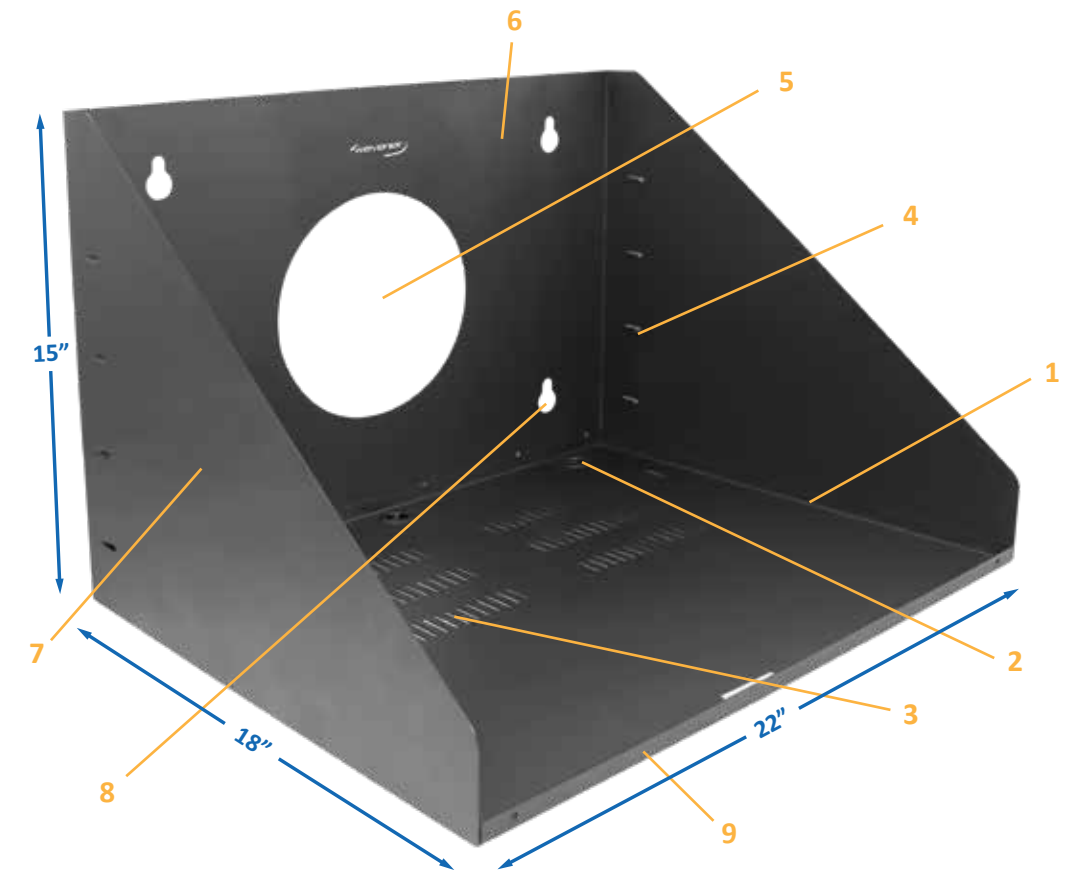
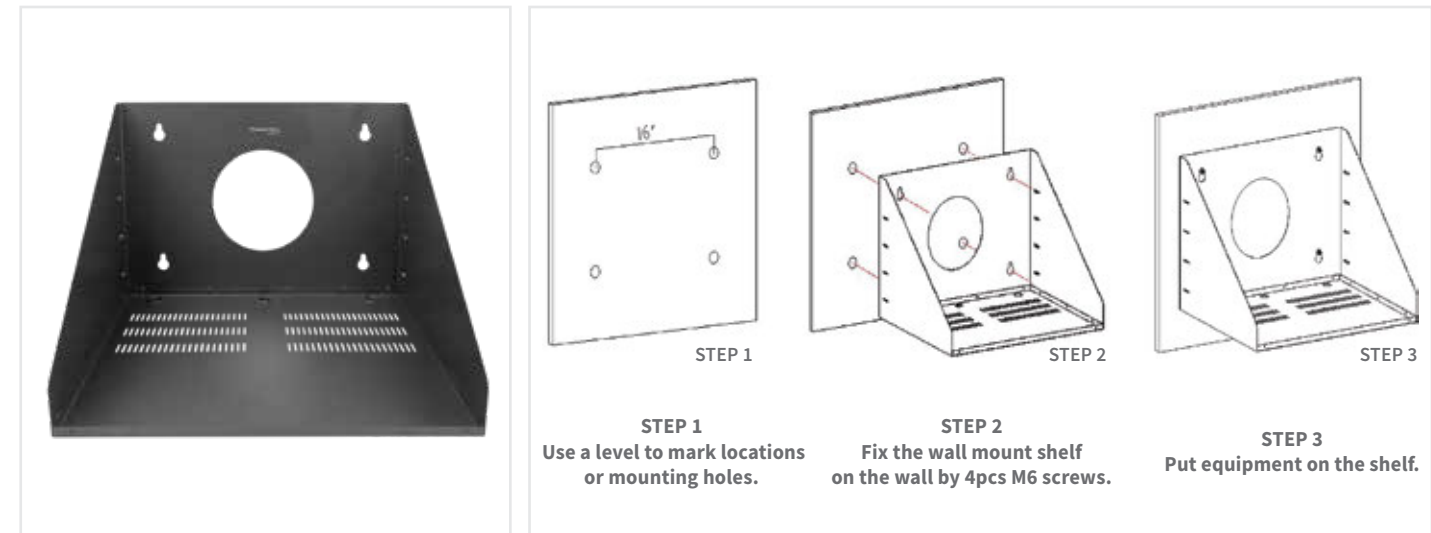
SOLID & VENTED BOTTOM EQUIPMENT SHELVES (SINGLE & 2-PACKS)



ORDERING INFORMATION

PART#	U SIZE	DESCRIPTION	PACKAGE
SHELF-10SSS-N	2U	RACK SHELF, 10" DEEP SINGLE-SIDED SOLID	SINGLE PACK
SHELF-10SSV-N	2U	RACK SHELF, 10" DEEP SINGLE-SIDED VENTED	SINGLE PACK
SHELF-15SSS-N	3U	RACK SHELF, 15" DEEP SINGLE-SIDED SOLID	SINGLE PACK
SHELF-15SSV-N	3U	RACK SHELF, 15" DEEP SINGLE-SIDED VENTED	SINGLE PACK
SHELF-25DDS-N	2U	RACK SHELF, 25" DEEP DOUBLE-SIDED SOLID	SINGLE PACK
SHELF-25DDV-N	2U	RACK SHELF, 25" DEEP DOUBLE-SIDED VENTED	SINGLE PACK
SHELF-10SSS-S2PK	2U	RACK SHELF, 10" DEEP SINGLE-SIDED SOLID	2-PACK
SHELF-10SSV-S2PK	2U	RACK SHELF, 10" DEEP SINGLE-SIDED VENTED	2-PACK
SHELF-15SSS-S2PK	3U	RACK SHELF, 15" DEEP SINGLE-SIDED SOLID	2-PACK
SHELF-15SSV-S2PK	3U	RACK SHELF, 15" DEEP SINGLE-SIDED VENTED	2-PACK
SHELF-25DDS-S2PK	2U	RACK SHELF, 25" DEEP DOUBLE-SIDED SOLID	2-PACK
SHELF-25DDV-S2PK	2U	RACK SHELF, 25" DEEP DOUBLE-SIDED VENTED	2-PACK

WALL MOUNT SHELF



FEATURES

- 1. Fully welded and made from 16-gauge steel
- 2. Shelf bottom includes (3) 1" knockout
- 3. Vented bottom for air ventilation and dissipation of heat
- 4. Left and right side tie points to secure cables
- 5. Includes center opening and bottom knockouts
- 6. Alternative mounting solution to racks, cabinets and brackets
- 7. Can be used with various equipment within 18" deep by 22" wide
- 8. 16" on center between wood studs mounting
- 9. 140 weight capacity
- 10. Measures: 15.3" H x 22" W x 18.2" Depth

ORDERING INFORMATION

PART#	DESCRIPTION	PACKAGE
WMS-18-SW	WALL MOUNT SHELF, 15.3"H x 22"W x 18.2"D	SINGLE

VERTICAL & HORIZONTAL 4U WALL MOUNT BRACKET



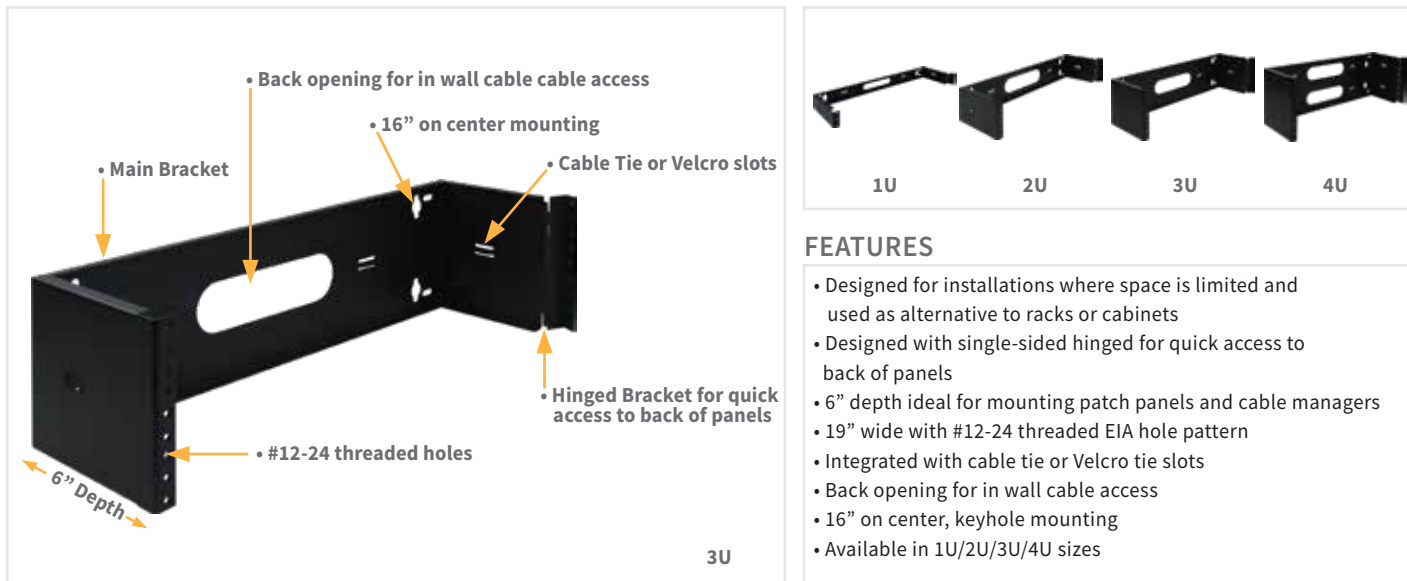
FEATURES

- Depthless designed, compatible with 19" wide equipment
- Supports horizontal & vertical mounting
- Pass-through openings for cable entry and exit
- Integrated with cable and Velcro tie-down slots
- Available in 4U ideal for small to medium sized installations
- EIA/ECA-310-E (Revision of EIA-310-D) compliant
- Up to 150 lbs load capacity
- Black powder coat finish
- Includes mounting hardware

ORDERING INFORMATION

PART#	U SIZE	DESCRIPTION	PACKAGE
VWMB-4U-SW	4U	19" WIDE, VERTICAL & HORIZONTAL WALL MOUNT BRACKET, W/#12-24 SCREWS	SINGLE

WALL MOUNT HINGED BRACKETS



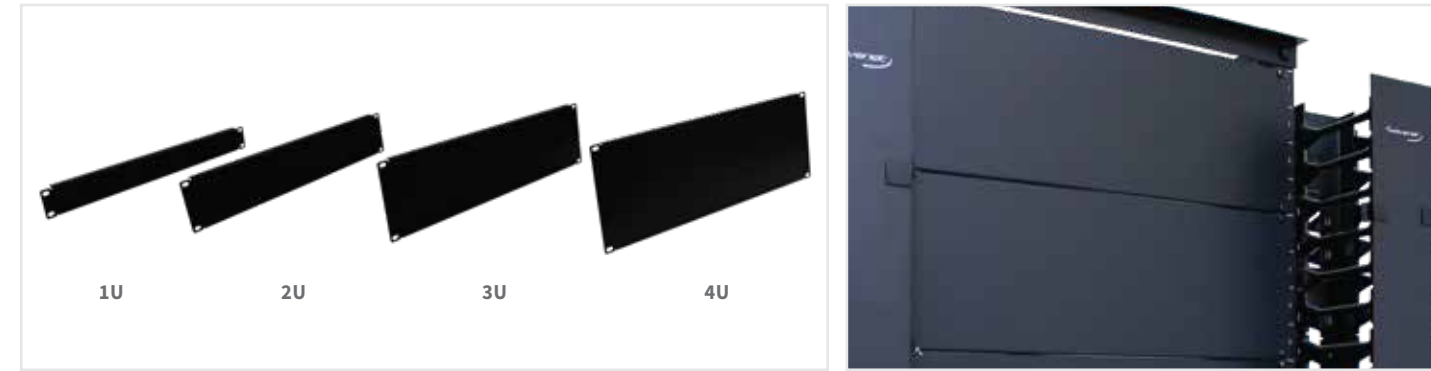
FEATURES

- Designed for installations where space is limited and used as alternative to racks or cabinets
- Designed with single-sided hinged for quick access to back of panels
- 6" depth ideal for mounting patch panels and cable managers
- 19" wide with #12-24 threaded EIA hole pattern
- Integrated with cable tie or Velcro tie slots
- Back opening for in wall cable access
- 16" on center, keyhole mounting
- Available in 1U/2U/3U/4U sizes

ORDERING INFORMATION

PART#	U SIZE	DESCRIPTION	PACKAGE
WMHB-1U	1U	WALL MOUNT HINGED BRACKET, 6" DEEP W/ #12-24 HOLES AND SCREWS	SINGLE
WMHB-2U	2U	WALL MOUNT HINGED BRACKET, 6" DEEP W/ #12-24 HOLES AND SCREWS	SINGLE
WMHB-3U	3U	WALL MOUNT HINGED BRACKET, 6" DEEP W/ #12-24 HOLES AND SCREWS	SINGLE
WMHB-4U	4U	WALL MOUNT HINGED BRACKET, 6" DEEP W/ #12-24 HOLES AND SCREWS	SINGLE

19" WIDE BLANK PANELS (5-PACK)



FEATURES

- 19" wide blank racks, cabinets & brackets panels
- Conceals empty spaces in racks, cabinet and brackets
- Improves aesthetic and appearance
- Available in 1U, 2U, 3U & 4U

ORDERING INFORMATION

PART#	U SIZE	DESCRIPTION	PACKAGE
BP-1U-5N	1U	BLANK PANEL, W/12-24 SCREWS	5-PACK
BP-2U-5N	2U	BLANK PANEL, W/12-24 SCREWS	5-PACK
BP-3U-5N	3U	BLANK PANEL, W/12-24 SCREWS	5-PACK
BP-4U-5N	4U	BLANK PANEL, W/12-24 SCREWS	5-PACK

CABLE MANAGEMENT DISTRIBUTION "D" RINGS (50-PACKS)



FEATURES

- Metal distribution "D" ring, 50-PACK
- Organizing cables in various angles
- Indoor/outdoor applications
- Available in 2", 3" and 5" diameters

ORDERING INFORMATION

PART#	DESCRIPTION	PACKAGE
DR200	METAL DISTRIBUTION "D" RING, 2" DIAMETER	50-PACK
DR300	METAL DISTRIBUTION "D" RING, 3" DIAMETER	50-PACK
DR500	METAL DISTRIBUTION "D" RING, 5" DIAMETER	50-PACK

J-HOOKS, WALL MOUNT STYLE (25-PACKS)



ORDERING INFORMATION

PART#	SIZE (DIAMETER)	MOUNTING STYLE	CAT5E Cable CAPACITY	CAT6 Cable CAPACITY	CAT6A Cable CAPACITY	ROD SIZE	WIRE SIZE	STATIC LOAD	PACKAGE
JHWM34	3/4"	WALL MOUNT	15	10	5	N/A	N/A	60 LBS.	25-PACK
JHWM13	1 5/16"	WALL MOUNT	50	40	25	N/A	N/A	60 LBS.	25-PACK
JHWM02	2"	WALL MOUNT	90	60	35	N/A	N/A	60 LBS.	25-PACK
JHWM04	4"	WALL MOUNT	330	220	80	N/A	N/A	60 LBS.	25-PACK

J-HOOKS, CEILING MOUNT STYLE (25-PACKS)



ORDERING INFORMATION

PART#	SIZE (DIAMETER)	MOUNTING STYLE	CAT5E Cable CAPACITY	CAT6 Cable CAPACITY	CAT6A Cable CAPACITY	ROD SIZE	WIRE SIZE	STATIC LOAD	PACKAGE
JHCM34	3/4"	CEILING MOUNT	15	10	5	N/A	N/A	60 LBS.	25-PACK
JHCM13	1 5/16"	CEILING MOUNT	50	40	25	N/A	N/A	60 LBS.	25-PACK
JHCM02	2"	CEILING MOUNT	90	60	35	N/A	N/A	60 LBS.	25-PACK
JHCM04	4"	CEILING MOUNT	330	220	80	N/A	N/A	60 LBS.	25-PACK

J-HOOKS, MULTI-FUNCTION "BATWING" STYLE (25-PACKS)



ORDERING INFORMATION

PART#	SIZE (DIAMETER)	MOUNTING STYLE	CAT5E Cable CAPACITY	CAT6 Cable CAPACITY	CAT6A Cable CAPACITY	ROD SIZE	WIRE SIZE	STATIC LOAD	PACKAGE
JHMF34	3/4"	BATWING	15	10	5	1/4"	#12-#8	60 LBS.	25-PACK
JHMF13	1 5/16"	BATWING	50	40	25	3/8"	#12-#8	60 LBS.	25-PACK
JHMF02	2"	BATWING	90	60	35	3/8"	#12-#8	60 LBS.	25-PACK

* Cable capacity is calculated based on a 70% fill rate.

J-HOOK FEATURES

- Designed for use with threaded rods, ceiling drop wires and wall mount
- Provide proper support for CAT 5e/6/6A, fiber optic, and A/V cabling
- Ideal for multi-applications usage such as new construction or structural attachment
- Cost-saving alternatives compared to more expensive cable tray or ladder rack runway systems
- Designed with multiple wall mounting holes, hook and loop and cable tie knockouts
- Complies with TIA-568-C, TIA-569-C, and ISO/IEC 14763-2 requirements
- Rounded edges on J-Hooks provide easy pulling and help bend radius
- Made from 18 gauge galvanized steel
- Retainer clips included with J-Hooks
- Packaged in 25 packs



RESIDENTIAL STRUCTURED WIRING ENCLOSURES (PLASTIC, EMPTY, SINGLE / 4-PACKS)



FEATURES

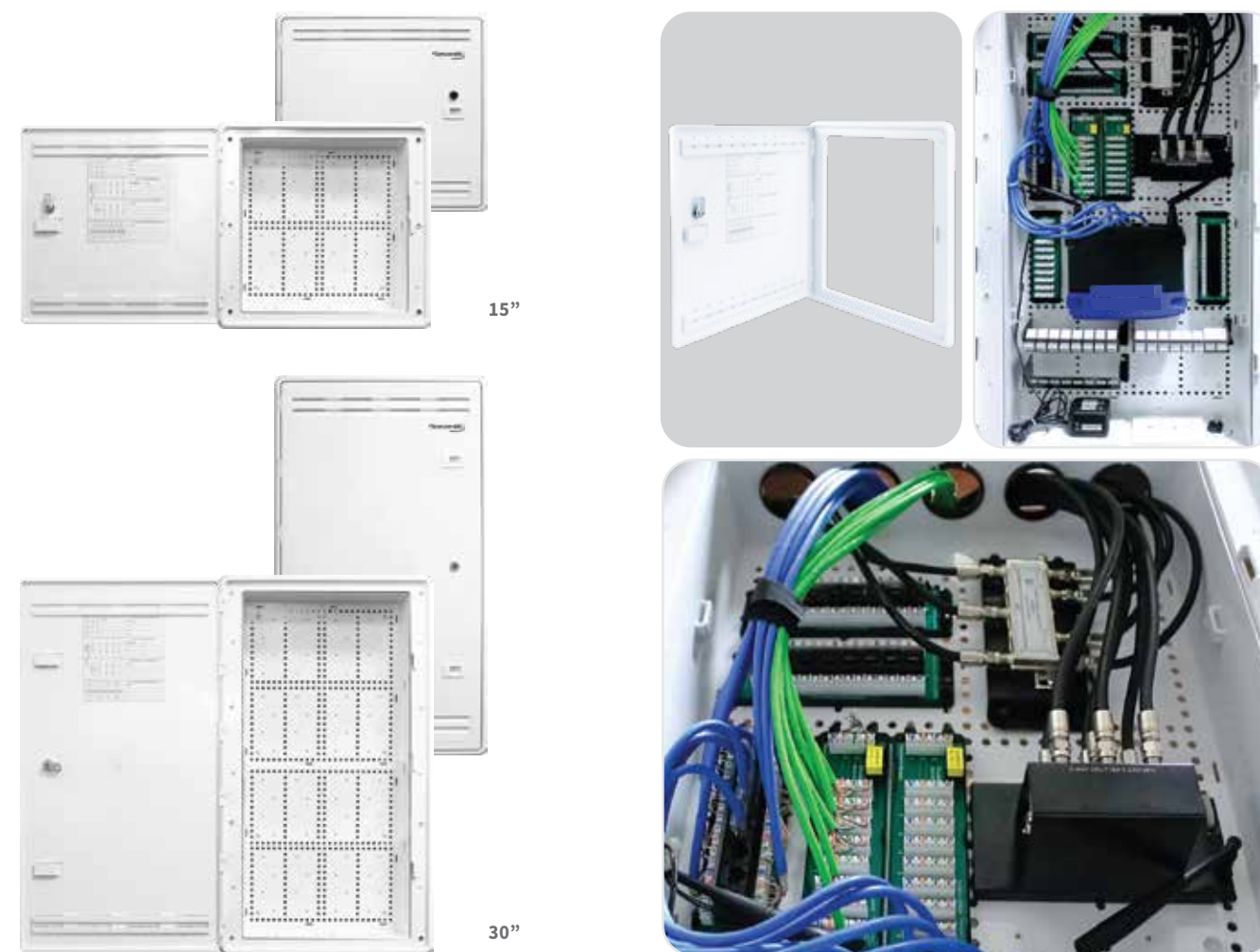
- 1. UL-rated ABS plastic
- 2. Surface or Flush Mounting
- 3. Horizontal & Vertical mounting hole patterns
- 4. Door hidden vent holes
- 5. Hinged door with trim ring
- 6. Reversible door
- 7. Lockable
- 8. Top & Bottom Knockouts for cable entry & exit
- 9. Two Outlet Knock-Outs for powder outlets
- 10. Available in two sizes 15" and 30"
- 11. Wi-Fi signals friendly
- 12. Enclosure Dimensions:
15" H x 14.42" W x 3.42" D
30" H x 14.42" W x 3.42" D
- 13. Door latch
- 14. Wiring location label
- 15. Cable secure points
- 16. Recessed mounting



ORDERING INFORMATION

PART#	DESCRIPTION	PACKAGE
WHWS15AEP-S	15" PLASTIC ENCLOSURE w/HINGED DOOR, TRIM RING & DOOR LOCK	SINGLE PACK
WHWS30AEP-S	30" PLASTIC ENCLOSURE w/HINGED DOOR, TRIM RING & DOOR LOCK	SINGLE PACK
WHWS15AEP-4PK	15" PLASTIC ENCLOSURES w/HINGED DOORS, TRIM RINGS & DOOR LOCKS	4-PACK
WHWS30AEP-4PK	30" PLASTIC ENCLOSURES w/HINGED DOORS, TRIM RINGS & DOOR LOCKS	4-PACK

RESIDENTIAL STRUCTURED WIRING ENCLOSURES (PLASTIC, EMPTY, SINGLE / 4-PACKS)



OVERVIEW

Wavenet's 15" & 30" Plastic Wi-Fi Friendly Enclosures are an ideal solution to consolidate and distribute wired and wireless home networks from a single, centralized location.

These enclosures are designed to be install in single family homes, apartments, condominiums, multi-dwelling units (MDUs), and retrofit or custom homes.

Constructed from strong ABS plastic, these enclosures are designed to integrate wired and wireless devices into traditional structured wiring installations with no signal loss. The 15" & 30" Plastic Wi-Fi Friendly Enclosures allow the full reach of a wireless network, as opposed to standard metal enclosures that can limit the range of the wireless signal.

RESIDENTIAL STRUCTURED WIRING ENCLOSURES (METAL, EMPTY)



FEATURES

- Consolidation point for all of structured cabling in a centralized location
- Distribution point for voice, data, video and other applications
- Convenient termination location for wiring cabling home runs from wall outlets to enclosure
- Surface or mount between 16" on center wood studs
- Flush metal hinged door & screw-on option w/ lock and keys
- UL Listed

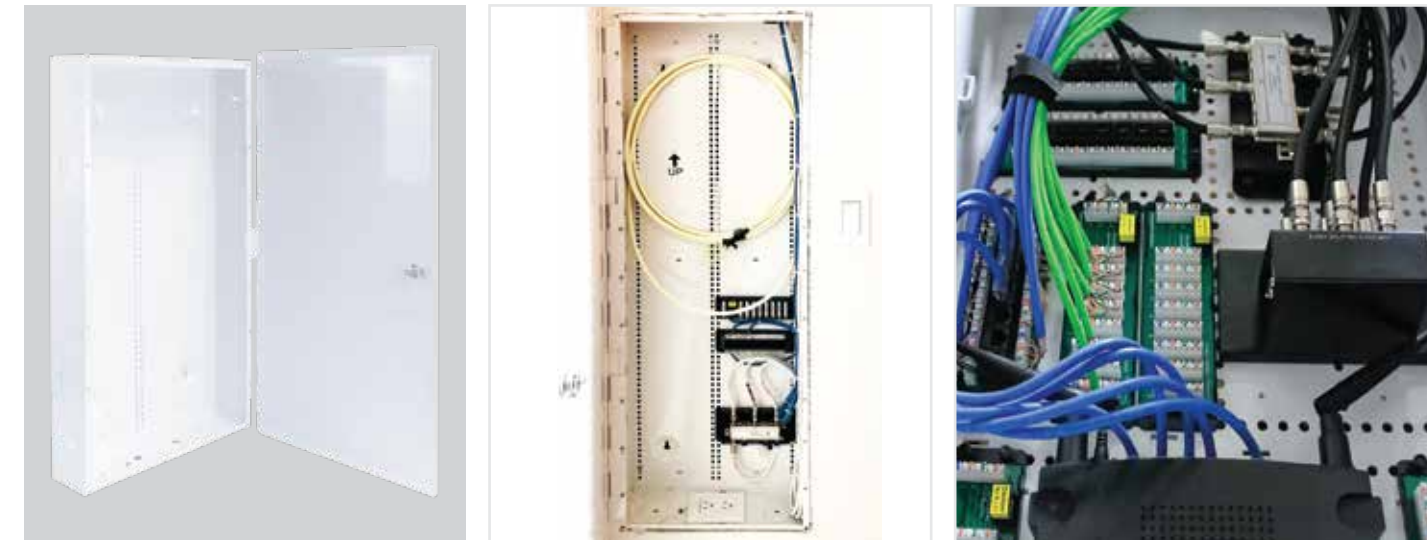
APPLICATIONS

- Single family homes (New constructions/Retrofit/DIY)
- Multi-Dwelling Units (MDUs, Condos, Apts.)
- Tract homes
- Custom built homes

ORDERING INFORMATION

PART#	DESCRIPTION	PACKAGE
WHWS1402	14" ENCLOSURE WITH HINGED DOOR & SCREW-ON OPTION, W/LOCK & KEYS	SINGLE
WHWS1802	18" ENCLOSURE WITH HINGED DOOR & SCREW-ON OPTION, W/LOCK & KEYS	SINGLE
WHWS2403	28" ENCLOSURE WITH HINGED DOOR & SCREW-ON OPTION, W/LOCK & KEYS	SINGLE
WHWS4203	42" ENCLOSURE WITH HINGED DOOR & SCREW-ON OPTION, W/LOCK & KEYS	SINGLE

RESIDENTIAL STRUCTURED WIRING ENCLOSURES (METAL, LOADED)



FEATURES

- Consolidation point for all of structured cabling in a centralized location
- Distribution point for voice, data, video and other applications
- Convenient termination location for wiring cabling home runs from wall outlets to enclosure
- Surface or mount between 16" on center wood studs
- Flush metal hinged door & screw-on option w/ lock and keys
- UL Listed

APPLICATIONS

- Single family homes (New constructions/Retrofit/DIY)
- Multi-Dwelling Units (MDUs, Condos, Apts.)
- Tract homes
- Custom built homes

ORDERING INFORMATION

PART#	DESCRIPTION	PACKAGE
WHWS1402K	14" ENCLOSURE WITH HINGED DOOR & SCREW-ON OPTION, W/LOCK & KEYS, INCL 8-PORT, CAT6 DATA, 8 PORT VOICE MODULE & 6-PORT 2 GHz VIDEO SPLITTER	SINGLE
WHWS1802K	18" ENCLOSURE WITH HINGED DOOR & SCREW-ON OPTION, W/LOCK & KEYS, INCL 8-PORT,CAT6 DATA, 8 PORT VOICE MODULE & 6-PORT 2 GHz VIDEO SPLITTER	SINGLE
WHWS2802K	28" ENCLOSURE WITH HINGED DOOR & SCREW-ON OPTION, W/LOCK & KEYS, INCL 8-PORT,CAT6 DATA, 8 PORT VOICE MODULE & 6-PORT 2 GHz VIDEO SPLITTER	SINGLE

ENCLOSURES VOICE, DATA AND VIDEO MODULES

8-PORT CAT6 110-1DC DATA MODULE W/ PLASTIC PLATE



• Part No. **WHPP100805**

- Supports up to 8 data connections
- Fits Wavenet's structured wiring enclosures

8-PORT 110-1DC VOICE MODULE W/ RJ-31X, PLASTIC PLATE



• Part No. **WHBG100806**

- Supports up to 8 voice connections w/RJ31X
- Fits Wavenet's structured wiring enclosures

2 GHz 8-PORT PASSIVE VIDEO SPLITTER W/ METAL BRACKET



• Part No. **WHVS10081**

- 2GHz, 1 Input x 8 Output
- Fits Wavenet's structured wiring enclosures

2 GHz 6-PORT PASSIVE VIDEO SPLITTER W/ METAL BRACKET



• Part No. **WHVS1006-S**

- 2GHz, 1 Input x 6 Output
- Fits Wavenet's structured wiring enclosures

4-Port 2GHz Video splitter



• Part No. **WHVS1004**

8-PORT BLANK PANEL



• Part No. **WPK10080-E**

- Multiple media applications
- Configurable with keystone modular connectors
- Fits Wavenet's structured wiring enclosures

VOICE/DATA/VIDEO MODULE KIT



• Part No. **VDVM-8D8P6V**

- (1) 8-Ports CAT6 Data, (1) 8-Ports Phone with RJ31x & (1) 6-Ports 2GHz splitter
- UL Listed and compliant with ANSI/TIA-568 standards for residential use



ORDERING INFORMATION

PART#	DESCRIPTION	PACKAGE
WHPP100805	8-PORT CAT6 110-1DC DATA MODULE W/PLASTIC PLATE	SINGLE
WHBG100806	8-PORT 110-1DC VOICE MODULE W/RJ-31X, PLASTIC PLATE	SINGLE
WHVS10081	2 GHz 8-PORT PASSIVE VIDEO SPLITTER W/ METAL BRACKET	SINGLE
WHVS1006-S	2 GHz 6-PORT PASSIVE VIDEO SPLITTER W/ PLASTIC BRACKET	SINGLE
WHVS1004	2 GHz 4-PORT PASSIVE VIDEO SPLITTER W/ METAL BRACKET	SINGLE
WPK10080-E	8-PORT BLANK PANEL, FOR MULTIPLE MEDIA APPLICATIONS	SINGLE
VDVM-8D8P6V	8-PORT CAT6 DATA, 8-PORT VOICE & 6-PORT 2GHZ VIDEO MODULE KIT	SINGLE

CAT5E & CAT6 RJ-45 MODULAR PLUGS (100-PACKS)

RJ-45 CAT 5E MODULAR PLUGS



• Part No. **RJ45-CAT5UTP-100PK**

- 100-PACK, No loading bar
- Accepts 24-23 AWG solid or stranded UTP cables

RJ-45 CAT 5E MODULAR PLUGS



• Part No. **RJ45-CAT5UTP50U-100PK**

- 100-PACK, CAT 6 RJ45 plug w/ loading bar
- 50 micron gold contacts

RJ-45 CAT 5E SHIELDED MODULAR PLUG



• Part No. **RJ45-CAT5FTP-100PK**

- RJ-45, CAT 5E, Shielded modular plugs

RJ-45 CAT 6 MODULAR PLUGS



• Part No. **RJ45-CAT6UTP-N-100PK**

- Modular plugs, No loading bar

RJ-45 CAT 6 MODULAR PLUGS



• Part No. **RJ45-CAT6UTP50U-C-100PK**

- CAT 6 RJ45 plug w/ loading bar
- 50 micron gold contacts
- Staggered closing reduces NEXT

RJ-45 CAT 6 SHIELDED MODULAR PLUG



• Part No. **RJ45-CAT6FTP-N-NB**

- RJ-45, CAT 6 shielded, Modular plugs
- Loading bar included

ORDERING INFORMATION

PART#	DESCRIPTION	PACKAGE
RJ45-CAT5UTP-100PK	RJ-45, CAT5E, MODULAR PLUGS, NO LOADING BAR	100-PACK
RJ45-CAT5UTP50U-100PK	RJ-45, CAT5E, MODULAR PLUGS, W/LOADING BAR, 50U	100-PACK
RJ45-CAT5FTP-100PK	RJ-45, CAT5E SHIELDED (FTP), MODULAR PLUGS, W/LOADING BAR, 50U	100-PACK
RJ45-CAT6UTP-100PK	RJ-45, CAT6, MODULAR PLUGS, NO LOADING BAR	100-PACK
RJ45-CAT6UTP50U-100PK	RJ-45 CAT6 MODULAR PLUGS, W/LOADING BAR, 50U	100-PACK
RJ45-CAT6FTP	RJ-45, CAT6, SHIELDED, MODULAR PLUGS	SINGLE

SDJ-SERIES



90 DEGREE



180 DEGREE

MADE WITH HIGH IMPACT ABS PLASTIC



110 TYPE IDC PUNCH DOWN
TIA-568 A/B COLOR CODED
COMPONENT RATED



KEYSTONE FITMENT
50 MICRO INCHES
OF GOLD PLATING

KEYSTONE JACK

HDJ vs. SDJ

WITH

TERMINATION TOOL

JACK4PAIR™

TERMINATION TOOL




UP TO 70% FASTER TERMINATION SPEED
INTERCHANGABLE BLADES FOR SDJ & HDJ JACKS



COAXIAL CONNECTORS (100-PACKS)

<p>RG-59 COMPRESSION F-TYPE</p>  <p>• Part No. F-RG59-KE</p> <ul style="list-style-type: none"> F-TYPE connector male compression for RG-59U (BLACK) 	<p>RG-6 COMPRESSION F-TYPE</p>  <p>• Part No. F-RG6U</p> <ul style="list-style-type: none"> F-TYPE connectors for RG-6 coaxial cables 	<p>RG-6 COMPRESSION F-TYPE [100PK]</p>  <p>• Part No. F-RG6U-100pk</p> <ul style="list-style-type: none"> F-TYPE connectors for RG-6 coaxial cables, 100PK
<p>RG-6 COMPRESSION BNC</p>  <p>• Part No. BNC-MC6U-N</p> <ul style="list-style-type: none"> BNC connector male compression for RG-6U 	<p>RG-6 CRIMP BNC</p>  <p>• Part No. BNC-MQ6U-KE</p> <ul style="list-style-type: none"> BNC connector male quick crimp for RG-6U 	<p>RG-6 CRIMP BNC [25PK]</p>  <p>• Part No. BNC-MQ6U-25PACK</p> <ul style="list-style-type: none"> BNC connector male quick crimp for RG-6U 25PK
<p>RG-59 COMPRESSION BNC</p>  <p>• Part No. BNC-MC59-KE</p> <ul style="list-style-type: none"> BNC connector male compression for RG-59U 	<p>RG-59 CRIMP BNC</p>  <p>• Part No. BNC-MQ59-KE</p> <ul style="list-style-type: none"> BNC connector male quick crimp for RG-59U 	

TOOLS & ACCESSORIES

<p>JACK4PAIR™ KEYSTONE TOOL</p>  <p>• Part No. TOOL-J4PR-KSJ</p> <ul style="list-style-type: none"> JACK4PAIR™, 4-pair termination tool for keystone jacks 	<p>JACK4PAIR™, REPLACEMENT CUT MODULE & BASE</p>  <p>• Part No. JRH90180-4PR-KSJ</p> <ul style="list-style-type: none"> Replacement Cut Module & Base for SDJ & HDJ Keystone Jacks for JACK4PAIR™ 	<p>4-PAIR PUNCH DOWN TOOL</p>  <p>• Part No. TOOL-1104PR-PP</p> <ul style="list-style-type: none"> 110 Punch Down, 4-PAIR tool for patch panels
<p>WIRE CUTTER AND STRIPPER</p>  <p>• Part No. T5021</p> <ul style="list-style-type: none"> Wire cutter and stripper tool 	<p>PUNCH DOWN TOOL</p>  <p>• Part No. TOOLPD-11066</p> <ul style="list-style-type: none"> 110 & 66 punch down tool 	<p>MOD PLUG CRIMP TOOL</p>  <p>• Part No. TOOL-CMBST</p> <ul style="list-style-type: none"> 8P, 6P, 4P modular plug crimping tool
<p>COMBO STRIPPER TOOL</p>  <p>• Part No. TR-352</p> <ul style="list-style-type: none"> UTP & Coax combo stripper tool 	<p>UNIVERSAL COMPRESSION TOOL</p>  <p>• Part No. TOOLCOM-N</p> <ul style="list-style-type: none"> Universal compression tool for F-TYPE, BNC & RCA connectors 	<p>REPLACEMENT BLADE</p>  <p>• Part No. TA110-RB-N</p> <ul style="list-style-type: none"> Replacement blade for 110 Punch down tool

ORDERING INFORMATION

PART#	DESCRIPTION	PACKAGE
F-RG59-KE	RG-59 F-CONNECTOR MALE FOR RG-59U (BLACK)	SINGLE
F-RG6U	RG-6 F COMPRESSION CONNECTOR FOR RG-6 COAXIAL CABLES, EACH	SINGLE
F-RG6U-100PK	RG-6 F COMPRESSION CONNECTOR FOR RG-6 COAXIAL CABLES	100-PACK
BNC-MC6U-N	BNC CONNECTOR MALE COMPRESSION FOR RG-6U	SINGLE
BNC-MQ6U-KE	BNC CONNECTOR MALE, COMPRESSION FOR RG-6U 60% ONLY	SINGLE
BNC-MQ6U-25PACK	BNC CONNECTOR MALE QUICK CRIMP FOR RG-6U	25-PACK
BNC-MC59-KE	BNC CONNECTOR MALE COMPRESSION FOR RG-59U	SINGLE
BNC-MQ59-KE	BNC CONNECTOR MALE QUICK CRIMP FOR RG-59U	SINGLE

ORDERING INFORMATION

PART#	DESCRIPTION	PACKAGE
TOOL-J4PR-KSJ	JACK4PAIR, 4-PAIR TERMINATION TOOL FOR KEYSTONE JACKS	SINGLE
JRH90180-4PR	JACK4PAIR, REPLACEMENT CUT MODULE & BASE SDJ & HDJ SERIES KEYSTONE JACKS	SINGLE
TOOL-1104PR-PP	110 PUNCH DOWN, 4-PAIR TOOL FOR PATCH PANELS	SINGLE
T5021	WIRE CUTTER AND STRIPPER TOOL	SINGLE
TOOLPD-11066	110 & 66 PUNCH DOWN TOOL	SINGLE
TOOL-CMBST	8P, 6P, 4P MODULAR PLUG CRIMPING TOOL	SINGLE
TR-352	UTP & COAX COMBO STRIPPER TOOL	SINGLE
TOOLCOM-N	UNIVERSAL COMPRESSION TOOL FOR F-TYPE, BNC & RCA CONNECTORS	SINGLE
TA110-RB-N	REPLACEMENT BLADE FOR 110 PUNCH DOWN TOOL	SINGLE

PDU



FEATURES

- 1.5U 12 Outlet with metal housing
- 4PCS. #12-24 screws
- 15A, 110V w/ 6.5' AC power cord
- Outlet Quantity: 2 Front / 10 Rear
- Maximum Current (amps): 15A

ORDERING INFORMATION

PART#	U SIZE	DESCRIPTION	PACKAGE
PDU1012M-24	1.5U	HORIZONTAL POWER DISTRIBUTION UNIT (PDU), 1.5U 12 OUTLETS WITH METAL HOUSING	SINGLE

RACK MOUNT SCREWS (#12-24 & #10-32)



FEATURES

- 50-Pack
- 12-24 or 10-32 Rack Screws
- Color: Black
- Material: Steel

ORDERING INFORMATION

PART#	DESCRIPTION	PACKAGE
12#24SCREWSET50/BAG	#12-24 SCREW SET	50-PACK
10#32SCREWSET50/BAG	#10-32 SCREW SET	50-PACK

WALL MOUNT CABINET REPLACEMENT FAN



FEATURES

- 1.5U 12 Outlet with metal housing
- 4PCS. #12-24 screws

ORDERING INFORMATION

PART#	U SIZE	DESCRIPTION
WFAN110V	1.5U	HORIZONTAL POWER DISTRIBUTION UNIT (PDU), 1.5U 12 OUTLETS WITH METAL HOUSING