



## CloudSwitch L2Plus 24 PoE

# Cloud Managed 24-Port Gigabit PoE+ Switch with 4 SFP+ Ports

### Overview

EnGenius Cloud Managed Layer 2+ Switch ECS1528P features 24 Gigabit PoE+ ports and 4 10G SFP+ port uplink ports with 240W PoE budget. Its enterprise-class features optimize network efficiency and offer robust security with Voice-VLAN support. The switch also extends PoE Ethernet cable deployment range up to 250 meters, auto-reboots PoE power for failed camera, and provides a steady supply of PoE power during switch upgrades. Ideal for cost-conscious SMBs.



### Features & Benefits

- 24x Gigabit PoE+ ports for high-speed connections
- 4x 10Gbps SFP+ uplink ports for bandwidth-intensive applications
- 24x 802.3af/at PoE+ ports with 240W PoE budget
- Zero touch provisioning, centralized cloud management and visualized monitoring
- Hybrid cloud switch supports flexible management options such as EnGenius Cloud or standalone
- Robust security that supports Port based / MAC based ACL Storm control, DHCP Snooping, DOS Attack Prevention, 802.1X & RADIUS Authentication and more
- Optimized for quality voice and video traffic with Voice-VLAN feature
- PoE Extended Mode - Extend PoE Ethernet cable deploying range up to 250 meters
- PD Lifeguard - Real-time detecting and auto-reboot PoE power for failed camera
- Continuous PoE Power - Steady supply of PoE power for camera during switch upgrades

# Technical Specifications

## Technical Specifications

### Port Standards

802.3 10Base-T Ethernet

802.3u 100Base-TX Ethernet

802.3ab 1000Base-T Ethernet

802.3x Full-Duplex Flow Control

### Network Port - Gigabit Ethernet Ports

24x10/100/1000 Mbps Ports

### Network Port - SFP+ Ports

4x SFP+ Ports

### Switching Capacity

128Gbps

### SDRAM

512MB

### Flash Memory

128MB

### PoE Capable Ports

Ports 1-24 (802.3af/at)

### Total PoE Budget

240w

### Power Source

100 to 240 VAC, 50/60Hz

## Physical Interface

### System Indicators

Power LED

Fault LED

PoE Max LED

LAN Mode LED

PoE Mode LED

### Port Indicators

Link/Activity/Speed (per Ethernet port)

Link/Activity/Speed (per SFP slot)

## L3 Software Features

### Multiple IP Interface

20 IPv6 address

### ARP Table

Max. 192 ARP entries

### Static ARP

Static 192 ARP entries

### IPv4 Static Route

Max. 63 entries

### IPv6 Static Route

Max. 21 entries

## L2 Software Features

### Network Management

EnGenius Cloud

SkyKey

ezMaster

Local Web GUI

### MAC Address Table

16K

### Jumbo frame size

10K

### Multicast Group

Max 256 groups

### MLD Snooping

MLD Snooping: v1

### QoS-number of Priority Queues Supported

Queue 8

### QoS Trust Mode

Cos/802.1p

DSCP

CoS/802.1p-DSCP

### Scheduling Mechanism

Strict / WRR/ Strict + WRR

### Bandwidth Control

Port-based bandwidth control (Ingress/Egress)

### Port Security

Max. 256 Entries

### Access Control List (ACL)

MAC Based ACL

IPv4/IPv6 Based ACL

ACL Binding

Time base ACL

### Web Graphical User Interface (GUI)

HTTP IPv4 / IPv6

HTTPS IPv4 / IPv6

### SSL Certificate

Certificate/Key Import

### SNMP

SNMP v1/v2c/v3 Support

### RMON

RMON 1,2,3,9

### System Time

Time Setting/Daylight saving

### Common L2 Features

802.1D Spanning Tree

802.1w Rapid Spanning Tree

802.1S Rapid Spanning Tree

Loopback Detection

Multicast Filtering

IGMP Multicast Forwarding

IGMP Snooping

## Technical Specifications

MLD Multicast Forwarding
802.1Q VLAN tagging
802.3x flow control
802.3ad Link Aggregation
IPv4 DHCP Relay
IPv4 DHCP Snooping
IPv4 DHCP Snooping Source MAC Address Check-up
ARP Packet Validation (additional validation checks)
Voice VLAN
Port-based VLAN
Protocol-Based VLAN
CoS Mapping
802.1X Radius Authentication Protocol
IPv4 Settings/ IPv6 Settings
IEEE 802.3az Energy Efficient Ethernet (EEE)
Command Line Interface (CLI)
SSH Server
Telnet Server
TFTP Client
Configuration Upgrade/ Backup
Simple Network Time Protocol (SNTP)
SYSLOG

### Environmental & Physical

#### Temperature Range

Operating: 32°F to 122°F (0°C to 50°C)

#### Humidity (Non-Condensing)

Operating: 5% - 95%

### Device Dimensions & Weight

#### Device Dimensions & Weights

Weight: 3.81 kg

Width: 440 mm

Length: 260 mm

Height: 44 mm

#### Package Contents

1x Cloud Managed Gigabit Switch

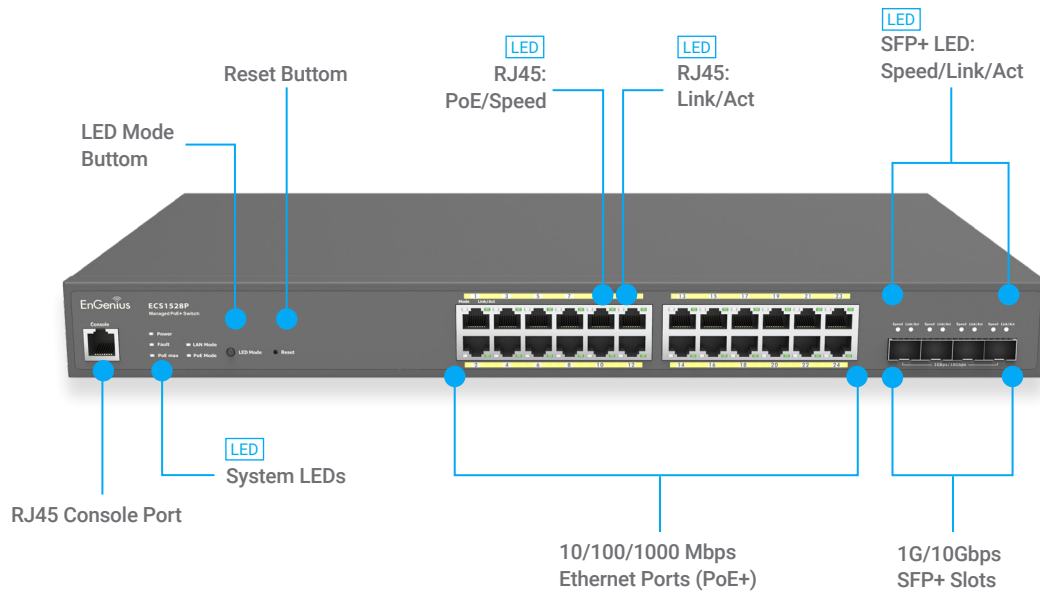
1x Quick Installation Guide

1x Power Cord

1x RJ45 Console Cable

1x Rack Mount Kit

## Hardware Overviews



### EnGenius Technologies | Costa Mesa, California, USA

Email: [support@engeniustech.com](mailto:support@engeniustech.com)  
Website: [www.engeniustech.com](http://www.engeniustech.com)  
Local contact: (+1) 714 432 8668

### EnGenius Networks Singapore Pte Ltd. | Singapore

Email: [techsupport@engeniustech.com.sg](mailto:techsupport@engeniustech.com.sg)  
Website: [www.engeniustech.com.sg](http://www.engeniustech.com.sg)  
Local contact: (+65) 6227 1088

### EnGenius Technologies Canada | Ontario, Canada

Email: [support@engeniustech.com](mailto:support@engeniustech.com)  
Website: [www.engeniustech.com](http://www.engeniustech.com)  
Local contact: (+1) 905 940 8181

### EnGenius Networks Dubai | Dubai, UAE

Email: [support@engeniustech.com](mailto:support@engeniustech.com)  
Website: [www.engeniustech.com](http://www.engeniustech.com)  
Local contact: (+971) 4 339 1227

### EnGenius Networks Europe B.V. | Eindhoven, Netherlands

Email: [support@engeniustech.com](mailto:support@engeniustech.com)  
Website: [www.engeniustech.com](http://www.engeniustech.com)  
Local contact: (+31) 40 8200 887

### 恩碩科技股份有限公司 | Taiwan, R.O.C.

Email: [sales@engeniustech.com.tw](mailto:sales@engeniustech.com.tw)  
Website: [www.engeniustech.com.tw](http://www.engeniustech.com.tw)  
Local contact: (+886) 933 250 628

Features and specifications subject to change without notice. Trademarks and registered trademarks are the property of their respective owners. These limits are designed to provide reasonable protection against harmful interference in a residential installation. This equipment generates, uses, and can radiate radio frequency energy and, if not installed and used in accordance with the instructions, may cause harmful interference to radio communications. Operation of this equipment in a residential area is likely to cause harmful interference in which case the user will be required to correct the interference at his/her own expense. Prior to installing any surveillance equipment, it is your responsibility to ensure the installation is in compliance with local, state and federal video and audio surveillance and privacy laws.  
Version 1.1 12062023