

PM POWER PRODUCTS INTRODUCES



## PM-DENT-LK-C2

### Lighting Contractor Kit



2 x 2 Flat Panel



### Low Voltage Lighting Kit

The PM-DENT-LK-C2 is a lighting retrofit kit designed for any office that has 2 fluorescent fixtures that does not need a licensed electrician to install. The past 5 years of significant advances in LED technology now enables to you to get **more** light with less than one fifth the power required for an equivalent set of fluorescent fixtures. Traditional replacement with high voltage LED fixtures/bulbs does not offer dimming capability, this does. The PM-DENT-LK-C2 allows anyone to install it safely and at no risk of hazards. With the pre-programmed behaviors, you simply install the fixtures, plug it in, and start operating the fixtures out of the box.

[www.pmpowerproducts.com](http://www.pmpowerproducts.com) 614-652-6509



**Features**

- ◇ Simple, easy to install
- ◇ Inherently as safe as plugging in an ethernet cord
- ◇ Different behaviors programmable at time of order
- ◇ Downlight or 2x2 panel options
- ◇ Installer kit available with all parts necessary to install in 15 minutes
- ◇ Pays for itself in under 5 years
- ◇ No need to dispose existing lighting - acts as low power alternative
- ◇ Dimmable Light levels 0-100%

**Tech Specs**

- ◇ 5000+ lumen output
- ◇ < 42W power
- ◇ Upgradable to network PoE system
- ◇ 1st button toggles both on/off
- ◇ 2nd button brightens/dims fixture 1
- ◇ 3rd button brightens/dims fixture 2
- ◇ 4th button brightens/dims both

**Ordering Options**

**PM-DENT-LK-C2**

Component	Qty
LED Driver	1
2x2 Flat panel	2
4" Gimbal Down light	2
4 button switch	1

**Comparison**

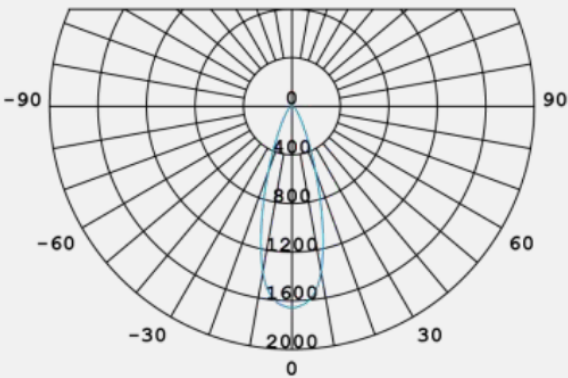
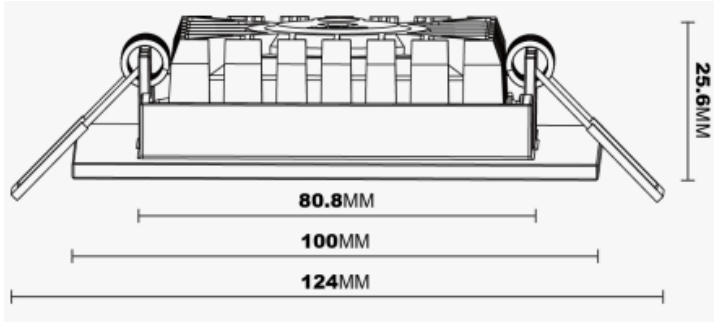
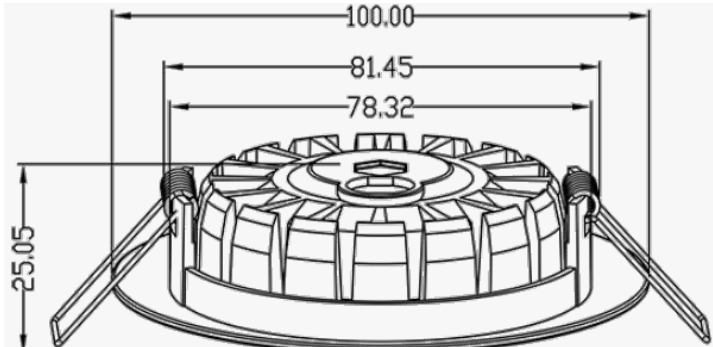
**PM-DENT-LK-2 2 fluorescent 2x4 fixtures with 4 bulbs over 2 years old**

<b>Total Power (W)</b>	42	256
<b>Brightness (lm)</b>	5250	4560
<b>Annual Cost to operate</b>	\$20.49	\$143.77

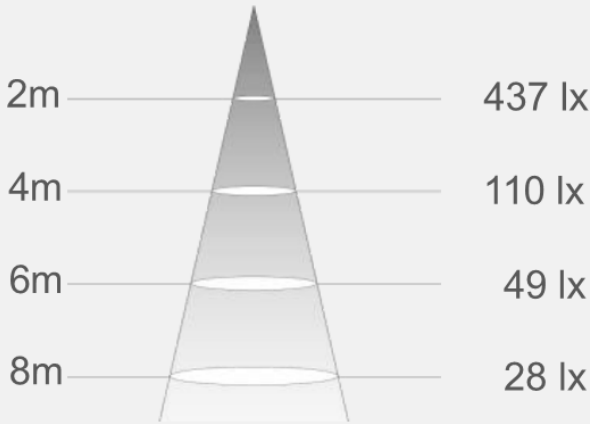
# 4" Downlight

## Features

- ◇ CREE LED, high lumen
- ◇ 26mm (~ 1" ) thin profile
- ◇ 900+ Lumens
- ◇ UGR<19
- ◇ Several lensing options
- ◇ 90+ CRI
- ◇ 10W @ 90lm/W
- ◇ Constant Current: 200mA, 36-42VDC
- ◇ 2700K—5000K selectable via software
- ◇ Beam Angle 38°



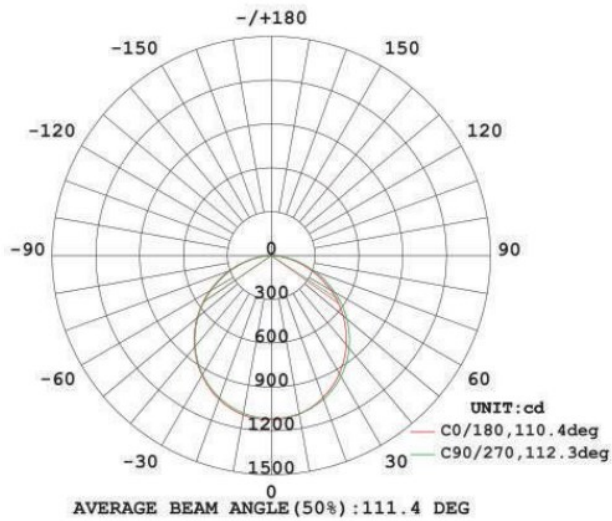
Light Distribution



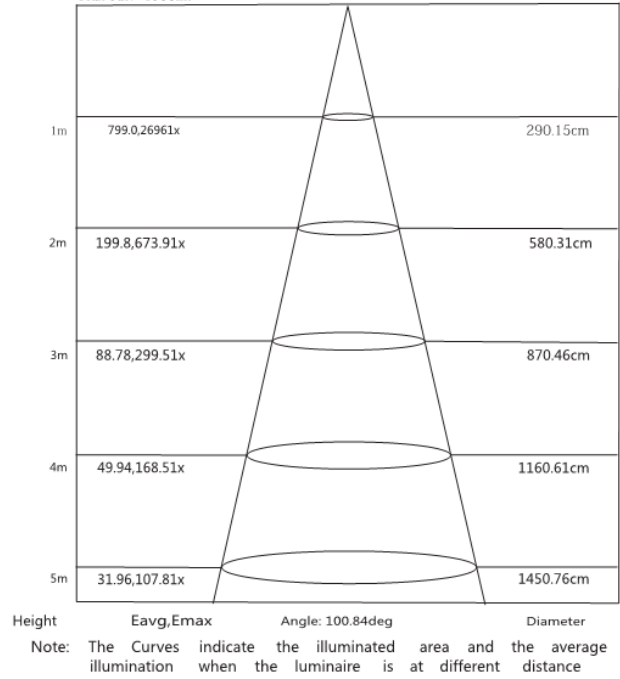
Illuminance (lx)

# 2x2 Fixture

LUMINOUS INTENSITY DISTRIBUTION DIAGRAM



Flux out: 4680lm



Fixture	Dimensions	Luminous Flux
LTG-FP-2-2-*	23.7"x23.7"x0.5"	4680 lm

