

Remote Call Button

The CyberData Remote Call Button is an optional accessory that, when connected to a CyberData Talk-Back Speaker, allows users to make a call to a predefined phone number.

Additionally, when the Talk-Back Speaker is called from a remote phone and Auto-Answer is not enabled on the Speaker's Web Interface, the LED on the Call Button will blink. A press of the Call Button will answer the incoming call.

If installed in close proximity to the Speaker, the Remote Call Button can also be configured for Push to Talk on the Speaker side.

The Speaker's Web interface allows user programmable scenarios of the Button's LED light to show call activity.



Features

- Operates in SIP and InformaCast Enabled environments
- Can initiate a call from or receive a call to the Talk-Back Speaker
- Enables Push to Talk half duplex audio from the Speaker side for loud environments
- User Programmable LED Light to show call activity
- Easy mounting enclosure

Related Products:



011398 SIP
Talk-Back Speaker



011400 InformaCast® Enabled
Talk-Back Speaker

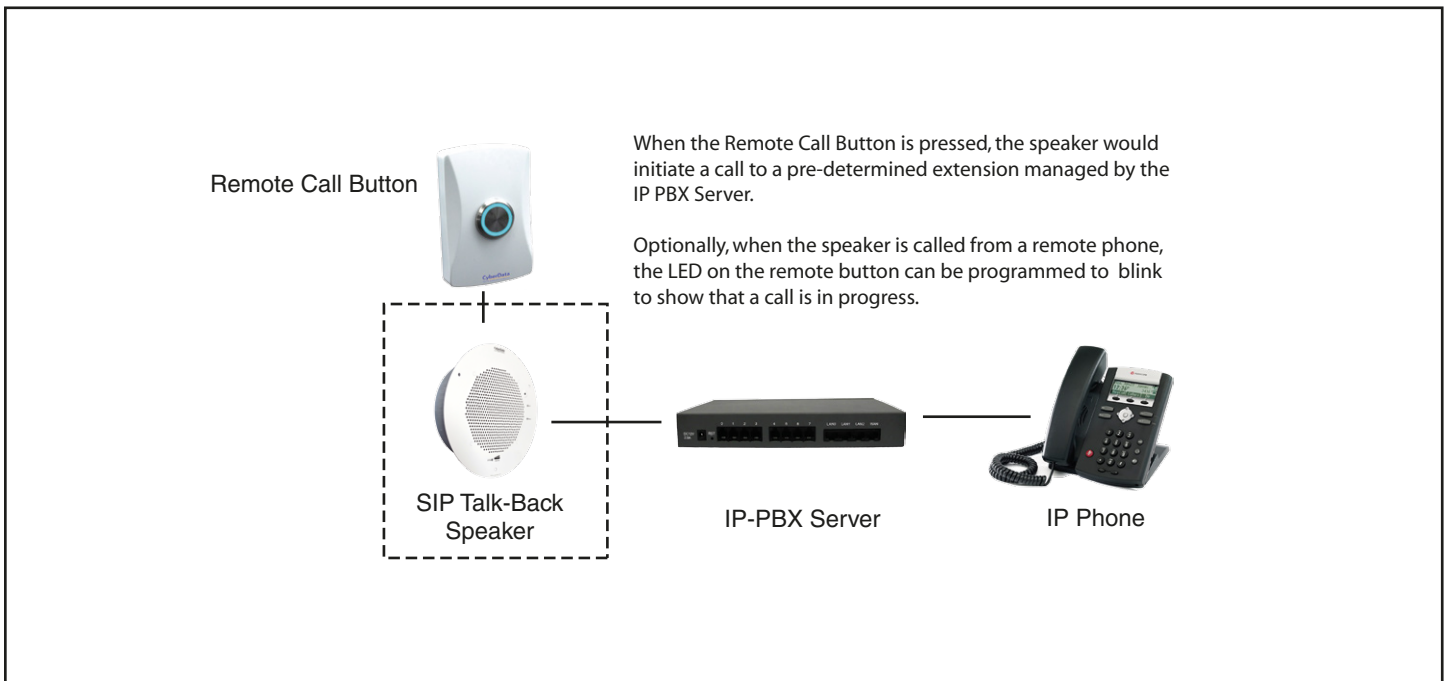
Specifications

Mounting	Standard single gang or flush mount
LED Light Color	Blue
Operating Range	Temperature: -40° C to 55° C (-40° F to 131° F) Humidity: 5-95%, non-condensing
Storage Temperature	-40° C to 70° C (-40° F to 158° F)
Storage Altitude	Up to 15,000 ft. (4573 m)
Dimensions*	2.95 in. [75 mm] Length 1.01 in. [25.7 mm] Width 4.53 in. [115 mm] Height
Weight	0.25 lbs [0.11 kg]
Boxed Weight	0.45 lbs. [0.20 kg]
Compliance	RoHS
Warranty	2 Years Limited
Part Number	011508

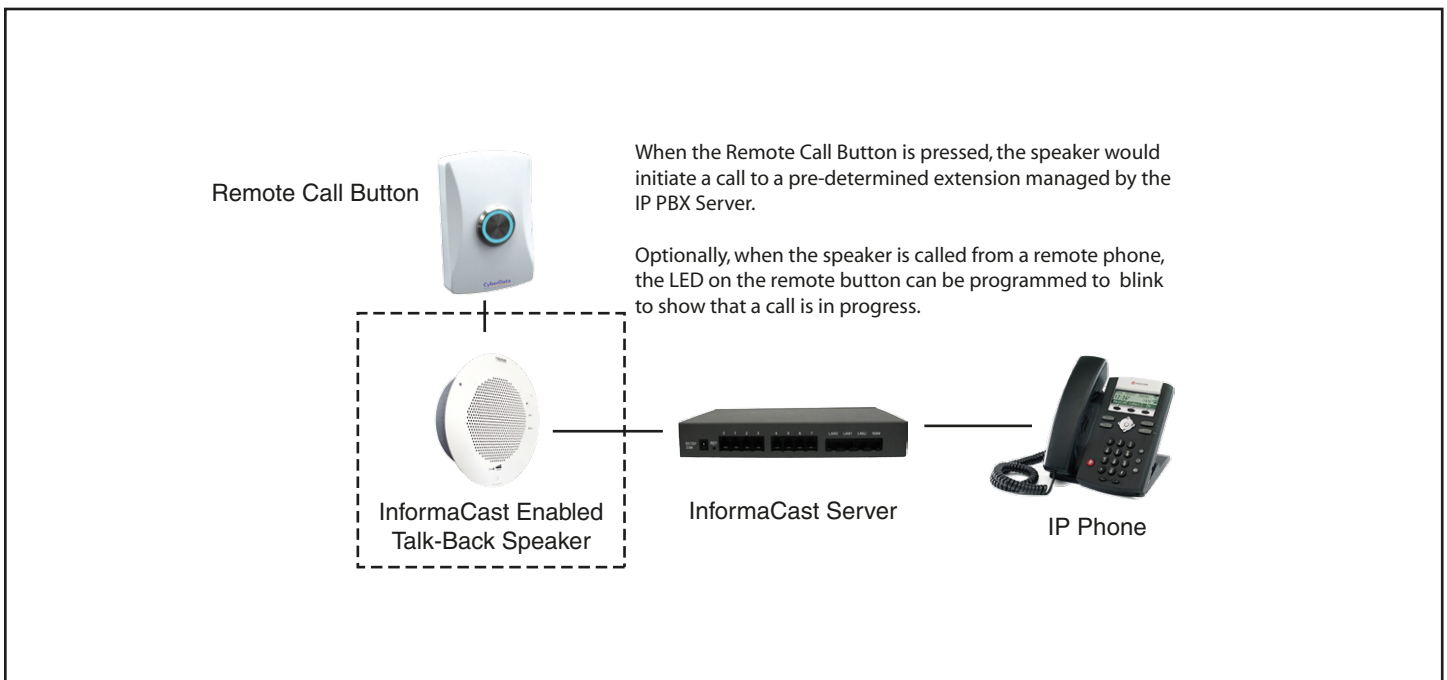
*Dimensions are measured from the perspective of the product being upright with the front of the product facing you.

Remote Call Button

SIP Talk-Back Speaker with Remote Call Button

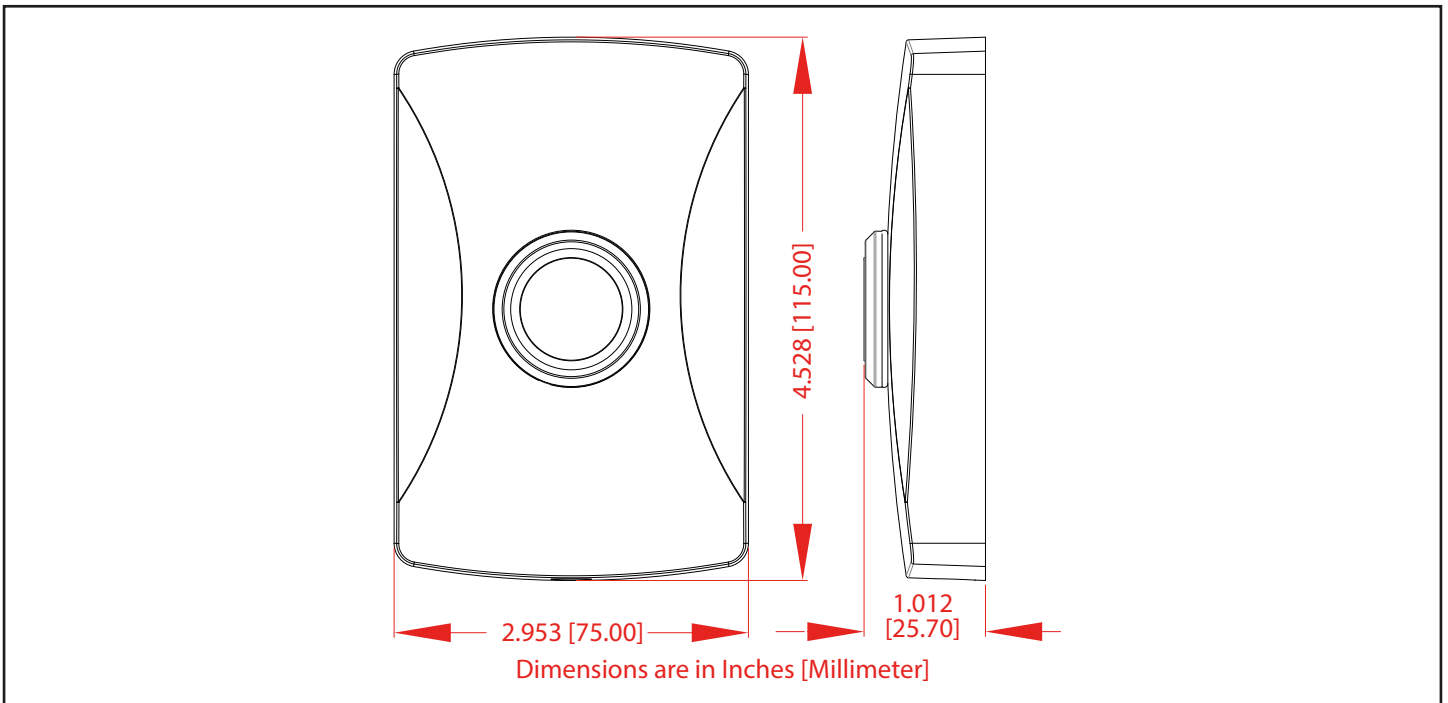


InformaCast Enabled Talk-Back Speaker with Remote Call Button



Remote Call Button

Dimensions



Connections

