

# Protect. Alert. Inform.

Leading the industry in advanced technological solutions

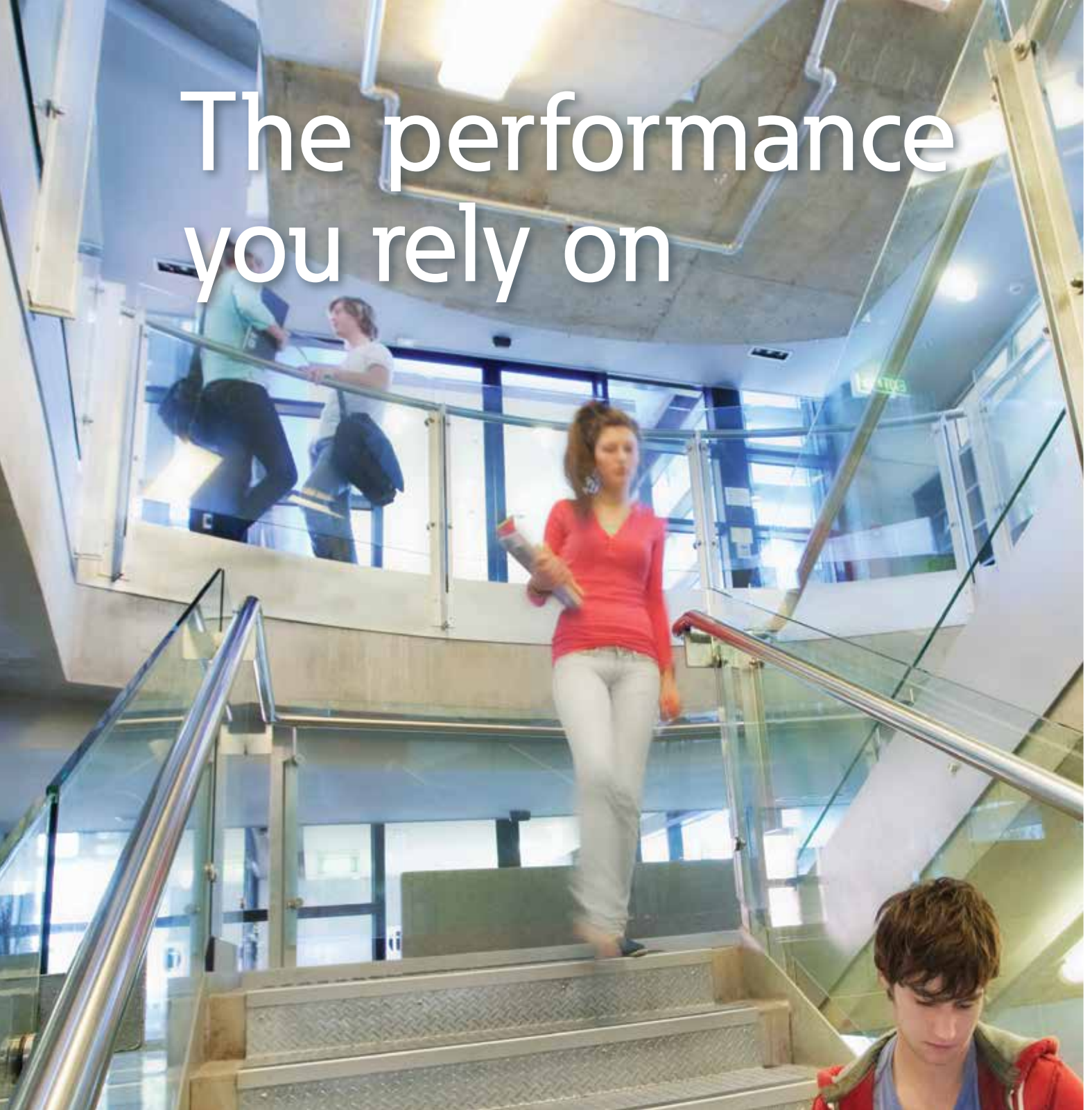


**EATON**

*Powering Business Worldwide*



# The performance you rely on



**EATON**

*Powering Business Worldwide*

When it comes to protecting life and property, there's no room for compromise. The leading life safety and mass notification solutions from Eaton's portfolio of technologies are designed to save lives. In the most demanding industrial, residential and commercial environments, Eaton delivers top performance with the expertise, reliability and scalability that your business requires.

From advanced technological solutions for life safety to integrated mass notification systems that reach the right people at the right time, Eaton now offers a whole new level of protection to keep your personnel safe and your business running strong.

**More protection.  
More solutions.  
Expect more.**

[Eaton.com/ExpectMore](http://Eaton.com/ExpectMore)



## Expertise built on experience

Eaton is the industry's foremost developer in advanced technological solutions for fire, life safety and mass notification. For nearly a century, its Wheelock products have stood for innovation, service and expertise. A trusted product line with proven experience, Wheelock offers industry-first, patented technology for the largest range of audible and visual notification appliances. Eaton continues to deliver on our commitment to provide customers with innovative product solutions, exceptional value and outstanding service.

### Eaton

#### Life safety & mass notification solutions

273 Branchport Avenue

Long Branch, NJ 07740

P: (800) 631-2148 F: (732) 222-8707

### Table of Contents

#### Life Safety Notification

Audible/Visual Appliances	5
Sounders and Sounder Strobes	7
Horns and Horn Strobes	10
Strobes	20
Amber & Colored Lens Appliances	25–27, 34, 37, 42
Chimes and Chime Strobes	28
Bells	29
Weatherproof Appliances	32
Speakers and Speaker Strobes	35
Supervised Horns and Cluster Speakers	47
Manual Pull Stations	52
Sync Modules and Power Supplies	54
Accessories	57

#### Explosion-Proof and Hazardous Signaling

Strobes	69
Horns, Speakers and Combo Units	76
Explosion-Proof and Hazardous Location Call Points, Bells, Relay	81

#### Industrial Signals

Strobes	87
Multitones and Multitone Strobes	90
Bells	94
Horns	98

#### Telephone Signaling and Commercial Audio

Telephone Alerts, Telestrobes, Relays	102
Power Supplies	105
Paging Speakers, Horns, Volume Controls	106

#### Voice Evacuation/Mass Notification

Indoor Communication Systems and Accessories	112
SAFEPATH In-Building Mass Notification System	123
Wide-Area High-Power Speaker Arrays	126

#### Index

129

This Product Catalog contains concise information on Eaton's portfolio of products for use in Life Safety applications.

For more information, including detailed specification and instruction sheets, visit our website: [www.eaton.com/massnotification](http://www.eaton.com/massnotification).

#### Contact Information:

General Sales: [LifeSafety@eaton.com](mailto:LifeSafety@eaton.com)

Customer Support: 1-800-631-2148, Option 2; [cnordersnj@eaton.com](mailto:cnordersnj@eaton.com)

Technical Support: 1-800-631-2148, Option 3

Marketing Support: 1-800-631-2148, Option 7





# Life Safety Notification

Eaton has been an industry leader for nearly a century offering the broadest line of life safety notification appliances and accessories to meet your needs while complying with the latest codes and standards such as UL and NFPA.

- Audible/Visual Appliances
- Manual Pull Stations
- Sync Modules and Power Supplies
- Accessories





## Audible/Visual Appliances

- Sounders and Sounder Strobes
- Horns and Horn Strobes
- Strobes
- Colored Lens Appliances
- Chimes and Chime Strobes
- Bells
- Weatherproof Appliances
- Speakers and Speaker Strobes
- Supervised Horns and Cluster Speakers



# Introducing the Exceder LED3 product range

## Compliant, compatible, compact, and energy efficient

The Wheelock Exceder LED3 product line is the industry's first conventional line of LED appliances to meet the 20 millisecond light pulse duration requirements of NFPA 72 2016. By meeting this requirement, the Exceder LED3 line has been listed by UL to allow mixing of Wheelock xenon devices in the same field of view. With the Exceder LED3 line, Eaton now offers a full range of low and high candela appliances with its other product lines, ideal for both retrofits and new construction.

This product line has also been UL/ULC listed as compatible with all fire alarm control panels and accessories that have been determined to be compatible with Wheelock RSS strobe-based products.

With its high-efficiency LEDs, the Wheelock Exceder LED3 product range features the industry's lowest current draw, which not only reduces overall power consumption but also allows for a greater number of appliances on the NAC. This results in fewer power supplies, reducing material and system costs. Additionally, these aesthetically pleasing notification appliances also incorporate a compact design, allowing these devices to easily blend with any building décor.

### Energy efficient & environmentally friendly

- LED technology provides lowest current draw in the industry
- Fewer power supplies required, smaller wire gauge, reduced wire runs

### Low profile design

- One of the smallest most compact designs
- Sleek, modern aesthetics





# Exceder LED3 low frequency sounders

First in the industry to meet NFPA's fire alarm and Carbon Monoxide (CO) latest code requirements for sleeping areas.



With the Exceder LED3 low frequency sounder line, organizations can now meet both sleeping room codes—NFPA 72 and NFPA 720—swith one device, which features two different sound patterns, T3 for fire detection and T4 for CO. The low frequency sounders can replace a facility's existing appliances, utilizing the same single pair of wires that are currently installed, offering a simple retrofit to meet new codes for sleeping rooms.

The Exceder LED3 low frequency sounders and sounder strobes feature multiple 520 Hz modes of operation: T3, T4, Continuous, and T3/T4. When the device is set to T3/T4, the appliance can switch from T3 to T4 based upon the condition sensed by the fire alarm control panel.

Like the entire Wheelock Exceder LED3 product line, the models feature one of the industry's smallest footprints and a sleek, modern, low-profile design.

#### Meets 520 Hz sounder codes for sleeping areas

- NFPA 72 for fire alarm signaling
- NFPA 720 for CO alarm signaling

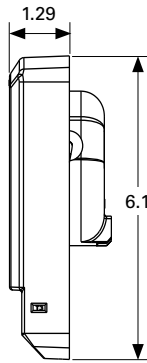
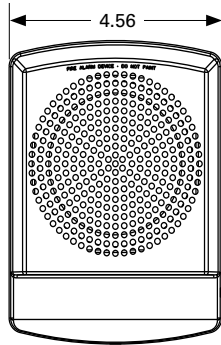
#### 4 Settings in 1 device

- T3 (fire)
- T4 (CO)
- Continuous (coded)
- T3/T4

#### Approvals and compliance

- UL 2034, UL 1971, UL 464
- ULC S525, ULC S526
- ADA/NFPA/ANSI/OSHA

Wall Sounders



Wall Mount Horns

Model Number	Finish	Lettering
LFHNKR3	Red	FIRE
LFHNKW3	White	FIRE
LFHNKR3-AL	Red	ALERT
LFHNKW3-AL	White	ALERT
LFHNKR3-CO	Red	CO
LFHNKW3-CO	White	CO
LFHNKR3-N	Red	No Lettering
LFHNKW3-N	White	No Lettering

Mounting Options: NN, PP

Series **Exceder LED3** Low Frequency Sounders

Available features and options:

- Meets both NFPA 72 and 720 low frequency sounder requirements for sleeping areas
- One device includes 2 sound patterns: T3 (fire) and T4 (CO)
- Multiple 520Hz modes of operations

**Finish Color:** Red or White

**Mounting:** Wall

**Voltage:** 24 VDC

**Backbox Mounting Options:** LFTP trim plate for single-gang backbox included in all LFHNK/LFHNSK models; Exceder LSPKBB backboxes and 4" square backboxes

**Approvals:** UL, ULC, CSFM

Sounder Only Current Draw

		UL/ULC Max Current
		24VDC
Model	Horn Settings	16.0-33.0
LFHNK3	Continuous	0.113
	Code 3	0.113
	Code 4	0.113
	Code 3/Code 4	0.113

Sound Output (SPL) - UL

		Reverberant dBA per UL 464		
LFHNK3 24V				
Description	16.0V	24.0V	33.0V	
Continuous	80	80	80	
Code 3	76	76	76	
Code 4	85	85	85	
Code 3/Code 4	76/85	76/85	76/85	

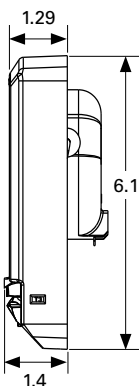
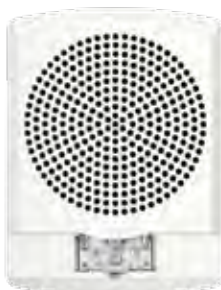
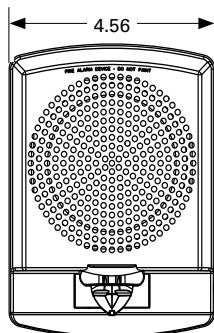
Sound Output (SPL) - ULC

		dBA per ULC S525-07		
LFHNK3				
Description	16.0V	24.0V	33.0V	
Continuous	80	80	80	
Code 3	80	80	80	
Code 4	80	80	80	
Code 3/Code 4	80	80	80	

**Note:** Reference pages 58-65 for additional mounting information.



**Wall Sounder Strobes**



**Wall Mount Sounder Strobes**

Model Number	Finish	Lettering
LFHSKR3	Red	FIRE
LFHSKW3	White	FIRE
LFHSKR3-AL	Red	ALERT
LFHSKW3-AL	White	ALERT
LFHSKR3-CO	Red	CO
LFHSKW3-CO	White	CO
LFHSKR3-N	Red	No Lettering
LFHSKW3-N	White	No Lettering

Mounting Options: NN, PP

**Series Exceder LED3 Low Frequency Sounder Strobes**

**Available features and options:**

- Meets both NFPA 72 and 720 low frequency sounder requirements for sleeping areas
- One device includes 2 sound patterns: T3 (fire) and T4 (CO)
- Multiple 520Hz modes of operations

**Finish Color:** Red or White

**Mounting:** Wall

**Candela:** 110

**Voltage:** 24 VDC

**Backbox Mounting Options:** LFTP trim plate for single-gang backbox included in all LFHnk/LFHsk models; Exceder LSPKBB backboxes and 4" square backboxes

**Approvals:** UL, ULC, CSFM

**Wall Mount Sounder Strobes**

Model	Horn Settings	UL/ULC Max Current
		24VDC
		<b>16.0-33.0</b>
LFHSK3	Continuous	0.290
	Code 3	0.290
	Code 4	0.290
	Code 3/Code 4	0.290

**Reverberant dBA per UL 464**

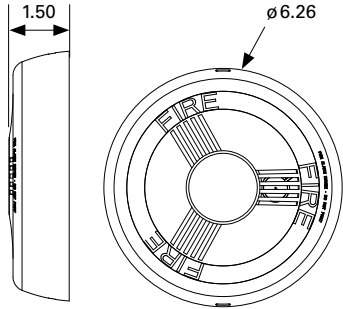
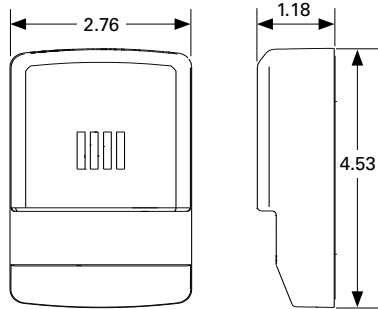
<b>LFHSK3 24V</b>				
Description	16.0V	24.0V	33.0V	
Continuous	80	80	80	
Code 3	76	76	76	
Code 4	85	85	85	
Code 3/Code 4	76/85	76/85	76/85	

**dBA per ULC S525-07**

<b>LFHSK3</b>				
Description	16.0V	24.0V	33.0V	
Continuous	80	80	80	
Code 3	80	80	80	
Code 4	80	80	80	
Code 3/Code 4	80	80	80	

**Note:** Reference pages 58-65 for additional mounting information.

## Wall and Ceiling Horns



## Series Exceder LED3 Wall and Ceiling Horns

### Available features and options:

- Superior sound penetration for various ambient and room conditions
- 8 Alerting sounds
- 2 Selectable sound outputs

**Finish Color:** Red or White

**Mounting:** Wall or Ceiling

**dBA Rating:** 90 or 95

**Voltage:** 12/24 VDC

### Backbox Mounting Options:

- Wall: Exceder LSBB, any single-gang backbox and to 4" square with adapter kit
- Ceiling: Exceder LSPKBB-C backboxes, 4" square (1-1/2" or 2-1/8" deep) and 4" octagonal (1-1/2" or 2-1/8" deep)

**Approvals:** UL, ULC, CSFM

### Wall Mount Horns

Model Number	Finish
LHNR3	Red
LHNW3	White

Mounting Options: LL

### Ceiling Mount Horns

Model Number	Finish
LHNRC3	Red
LHNWC3	White

Mounting Options: 00

### Horn Ratings per UL Anechoic

Model	Regulated Voltage Range VDC	95 dB	90 dB
LHN3	16.0–33.0	0.030	0.022
LHNC3	16.0–33.0	0.037	0.026
LHN3	8.0–17.5	0.024	0.018
LHNC3	8.0–17.5	0.025	0.020

See page 20 for specification information on LED Strobe models.

**Note:** Reference pages 58-65 for additional mounting information.



Wall and Ceiling Horn Strobes



Series **Exceder LED3** Wall and Ceiling Horn Strobes

Available features and options:

- Superior sound penetration for various ambient and room conditions
- 8 Alerting sounds
- 2 Selectable sound outputs
- 4 Selectable candela settings

**Finish Color:** Red or White

**Mounting:** Wall or Ceiling

**dBa Rating:** 90, 95

**Voltage:** 24 VDC

**Strobe Candela:**

- Wall: 15/30/75/110
- Ceiling: 15/30/75/95

**Backbox Mounting Options:**

- Wall: Exceder LSBB, any single-gang backbox and to 4" square with adapter kit
- Ceiling: Exceder LSPKBB-C backboxes, 4" square (1-1/2" or 2-1/8" deep) and 4" octagonal (1-1/2" or 2-1/8" deep)

**Approvals:** UL, ULC, CSFM

Wall Mount Horn Strobes

Model Number	Finish
LHSR3	Red
LHSW3	White

Mounting Options: LL

Ceiling Mount Horn Strobes

Model Number	Finish
LHSRC3	Red
LHSWC3	White

Mounting Options: 00

Horn Strobe Ratings per UL 1971 & Anechoic at 24 VDC

Model Number	Regulated Voltage Range VDC	24 VDC				
		15	30	75	95	110
<b>UL Max Current at 95 dBA</b>						
LHS3	16.0–33.0	0.034	0.046	0.105	–	0.197
LHSC3	8.0–33.0	0.044	0.061	0.169	0.267	–
<b>UL Max Current at 90 dBA</b>						
LHS3	16.0–33.0	0.032	0.042	0.102	–	0.196
LHSC3	8.0–33.0	0.042	0.060	0.168	0.264	–

**Note:** Reference pages 58-65 for additional mounting information.

**Series Exceder Wall and Ceiling Horns**

**Wall and Ceiling Horns**

**Available features and options:**

- Superior sound penetration for various ambient and room conditions
- 3 Selectable sound outputs

**Finish Color:** Red or White

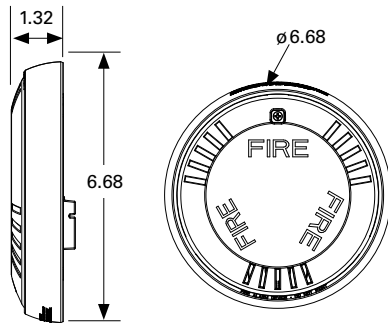
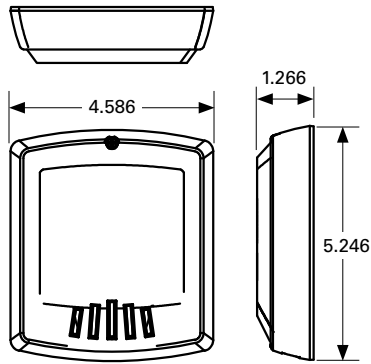
**Mounting:** Wall

**Voltage:** 12 or 24 VDC, 120 VAC

**dBA Rating:** 90, 95, 99

**Backbox Mounting Options:** 1 gang, 2 gang, 4" sq., 3.5" octal. Exceder ESB (wall) and ESBC (ceiling) backboxes

**Approvals:** UL, ULC, FM, CSFM



**Wall Mount Horns**

Model Number	Finish
HNR	Red
HNW	White

Mounting Options: II

**Ceiling Mount Horns**

Model Number	Finish
HNRC	Red
HNWC	White

Mounting Options: JJ

**Horn Ratings per UL Anechoic**

Model	Regulated Voltage Range VDC	99 dB	95 dB	90 dB
HN	16.0–33.0	0.064	0.044	0.022
HNC	16.0–33.0	0.084	0.044	0.022
HN	8.0–17.5	0.047	0.026	0.017
HNC	8.0–17.5	0.047	0.026	0.017

**Note:** Reference pages 58-65 for additional mounting information.

Wall and Ceiling Horn Strobes



Series Exceder Wall and Ceiling Horn Strobes

Available features and options:

- Superior sound penetration for various ambient and room conditions
- 3 Selectable sound outputs
- 8 candela settings

**Finish Color:** Red or White

**Mounting:** Wall or Ceiling

**dB A Rating:** 90, 95, 99

**Voltage:** Selectable 12/24 VDC

**Strobe Candela:**

- Selectable Wall: 15/1575/30/75/95/110/135/185
- Ceiling: 15/30/60/75/95/115/150/177

**Backbox Mounting Options:** 1 gang, 2 gang, 4" sq., 3.5" octal. Exceder ESB (wall) and ESBC (ceiling) backboxes

**Approvals:** UL, ULC, FM, CSFM

Wall Mount Horn Strobes

Model Number	Finish
HSR	Red
HSW	White

Mounting Options: II

Ceiling Mount Horn Strobes

Model Number	Finish
HSRC	Red
HSWC	White

Mounting Options: JJ

Horn Strobe Ratings per UL 1971 & Anechoic at 24 VDC

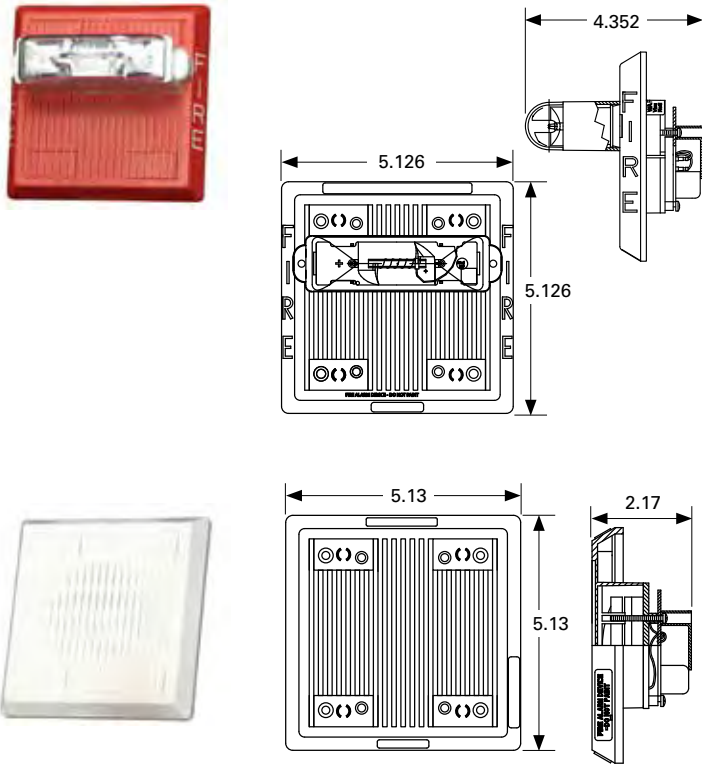
Model Number	Regulated Voltage Range VDC	24 VDC											12 VDC		
		15	15/75	30	60	75	95	110	115	135	150	177	185	15	15/75
<b>UL Max Current at 99 dBA</b>															
HS	8.0-33.0	0.082	0.095	0.102	-	0.148	0.176	0.197	-	0.242	-	-	0.282	0.125	0.159
HSC	8.0-33.0	0.082	-	0.102	0.141	0.148	0.176	-	0.197	-	0.242	0.282	-	0.125	-
<b>UL Max Current at 95 dBA</b>															
HS	8.0-33.0	0.073	0.083	0.087	-	0.139	0.163	0.186	-	0.230	-	-	0.272	0.122	0.153
HSC	8.0-33.0	0.073	-	0.087	0.128	0.139	0.163	-	0.186	-	0.230	0.272	-	0.122	-
<b>UL Max Current at 90 dBA</b>															
HS	8.0-33.0	0.065	0.075	0.084	-	0.136	0.157	0.184	-	0.226	-	-	0.267	0.120	0.148
HSC	8.0-33.0	0.065	-	0.084	0.120	0.136	0.157	-	0.184	-	0.226	0.267	-	0.120	-

**Note:** Reference pages 58-65 for additional mounting information.



# Horns & Horn Strobes

## Wall & Ceiling Horns and Horn Strobes



## Series HS/HS4 Wall & Ceiling Horns and Horn Strobes

### Available features and options:

- 2–4 Wire applications
- Selectable candela

**Finish Color:** Red or White

**Mounting:** Wall or Ceiling

**dBA Rating:** 90, 95, 99

**Voltage:** 24 VDC

### Strobe Candela:

- Wall: 15/30/75/110cd or 135/185cd
- Ceiling: 15/30/75/95cd or 115/177cd

**Approvals:** UL, MEA, CSFM, FM

### Wall Mount Horn Strobes

Model Number	Finish	Order Code
<b>15/30/75/110cd</b>		
HS4-24MCW-FR	Red	3150
HS4-24MCW-FW	White	3151
<b>135/185cd</b>		
HS4-24MCWH-FR	Red	3132
HS4-24MCWH-FW	White	3148

### Ceiling Mount Horn Strobes

Model Number	Finish	Order Code
<b>15/30/75/95cd</b>		
HS4-24MCC-FR	Red	6264
HS4-24MCC-FW	White	6250
<b>115/117cd</b>		
HS4-24MCCH-FR	Red	6228
HS4-24MCCHF-W	White	6225

Mounting Options: D, E, F, L, M, O, P, R

### Wall or Ceiling Mount Horns

Model Number	Finish	Order Code
HS-24-R	Red	3152
HS-24-W	White	3153

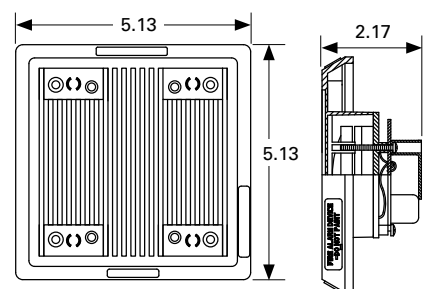
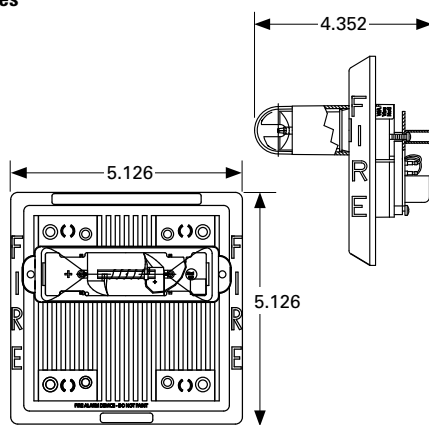
Mounting Options: D, E, F, L, M, O, P, R

### UL Max. Strobe Current

Models	16–33 VDC			
	15cd	30cd	75cd	110cd
Wall	0.060	0.092	0.165	0.220

**Note:** Reference pages 58-65 for additional mounting information.

**Multitone and Multitone Strobes**



**Series MT Multitone and Multitone Strobes**

**Available features and options:**

- 4 Wire applications
- 8 Selective signals to provide superior sound penetration for various ambient and wall conditions
- 2 Selectable sound outputs

**Finish Color:** Red or White

**Mounting:** Wall or Ceiling

**Voltage:** 12, 24 VDC, 115 VAC (model dependent)

**Strobe Candela:**

- Wall: 15/30/75/110cd or 135/185cd (multi-candela) or 1575cd (single candela)
- Ceiling: 15/30/75/95cd or 115/177cd

**Approvals:** UL, MEA, CSFM, FM, ULC

**Wall Mount Multitone Strobes**

15/30/75/110cd	Finish/Ltr	Order Code
MT-24MCW-FR	Red	3301
MT-24MCW-FW	White	3302
MT-24MCW-AR	Red, Alarm	3304
MT-24MCW-NW	White, No Ltr	3305
<b>1575cd</b>		
MT-121575W-FR	Red	8421
MT-121575W-FW	White	9461
MT-121575W-NW	White, No Ltr	9747
<b>15cd</b>		
MT4-115-WH-VFR	Red	6224
MT4-115-WH-VNS	Silver, No Ltr	6143

Mounting Options: D, E, F, J, L, M, N, O, P, R (MT) D, E, J, K, N, O, R (MT4)

**Wall or Ceiling Mount Multitones**

Model Number	Finish	Order Code
MT-12/24-R	Red	5023
MT-12/24-W	White	5024
MT4-12/24-R	Red	5308
MT4-12/24-S	Silver	7997
MT4-115-R	Red	6223
MT4-115-S	Silver	6142

Mounting Options: D, E, F, J, L, M, N, O, P, R (MT) D, E, J, K, N, O, R (MT4)

**UL Max. Strobe Current**

16-33 VDC					
15/75 cd (8-17.5 VDC)	15cd	30cd	75cd	110cd	15/75cd
0.255	0.060	0.092	0.165	0.220	0.090

**UL Max. Current**

	16-33 VDC		8-17.5 VDC		120 VAC	
	HI Out	STD Out	HI Out	STD Out	HI Out	STD Out
Horn	0.108	0.044	0.176	0.034	0.050	0.042
Bell	0.053	0.024	0.095	0.020	0.041	0.039
March Time Horn	0.104	0.038	0.142	0.034	0.050	0.040
Code-3 Horn	0.091	0.035	0.142	0.034	0.050	0.042
Code-3 Tone	0.075	0.035	0.105	0.021	0.042	0.040
Slow Whoop	0.098	0.037	0.142	0.035	0.050	0.042
Siren	0.104	0.036	0.152	0.030	0.045	0.041
Hi/Lo	0.057	0.025	0.114	0.026	0.042	0.039

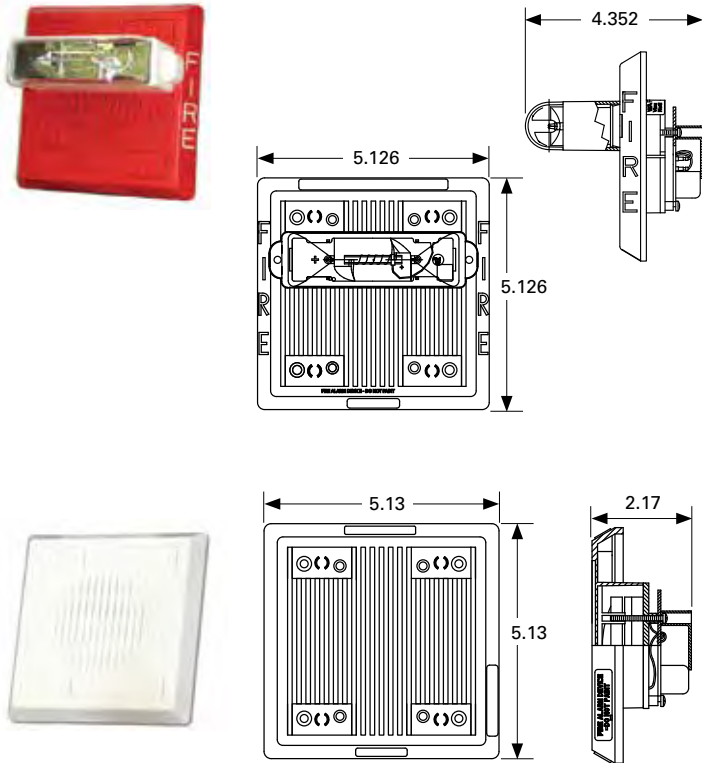
**dBA**

	dBA @ 10 ft. (UL Reverberant)				dBA @ 10 ft. (anechoic)		dBA @ 10 ft. (UL Reverberant)	
	16-33 VDC		8-17.5 VDC		8-17.5 and 16-33 VDC		120 VAC	
	HI Out	STD Out	HI Out	STD Out	HI Out	STD Out	HI Out	STD Out
Horn	92	87	92	87	99	93	88	82
Bell	86	80	86	80	92	87	82	75
March Time Horn	89	84	89	84	99	93	85	79
Code-3 Horn	88	83	88	83	99	93	85	75
Code-3 Tone	85	80	85	80	95	90	79	75
Slow Whoop	90	85	90	85	99	94	88	82
Siren	89	84	89	84	98	93	85	82
Hi/Lo	86	81	86	81	93	88	82	79

For the Series MTWP and MT-12/24 Weatherproof Appliance, please see pages 32-33, 92.

**Note:** Reference pages 58-65 for additional mounting information.

## Multitone and Multitone Strobes



## Series AMT Multitone and Multitone Strobes

### Available features and options:

- 3 Distinct prioritized audible signals from 3 isolated inputs
- Ideal for combination fire and burglary and suppression systems

**Finish Color:** Red or White

**Mounting:** Wall or Ceiling

**Voltage:** 12/24 or 24 VDC

**Strobe Candela:** 15/30/75/110cd or 135/185cd

**Approvals:** UL, MEA, CSFM, FM, ULC

### Wall Mount Multitone Strobes

Model Number	Finish/Ltr	Order Code
<b>15/30/75/110cd</b>		
AMT-24MCW-FR	Red	3300
AMT-24MCW-FW	White	3302
AMT-24MCW-NW	White, No LTR	5587

### Wall or Ceiling Mount Multitones

Model Number	Finish	Order Code
AMT-12/24-R	Red	5887
AMT-12/24-W	White	5893
AMT-12/24-R-NYC	Red	7920

Mounting Options: D, E, F, L, M, N, O, P, R

### UL Max. Strobe Current

16-33 VDC			
15cd	30cd	75cd	110cd
0.060	0.092	0.165	0.220

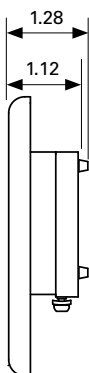
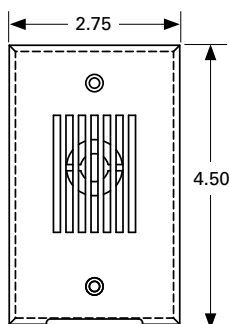
### UL Max. Current

	16-33 VDC		8-17.5 VDC	
	HI Out	STD Out	HI Out	STD Out
Horn	0.108	0.043	0.210	0.058
Bell	0.057	0.026	0.117	0.031
March Time Horn	0.108	0.035	0.210	0.059
Code-3 Horn	0.108	0.043	0.210	0.057
Code-3 Tone	0.060	0.030	0.168	0.052
Slow Whoop	0.112	0.044	0.182	0.056
Siren	0.102	0.038	0.177	0.055
Hi/Lo	0.064	0.030	0.131	0.028
Vibrating Chime	0.041	0.020	0.090	0.028

**Note:** Reference pages 58-65 for additional mounting information.



**Horns**



**Series MIZ Horns**

**Available features and options:**

- High sound output with low current draw
- Ideal for alarm signaling in individual rooms, apartments, hotels, and offices

**Finish Color:** Red or White

**Mounting:** Wall, single-gang boxes

**dB Rating:** 78–87, Continuous or Code 3 Output

**Voltage:** 24 VDC

**Approvals:** UL, MEA, CSFM, FM, ULC

**Wall Mount Mini Horn**

Model Number	Finish	Order Code
MIZ-24S-R	Red	8485
MIZ-24S-W	White	8484

Mounting Options: B

**UL Max. Current**

**16–33 VDC**

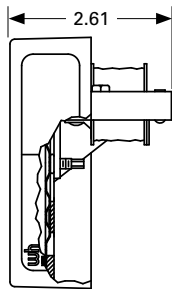
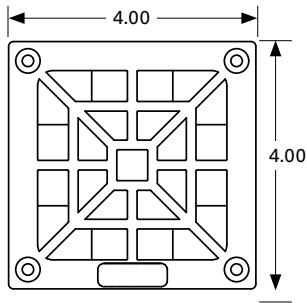
0.026

**Horn Strobe Ratings per UL 1971 & Anechoic at 24 VDC**

	Reverberant dBA per UL 464 @ 10 ft		Anechoic dBA @ 10 ft	
	Continuous	Code 3	Continuous	Code 3
24 VDC	83	78	87	87

**Note:** Reference pages 58-65 for additional mounting information.

**Electric Horn**



**Series 31T Electronic Horn**

**Available features and options:**

- Ideal for high sound output for life safety applications
- Low current draw

**Finish Color:** Red or Gray

**Mounting:** Wall or Ceiling

**dBA Rating:** 87

**Voltage:** 115 VAC

**Approvals:** UL, FM, CSFM

Model Number	Finish	Order Code
31T-115-R	Red	2805
31T-115-S	Gray	0521

Mounting Options: D, E, J, K, N, O, R

**UL Max. Current**

115 VAC	dBA @ 10 ft
0.160	87

**Note:** Reference pages 58-65 for additional mounting information.

# Life Safety Innovation



## Industry's first LED notification appliances

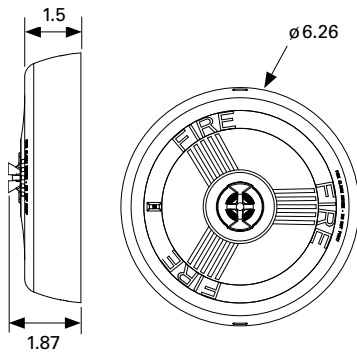
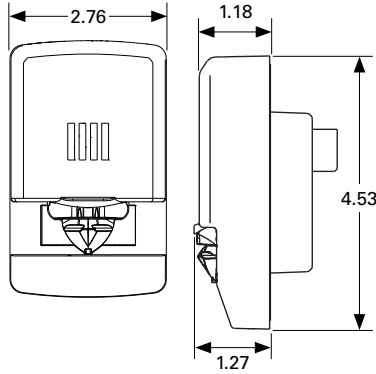
Eaton's Wheelock Exceder LED3 notification appliances are the industry's first LED conventional devices to comply with the latest NFPA code requirements for flash duration. By meeting the NFPA's 20 millisecond flash duration requirements for strobes, customers can now mix xenon and LED devices in the same field of view. Eaton's advanced, energy-efficient LED design requires less power, allowing more devices to be connected to fewer

power supplies as well as helping commercial and industrial customers reduce overall costs for fire alarm systems. These sleek, modern devices are ideal for retrofit applications as well as new construction since Eaton offers a complete range of low and high candela offerings with its other Wheelock product lines.

[www.eaton.com/massnotification](http://www.eaton.com/massnotification)



Wall and Ceiling Strobes



Series **Exceder LED3** Wall and Ceiling Strobes

Available features and options:

- Energy efficient & environmentally friendly
- Low-profile design
- Easy to install

**Finish Color:** Red or White

**Mounting:** Wall or Ceiling

**Voltage:** 24 VDC

**Strobe Candela:**

- Wall: 15/30/75/110
- Ceiling: 15/30/75/95

**Backbox Mounting Options:**

- Wall: Exceder LSBB, any single-gang backbox and to 4" square with adapter kit
- Ceiling: Exceder LSPKBB-C backboxes, 4" square (1-1/2" or 2-1/8" deep) and 4" octagonal (1-1/2" or 2-1/8" deep)

**Approvals:** UL, ULC, CSFM

Wall Mount Horn Strobes

Model Number	Finish
LSTR3	Red
LSTW3	White

Mounting Options: KK, LL

Ceiling Mount Horn Strobes

Model Number	Finish
LSTRC3	Red
LSTWC3	White

Mounting Options: 00

See pages 10 & 11 for specification information on LED Horn & Horn Strobe models.

UL Max. Current

Model	Regulated Voltage Range VDC	24 VDC			
		15cd	30cd	75cd	110cd
LST3	16.0–33.0	0.030	0.040	0.100	0.195
LSTC3	16.0–33.0	0.040	0.053	0.155	0.248

**Note:** Reference pages 58-65 for additional mounting information.



Industry's first LED appliances  
Lowest current draw in the industry



#### Features:

- **Energy Efficient & Environmentally Friendly**

- Patented LED technology provides industry's lowest current draw
- Fewer power supplies required, smaller wire gauge, reduced wire runs

- **Low-Profile Design**

- One of the smallest, most compact designs
- Sleek, modern aesthetics
- Ceiling and wall models
- No visible mounting screws

- **4 Field Selectable Settings in 1 Device**

- Wall: 15/30/75/110
- Ceiling: 15/30/75/95

- **Easy-to-Install**

- Finger slide switches—no tools needed for setting changes
- Convenient mounting options
- In/out screw terminals for faster installation
- #12 through #18 AWG terminals

- **Strobe Synchronization Components**

- Meet stringent synchronizing standards with Wheelock's DSM sync modules, power supplies or SAFEPATH family of products
- Ability to mix xenon and LED strobes in the same field of view

- **Compliance**

- UL Standards 1971 & 464
- ULC-S525 and ULC-S526
- FCC Part 15
- CSFM

**Series Exceder Wall and Ceiling Strobes**

**Wall and Ceiling Strobes**

**Available features and options:**

**Finish Color:** Red or White

**Mounting:** Wall or Ceiling

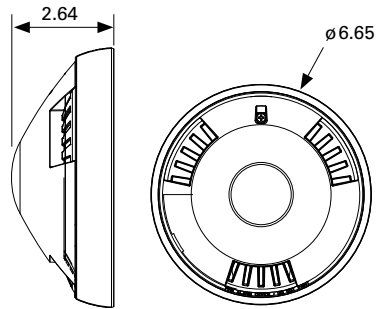
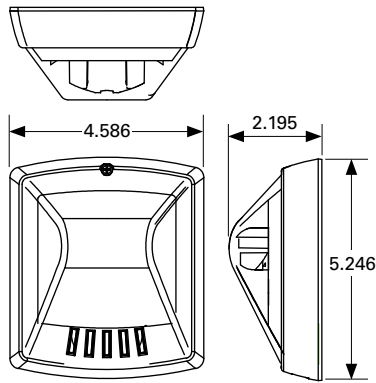
**Voltage:** Selectable 12/24 VDC

**Strobe Candela:**

- Selectable Wall: 15/1575/30/75/95/110/135/185
- Ceiling: 15/30/60/75/95/115/150/177

**Backbox Mounting Options:** 1 gang, 2 gang, 4" sq., 3.5" octal. Exceder ESB (wall) and ESBC (ceiling) backboxes

**Approvals:** UL, ULC, FM, CSFM



**Wall or Ceiling Mount Strobes**

Model Number	Finish
STR	Red
STW	White
STRC	Red
STWC	White

Mounting Options: II (wall), JJ (ceiling)

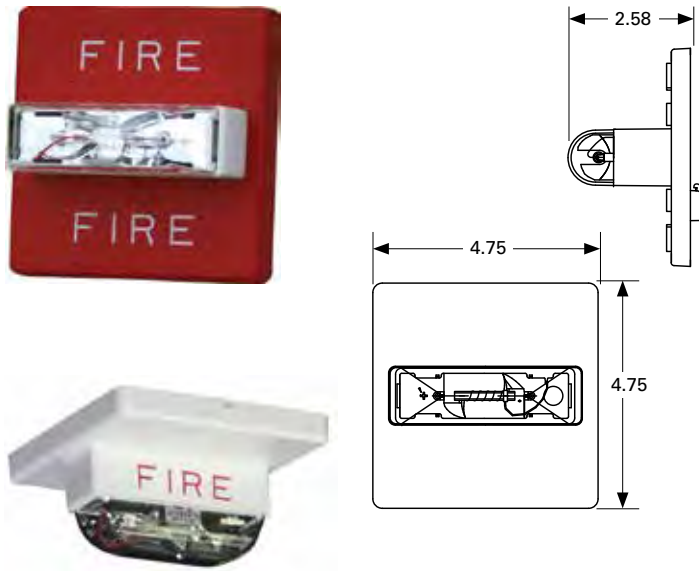
**UL Max. Current**

Model Number	Regulated Voltage Range VDC	24 VDC/24 FWR											12 VDC		
		15	19	30	60	75	95	110	115	135	150	177	185	15	15/75
ST	8.0–33.0	0.057	0.070	0.085	–	0.135	0.163	0.182	–	0.205	–	–	0.253	0.110	0.140
STC	8.0–33.0	0.061	–	0.085	0.103	0.135	0.163	–	0.182	–	0.205	0.253	–	0.110	–

**Note:** Reference pages 58-65 for additional mounting information.



**Wall and Ceiling Strobes**



**Series RSS Wall and Ceiling Strobes**

**Available features and options:**

**Finish Color:** Red or White

**Mounting:** Wall or Ceiling

**Voltage:** 24 VDC

**Strobe Candela:**

- Wall: 15/30/75/110cd or 135/185cd
- Ceiling: 15/30/75/95cd or 115/177cd

**Backbox Mounting Options:** 1 gang, 2 gang, 4" sq., 3.5" octal

**Approvals:** UL, ULC, CSFM, FM, BFP

**Wall Mount Strobes**

Model Number	Finish/Ltr	Order Code
<b>15/30/75/110cd</b>		
RSS-24MCW-FR	Red	9400
RSS-24MCW-FW	White	9401
RSS-24MCW-NR	Red, No Ltr	3190
RSS-24MCW-NW	White, No Ltr	8219
RSS-24MCW-ALR	Red, Alert Ltr	4840
RSS-24MCW-ALW	White, Alert Ltr	5842
RSS-24MCW-AR	Red, Agent Ltr	9773
<b>135/185cd</b>		
RSS-24MCWH-FR	Red	3465
RSS-24MCWH-FW	White	3464

**Ceiling Mount Strobes**

Model Number	Finish	Order Code
<b>15/30/75/95cd</b>		
RSS-24MCC-FR	Red	3157
RSS-24MCC-FW	White	3158
RSS-24MCC-NW	White, No Ltr	3183
RSS-24MCC-ALW	White, Alert Ltr	9789
<b>115/117cd</b>		
RSS-24MCCH-FR	Red	3460
RSS-24MCCH-FW	White	3461

Mounting Options: B, D, E, F, G, H, J, N, O, P, R, X

**UL Max. Current**

Model	16-33 VDC					
	15cd	30cd	75cd	110cd	135cd	185cd
RSS-Wall	0.060	0.092	0.165	0.220	0.300	0.420

**UL Max. Strobe Current**

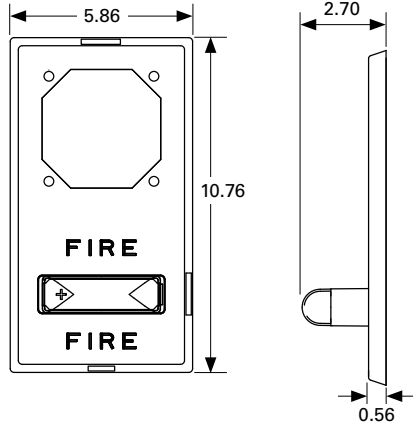
Model	15/75cd	8-17.5 VDC
	16-33 VDC	
RSS-Wall	0.090	0.255

**UL Max. Strobe Current**

Model	16-33 VDC					
	15cd	30cd	75cd	95cd	115cd	177cd
RSS-Ceiling	0.065	0.105	0.189	0.249	0.300	0.420

**Note:** Reference pages 58-65 for additional mounting information.

**Strobe Plates**



**Series RSSP Strobe Plates**

**Available features and options:**

- Designed for retrofitting existing audible appliances to strobe applications

**Finish Color:** Red or White

**Mounting:** Wall

**Strobe Candela:** 15/30/75/95/110 or 135/185

**Approvals:** UL, MEA, CSFM, FM, BFP, ULC

**Strobe Plates**

Model Number	Finish	Order Code
<b>15/30/75/110cd</b>		
RSSP-24MCW-FR	Red	9402
RSSP-24MCW-FW	White	9403
<b>135/185cd</b>		
RSSP-24MCWH-FR	Red	9482
RSSP-24MCWH-FW	White	0281

**UL Max. Current**

Model	16-33 VDC					
	15cd	30cd	75cd	110cd	135cd	185cd
RSS-Wall	0.060	0.092	0.165	0.220	0.300	0.420

**Note:** Reference pages 58-65 for additional mounting information.

**Amber Lens Strobes**



**Series Exceder LED3 Amber Lens Strobes**

**Available features and options:**

- Energy efficient & environmentally friendly
- Low-profile design
- Easy to install
- Ideal for mass notification and emergency communication applications

**Finish Color:** Red or White

**Lens Color:** Amber

**Mounting:** Wall or Ceiling

**Special lettering:** ALERT, No Lettering

**Voltage:** 24 VDC

**Strobe Candela:**

- Wall: 15/30/75/110
- Ceiling: 15/30/75/95

**Backbox Mounting Options:**

- Wall: Exceder LSBB, any single-gang backbox and to 4" square with adapter kit
- Ceiling: Exceder LSPKBB-C backboxes, 4" square (1-1/2" or 2-1/8" deep) and 4" octagonal (1-1/2" or 2-1/8" deep)

**Approvals:** UL, ULC, CSFM

**Wall Mount Strobes**

Model Number	Finish	Lettering
LSTR3-ALA	Red	ALERT
LSTW3-ALA	White	ALERT
LSTR3-NA	Red	No lettering
LSTW3-NA	White	No lettering

Mounting Options: KK, LL

**Ceiling Mount Strobes**

Model Number	Finish	Lettering
LSTRC3-ALA	Red	ALERT
LSTWC3-ALA	White	ALERT

Mounting Options: OO

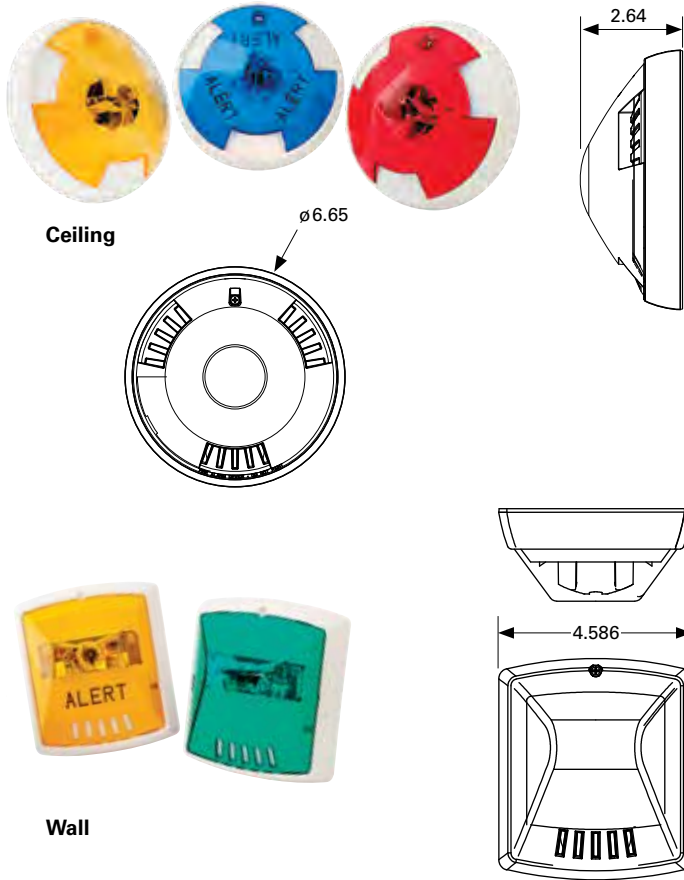
See page 20 for specification information on LED Strobe models.

**UL Max. Current**

Model	Regulated Voltage Range VDC	24 VDC			
		15cd	30cd	75cd	110cd
LST3	16.0–33.0	0.030	0.040	0.100	0.195
LSTC3	16.0–33.0	0.040	0.053	0.155	0.248

**Note:** Reference pages 58-65 for additional mounting information.

Wall and Ceiling Colored Lens Strobes



Series **Exceder** Wall and Ceiling Colored Lens Strobes

Available features and options:

- Designed for effective alerting of employees and personnel in industrial, military or government applications
- 8 Candela settings

**Lens Colors:** Amber, Blue, Green, Red

**Finish Color:** Red or White

**Mounting:** Wall or Ceiling

**Voltage:** Selectable 12/24 VDC

**Strobe Candela:**

- Wall: 15/19/30/75/95/110/135/185
- Ceiling: 15/1575/30/75/95/115/150/177

**Backbox Mounting Options:**

1 gang, 2 gang, 4" sq., 3.5" octal, 4" octal boxes

**Approvals:** UL

Wall Mount Colored Lens Strobes

Model Number	Finish/Ltr
STR-NA	Red, No Ltr, Amber Lens
STW-NA	White, No Ltr, Amber Lens
STR-ALA	Red, Alert Ltr, Amber Lens
STW-ALA	White, Alert Ltr, Amber Lens
STR-NG	Red, No Ltr, Green Lens
STW-NG	White, No Ltr, Green Lens

Mounting Options: II

Ceiling Mount Colored Lens Strobes

Model Number	Finish/Ltr
STRC-NA	Red, No Ltr, Amber Lens
STWC-NA	White, No Ltr, Amber Lens
STRC-ALA	Red, Alert Ltr, Amber Lens
STWC-ALA	White, Alert Ltr, Amber Lens
STRC-NB	Red, No Ltr, Blue Lens
STWC-NB	White, No Ltr, Blue Lens
STRC-NG	Red, No Ltr, Green Lens
STWC-NG	White, No Ltr, Green Lens
STRC-NR	Red, No Ltr, Red Lens
STWC-NR	White, No Ltr, Red Lens
STWC-ALB	White, Alert Ltr, Blue Lens
STRC-AB	Red, Agent Ltr, Blue Lens
STWC-AB	White, Agent Ltr, Blue Lens

Mounting Options: JJ

UL Max. Current

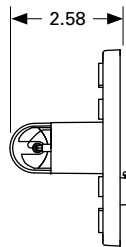
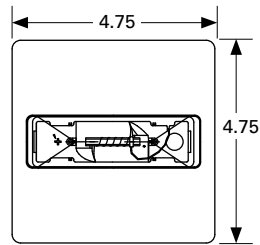
Model Number	Regulated Voltage Range VDC	24 VDC/24 FWR											12 VDC		
		15	19	30	60	75	95	110	115	135	150	177	185	15	15/75
ST	8.0–33.0	0.057	0.070	0.085	–	0.135	0.163	0.182	–	0.205	–	–	0.253	0.110	0.140
STC*	8.0–33.0	0.061	–	0.085	0.103	0.135	0.163	–	0.182	–	0.205	0.253	–	0.110	–
STC-A	8.0–33.0	0.085	–	0.103	0.135	0.212	0.214	–	0.215	–	0.256	–	–	0.142	–

\* Blue, green and red lens models have the same candela as the clear lens models

**Note:** Reference pages 58-65 for additional mounting information.



**Colored Lens Strobes**



**Series RSS Colored Lens Strobes**

**Available features and options:**

- Designed for effective alerting of employees and personnel in industrial, military or government applications
- Wide operating voltage range

**Lens Colors:** Amber, Blue, Green, Red

**Mounting:** Wall or Ceiling

**Voltage:** 24 VDC

**Strobe Candela:** 15/30/75/95 or 115/177

**Approvals:** UL

Product Type	Model Number	Color	Order Code
<b>Strobes</b>	<b>15/30/75/95cd</b>		
	RSSA-24MCC-NW	Amber	0202
	RSSB-24MCC-NW	Blue	0203
	RSSG-24MCC-NW	Green	0204
	RSSR-24MCC-NW	Red	3111
	<b>115/177 cd</b>		
	RSSA-24MCCH-NW	Amber	0525
	RSSB-24MCCH-NW	Blue	6154
	RSSG-24MCCH-NW	Green	6155
	RSSR-24MCCH-NW	Red	6156
<b>Strobe Plates</b>	<b>15/30/75/95cd</b>		
	RSSPA-24MCC-NW	Amber	3308

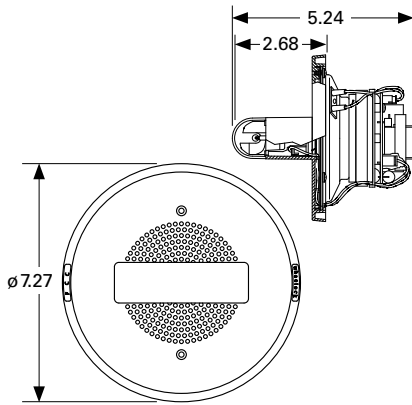
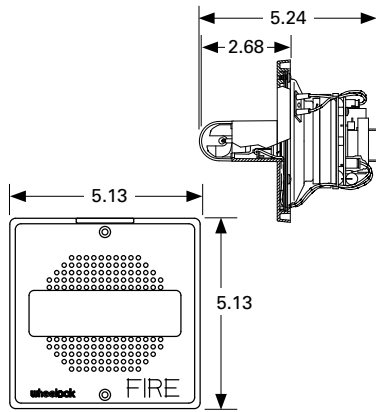
Candela is measured on axis per UL 1638. Models with MCC strobes have 4 field selectable candela settings. MCC settings are rated for clear lens—derate approximately 25% for amber, 55% for green and 70% for blue lenses.

**UL Max. Current**

Series	16–33 VDC			
	15cd	30cd	75cd	95cd
RSS, RSSP	0.065	0.105	0.189	0.249

**Note:** Reference pages 58-65 for additional mounting information.

## Chimes and Chime Strobes



### Wall Mount Chime Strobes

Model Number	Finish	Order Code
<b>15/30/75/110cd</b>		
CH70-24MCW-FR	Red	9018
CH70-24MCW-FW	White	9019
<b>135/185cd</b>		
CH70-24MCWH-FR	Red	9083
CH70-24MCWH-FW	White	9084

### Ceiling Mount Chime Strobes

Model Number	Finish	Order Code
<b>15/30/75/95cd</b>		
CH90-24MCC-FR	Red	3167
CH90-24MCC-FW	White	3168
<b>115/117cd</b>		
CH90-24MCCH-FW	White	3110

Mounting Options: Q, U, V

## Series CH Wall and Ceiling Chimes and Chime Strobes

### Available features and options:

- Ideal for hospital and institutional applications
- Single stroke or vibrating operation
- Replaceable grills

**Finish Color:** Red or White

**Mounting:** Wall or Ceiling

**Voltage:** 24 VDC

**Audible Current:** 0.022

**Tones:** Single stroke or vibrating operations

**Approvals:** UL, MEA, CSFM, BFP

### Wall or Ceiling Mount Chime Strobes

Model Number	Finish	Order Code
CH70-R	Red, Square	7825
CH70-W	White, Square	7827
Mounting Options: L, O, P, Q, R, U, Y		
CH90-R	Red, Round	7828
CH90-W	White, Round	7826
Mounting Options: Q, U, V		

### UL Max. Strobe Current: CH70 Wall Mount Chime Strobes

16-33 VDC					
15cd	30cd	75cd	110cd	135cd	185cd
0.060	0.092	0.165	0.220	0.300	0.420

### UL Max. Strobe Current: CH90 Ceiling Mount Chime Strobes

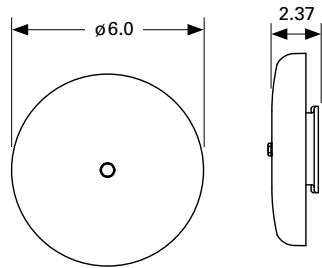
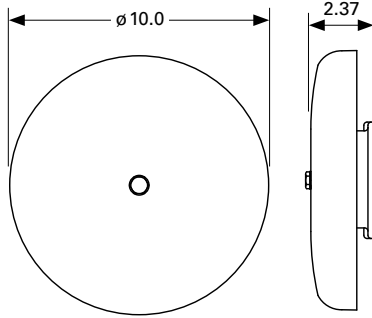
16-33 VDC					
15cd	30cd	75cd	95cd	115cd	177cd
0.065	0.105	0.189	0.249	0.300	0.420

### UL Max. Strobe Current: CH70 or CH90 Wall or Ceiling Mount Chimes

Audible	
16-33 VDC	0.022

**Note:** Reference pages 58-65 for additional mounting information.

**Bells**



**Series 43T Vibrating AC Bells**

**Available features and options:**

- Aluminum bell housing
- Screw terminal connections
- Integral RFI suppression minimizes induced noise on alarm lines
- Semi-flush or surface mounting to standard 4" square backboxes

**Finish Color:** Red or Gray

**Mounting:** Wall

**Sell Size:** 6" and 10"

**Input Voltage:** 24 or 115 VAC

**dBA @ 10 Feet:** 85

**Input Current:** 0.0410 (24 VAC), 0.085 (115 VAC)

**Applications:** Indoor or Outdoor (vandal resistant)

**Approvals:** UL, CSFM, FM, BFP, ULC

Model Number	Finish	Order Code
<b>6" Bells</b>		
43T-G6-24-R	Red	1627
43T-G6-24-S	Gray	1626
43T-G6-115-R	Red	1631
43T-G6-115-S	Gray	1630
<b>10" Bells</b>		
43T-G10-24-R	Red	1647
43T-G10-24-S	Gray	3800
43T-G10-115-R	Red	1651
43T-G10-115-S	Gray	3693

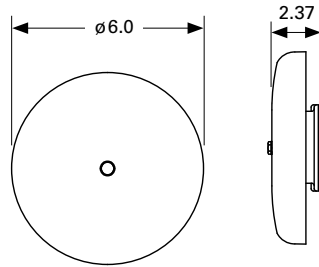
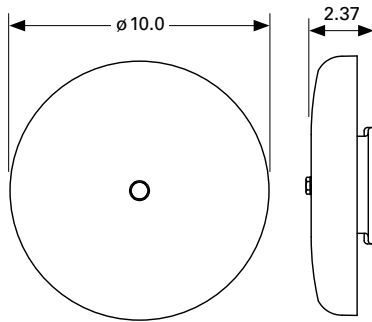
Mounting Options: D, E, J, K, N, O, P, R, S

**Input Current**

24VAC	115 VAC	dBA @ 10 ft.
0.666	0.117	85

**Note:** Reference pages 58-65 for additional mounting information.

**Motor Bells**



**Series MB Motor Bells**

**Available features and options:**

- Aluminum bell housing
- Integral RFI suppression minimizes induced noise on alarm lines
- Semi-flush or surface mounting to standard 4" square backboxes

**Finish Color:** Red or Gray

**Mounting:** Wall

**Sell Size:** 6" and 10"

**Input Voltage:** 12 or 24 VDC

**dBA @ 10 Feet:** 92

**Approvals:** UL, MEA, CSFM, FM, BFP, ULC

Model Number	Finish	Order Code
<b>6" Bells</b>		
MB-G6-12-R	Red	3942
MB-G6-12-S	Gray	4221
MB-G6-24-R	Red	3941
MB-G6-24-S	Gray	4222
<b>10" Bells</b>		
MB-G10-12-R	Red	3944
MB-G10-12-S	Gray	4223
MB-G10-24-R	Red	3943
MB-G10-24-S	Gray	4224

Mounting Options: D, E, J, K, N, O, P, R, S

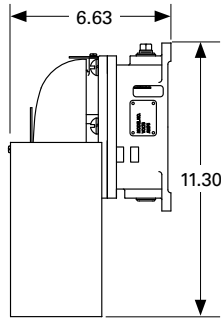
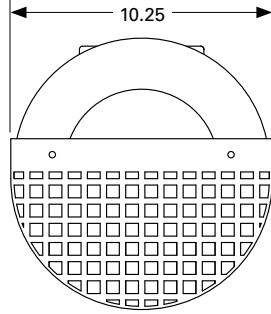
**Input Current**

16-33 VDC	8-17.5 VDC	dBA @ 10 ft.
0.040	0.090	92

**Note:** Reference pages 58-65 for additional mounting information.



**Explosion-Proof Bells**



**Series CVX/CSX Explosion-Proof Bells**

**Available features and options:**

- Available in single stroke and vibrating models
- Available in 24 VDC and 115 VAC versions
- High sound output with large 10" bell shell
- Outdoor models include protective hood and guard

**Finish Color:** Red or Gray

**Sell Size:** 10"

**Input Voltage:** 24 VDC or 115 VAC

**dBA @ 10 Feet:** 90 (vibrating models); 87 (single stroke models)

**Applications:** Indoor or outdoor for atmospheres that contain explosive elements

**Approvals:** UL, CSFM, MEA

**Vibrating Bell Models**

Model Number	Finish	Order Code
<b>Indoor</b>		
CVX10-115-R	Red	3742
CVX10-115-S	Gray	0132
<b>Outdoor</b>		
CVG10-115-R	Red	4930
CVG10-115-S	Gray	0134

**Single Stroke Models**

Model Number	Finish	Order Code
<b>Indoor</b>		
CSX10-115-R	Red	4715
CSX10-115-S	Gray	0166
CSX10-24-R	Red	3582
CSX10-24-S	Gray	0164
<b>Outdoor</b>		
CSXG10-115-R	Red	4929
CSXG10-115-S	Gray	0167
CSXG10-24-R	Red	3402
CSXG10-24-S	Gray	0196

**Input Current: Vibrating Models**

115 VAC	dBA @ 10 ft.
0.220	90

**Input Current: Single Stroke Models**

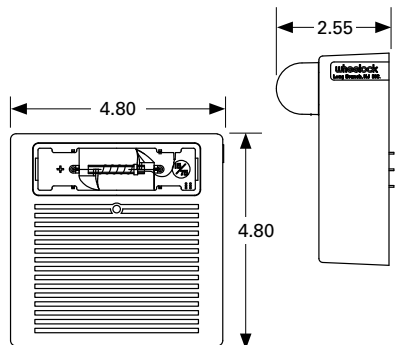
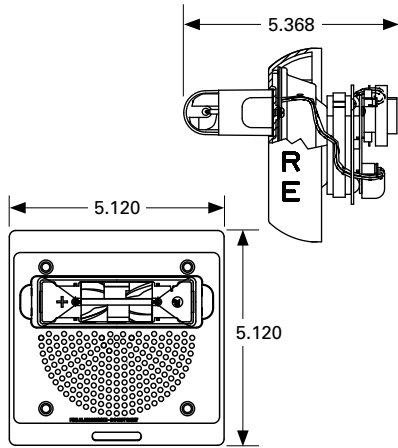
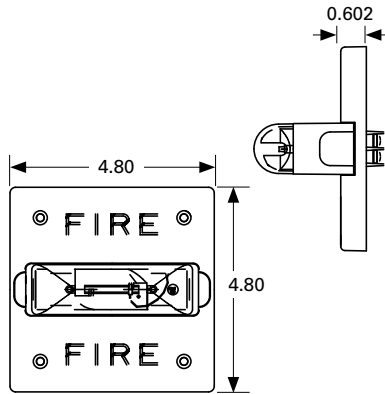
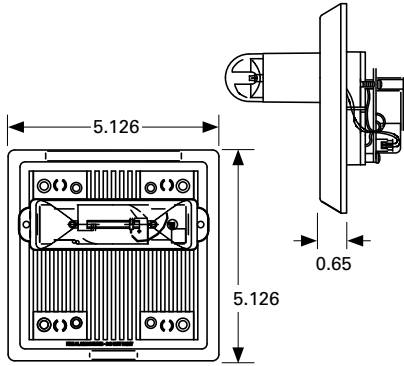
16-33 VDC	115 VAC	dBA @ 10 ft.
0.500	0.125	87

Class	Group	Contents of Hazardous Atmosphere
I	B	Hydrogen, or gases and vapors of equivalent hazard such as manufactured gas
I	C	Ethyl and ether vapors
II	D	Gasoline, petroleum, naphtha, alcohol, acetone, benzene, lacquer solvent, vapors, natural gas
II	F	Carbon black, coal, coke dust
II	G	Flour, starch, grain dusts

Mounting Options: All models include integral cast backbox for surface mounting with 1/2" threaded conduit entrances on top and bottom of housing.

**Note:** Reference pages 58-65 for additional mounting information.

Weatherproof Appliances



**Series MTWP, RSSWP, ET70WP, ASWP, AHWP**  
Weatherproof Appliances

**Available features and options:**

- Weatherproof with extended temperature range of  $-31^{\circ}\text{F}$  to  $150^{\circ}\text{F}$
- Dual listed strobe models (UL 1638 and UL 1971)
- Industry's highest strobe candela options
- Synchronize using the Wheelock Sync Modules or panels with built-in Wheelock Patented Sync Protocol
- Models with field selectable tone, dBA and candela settings
- Surface of semi-flush mounting
- IN/OUT wiring termination accepting two #1–#18 AWG wires at each terminal

**Finish Color:** Red or White

**Mounting:** Wall or Ceiling

**Input Voltage:** Selectable 25/70 VRMS

**Voltage:** 24 VDC

**Selectable Taps:** 1/8–8 Watts

**Strobe Candela:**

- Selectable 135/185 (Wall models)
- 115/177 (Ceiling models) or 2475

**Temperature:**  $-31^{\circ}\text{F}$  to  $150^{\circ}\text{F}$

**Approvals:** UL, CSFM, FM, MEA, ULC (model dependent)

**Note:** Reference pages 58-65 for additional mounting information.

Model Number	Finish	Order Code
<b>Multitone Strobe Wall</b>		
MTWP-2474W-FR	Red	8420
MTWP-2475W-FW	White	3112
MTWP-24MCWH-FR	Red	5132
MTWP-24MCWH-FW	White	5134
<b>Multitone Strobe Ceiling</b>		
MTWP-2474C-FR	Red	4457
MTWP-2475C-FW	White	4458
MTWP-24MCCH-FR	Red	5102
MTWP-24MCCH-FW	White	5122
<b>Audible Strobe Wall</b>		
ASWP-2475W-FR	Red	9012
ASWP-24MCWH-FR	Red	5137
ASWP-24MCWH-FW	White	5140
<b>Audible Strobe Ceiling</b>		
ASWP-2475C-FR	Red	4251
ASWP-2475C-FW	White	4502
ASWP-24MCCH-FR	Red	5149
ASWP-24MCCH-FW	White	5157
<b>Multitone Horn</b>		
MT-12/24-R	Red	5023
<b>Audible Wall or Ceiling</b>		
AH-24WP-R	Red	7416
AH-12WP-R	Red	7415
<b>Speaker Strobe Wall</b>		
ET70WP-2475W-FR	Red	9077
ET70WP-2475W-FW	White	3179
ET70WP-24185W-FR	Red	4885
ET70WP-24185W-FW	White	4891
<b>Speaker Strobe Ceiling</b>		
ET70WP-2475C-FR	Red	4452
ET70WP-2475C-FW	White	4454
ET70WP-24177C-FR	Red	4845
ET70WP-24177C-FW	White	4859
<b>Speaker Wall or Ceiling</b>		
ET-1010-R	Red	3135
ET-1010-W	White	3137
<b>Wall Strobe</b>		
RSSWP-2475W-FR	Red	9013
RSSWP-2475W-FW	White	3034
RSSWP-24MCWH-FR	Red	5161
RSSWP-24MCWH-FW	White	5165
<b>Ceiling Strobe</b>		
RSSWP-2475C-FR	Red	4338
RSSWP-2575C-FW	White	4446
RSSWP-24MCCH-FR	Red	5167
RSSWP-24MCCH-FW	White	5187

### Candela Ratings

Series	UL 1971	UL 1638 @ 77°F	UL 1638 @ -40°F	RSS, ET70WP and MTWP UL Max Current
2475W	30**	180	115	0.138
2475C	15	180	115	0.138
MCWH	135	135	56	0.300
	185	185	77	0.420
MCCH	115	115	47	0.300
	177	177	73	0.420
24185	185	185	77	0.420
24177	177	177	73	0.420

### Backboxes, Plates, Gasket Kits

Mounting Options	Surface Mount		Flush Mount
	Exposed Conduit	Concealed Conduit	
RSSWP Strobes	WPSBB	WPSBB + WP-KIT	WFP
ET70WP Speaker Strobes	IOB	IOB + WP-KIT	WFP
ASWP Horn Strobes	WPBB	WPBB + WP-KIT	WFPA
AHWP Horns	WBB	---	WFP
ET-1010 Speakers	WBB	---	WFP
MTWP Multitone Strobes	IOB	IOB + WP-KIT	WFP
Multitone	IOB	IOB + WP-KIT	WFP

### Mounting Options

Model Number	Finish	Order Code
<b>Flush Plates</b>		
WFPA-R	Red	5698
WFPA-W	White	4701
WFP-R	Red	4696
WFP-W	White	4697

Model Number	Order Code
<b>Gasket Kit</b>	
WP-KIT <sup>1</sup>	4486

Model Number	Finish	Order Code
<b>Backboxes</b>		
IOB-R	Red	5046
IOB-W	White	5047
WPSBB-R	Red	9751
WPSBB-W	White	3033
WPBB-R	Red	9014
WPBB-W	White	4692
WBB-R	Red	2959
WBB-W	White	2960

<sup>1</sup>WP-KIT: Allows for surface mounting of a weatherproof backbox to a recessed electrical box.

### UL Max. Current (Audible)

dBA	MTWP/MT 16-33 VDC		MT 8-17.5 VDC	
	HI	STD	HI	STD
Horn	0.108	0.044	0.177	0.034
Bell	0.053	0.024	0.095	0.020
March Time Horn	0.104	0.038	0.142	0.034
Code-3 Horn	0.091	0.035	0.142	0.034
Code-3 Tone	0.075	0.035	0.105	0.021
Slow Whoop	0.098	0.037	0.142	0.035
Siren	0.104	0.036	0.152	0.030
Hi/Lo	0.057	0.025	0.114	0.026

### UL Max. Current

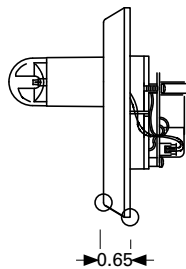
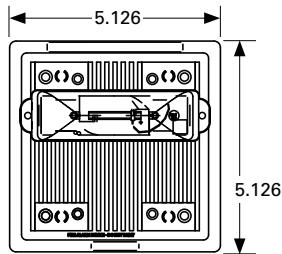
	AH 16-33 VDC		8-17.5 VDC	
	High	Med	High	Med
High (99) dBA	0.080		0.192	
Med (95) dBA	0.043		0.108	
Low (90) dBA	0.021		0.058	

### ASWP

High	Med	Low
0.168	0.155	0.150
0.168	0.155	0.150
0.355	0.340	0.335
0.480	0.465	0.460
0.355	0.340	0.335
0.480	0.465	0.460

\*\*Wall mount rating only

## Colored Lens Appliances



## Series ET, MT, MTWP, RSSWP Colored Lens Appliances

### Available features and options:

- Designed for effective alerting of employees and personnel in industrial, military or government applications
- Wide operating voltage range

**Lens Colors:** Amber, Blue, Green, Red

**Mounting:** Wall or Ceiling

**Voltage:** 24 VDC

**Approvals:** UL

Product Type	Model Number	Color	Order Code
<b>Weatherproof Strobes</b>	<b>75cd</b>		
	RSSWPA-2475W-NW	Amber	0240
	<b>115/177cd</b>		
	RSSWPA-24MCCH-NW	Amber	6158
	RSSWPB-24MCCH-NW	Blue	6159
	RSSWPG-24MCCH-NW	Green	6160
	RSSWPR-24MCCH-NW	Red	6161
<b>Weatherproof Speaker Strobes</b>	ET70WPA-2475W-NW	Amber	0220
<b>Multitones</b>	<b>115/177cd</b>		
	MTA-24MCCH-NW	Amber	6167
	MTB-24MCCH-NW	Blue	6168
	MTG-24MCCH-NW	Green	6169
	MTR-24MCCH-NW	Red	6170
<b>Weatherproof Multitones</b>	MTA-121575W-NW	Amber	0048
<b>Weatherproof Multitones</b>	MTWPA-2475W-NW	Amber	1649
	<b>115/177cd</b>		
	MTWPA-24MCCH-NW	Amber	6171
	MTWPB-24MCCH-NW	Blue	6172
	MTWPG-24MCCH-NW	Green	6173
	MTWPR-24MCCH-NW	Red	6174

Candela is measured on axis per UL 1638. Models with MCC strobes have 4 field selectable candela settings. MCC settings are rated for clear lens—derate approximately 25% for amber, 55% for green and 70% for blue lenses.

### UL Max. Current

Series	16–33 VDC		
	15/75cd	115cd	177cd
RSSWP/MTWP	0.138	0.300	0.420

Series	8–17.5 VDC
	15/75cd
MT	0.255

**Note:** Reference pages 58-65 for additional mounting information.



# Exceder LED3 High Fidelity Speakers and Speaker Strobes



With the widest frequency response range available, our speakers provide crisp, clear voice messages

Clear, concise and intelligible voice messages that communicate how people should respond in an emergency are critical for life safety. At Eaton, we understand that you need a solution that not only meets your customer's intelligibility and reliability requirements but also provides overall system cost savings.

Designed for high fidelity sound output, Wheelock's Exceder LED3 Speaker Strobes not only feature the widest frequency response range in the industry, but are the first to utilize LED as the light source. With a response range of 300 to 8000 Hz, the LSPK and LSPST3 models provide leading intelligibility with crisp, clear voice messages, ideal for emergency communications, mass notification, and voice evacuation.

The patented LED technology delivers the industry's lowest current draw. This breakthrough optical design results in best-in-class efficiency that enables material and system cost savings.

The Exceder LED3 Speaker Strobes and Speakers feature one of the industry's smallest footprints and a sleek, modern, low-profile design that will please building owners. It includes five field-selectable tap settings (1/8 to 2 watts), four field selectable candela settings (LSPST3 models) and convenient wall- and ceiling-mounting options for both new and retrofit construction. Amber lens speaker strobes (wall models) and special lettering are available.

## High-fidelity sound output

- Efficient design for high intelligibility at minimum wattage
- Frequency range: 300 to 8000 HZ—widest range in the industry

## Energy efficient

- LED technology provides industry's lowest current draw
- Fewer power supplies required, smaller wire gauge, reduced wire runs

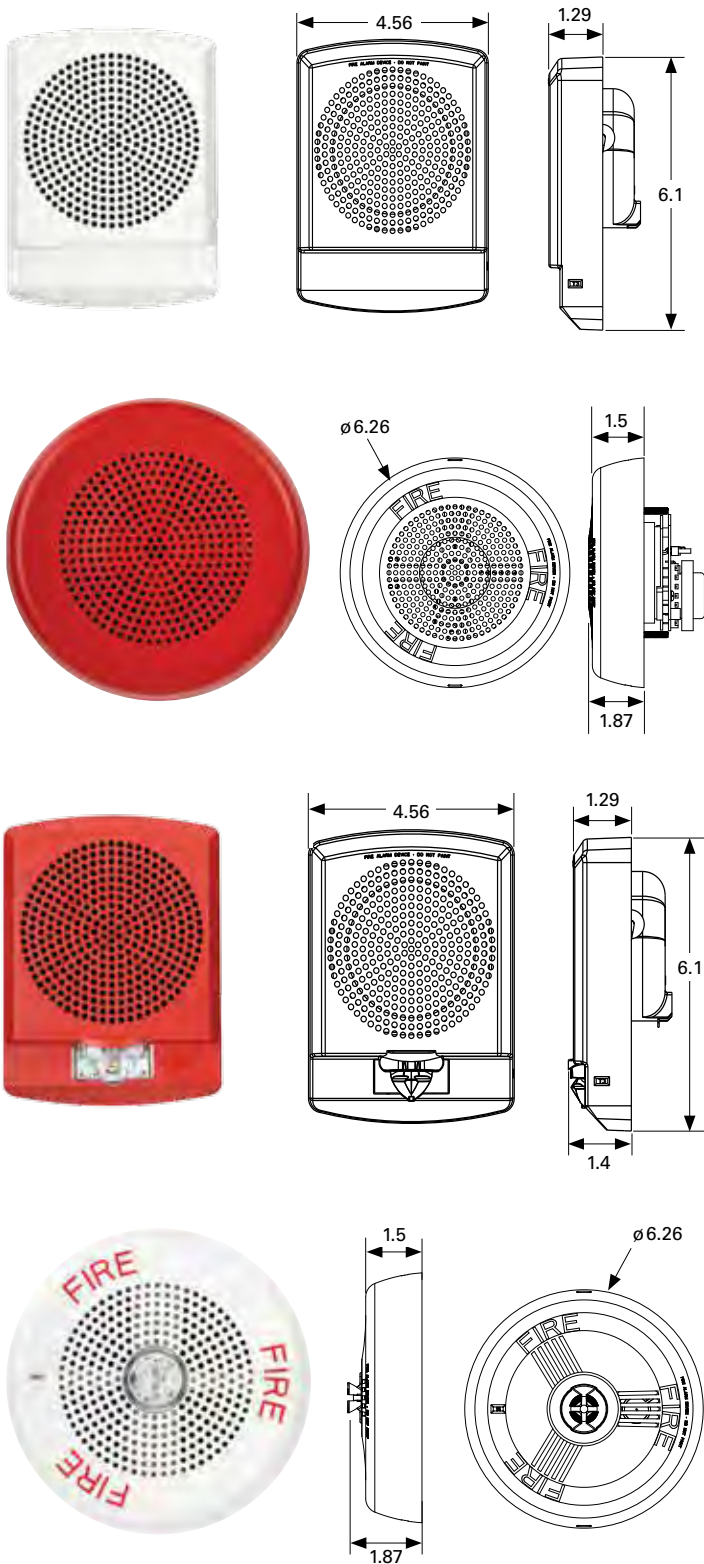
## Low-profile design

- One of the smallest footprints with sleek, modern aesthetics

## Easy to install

- Finger slide switches—no tools needed for setting changes
- Built-in adjustment feature and snap-on grille
- IN/OUT screw terminals using #12 to #18 AWG wires

Speaker and Speaker Strobes



Series **Exceder LED3** High-Fidelity Speakers and Speaker Strobes

Available features and options:

- High-fidelity sound output
- High intelligibility with a frequency range—300 to 8000 HZ—widest range in the industry

**Finish Color:** Red or White

**Mounting:** Wall or Ceiling

**Special Lettering**

**Input Voltage:** Selectable 25/70 VRMS

**Selectable Taps:** 1/8–2 Watts

**Strobe Candela:**

- Wall: Selectable 15/30/75/110
- Ceiling: Selectable 15/30/75/95

**Backbox Mounting Options:**

- Wall: Exceder LSPKBB backboxes and 4" square backboxes
- Ceiling: Exceder LSPKBB-C backboxes, 4" square (1-1/2" or 2-1/8" deep) and 4" octagonal (1-1/2" or 2-1/8" deep)

**Approvals:** UL, ULC, CSFM

**Wall Mount Speakers**

Model Number	Finish
LSPKR	Red
LSPKW	White

Mounting Options: NN

**Wall Mount Speaker Strobes**

Model Number	Finish
LSPSTR3	Red
LSPSTW3	White

Mounting Options: NN

**Ceiling Mount Speakers**

Model Number	Finish
LSPKRC	Red
LSPKWC	White

Mounting Options: 00

**Ceiling Mount Speaker Strobes**

Model Number	Finish
LSPSTRC3	Red
LSPSTWC3	White

Mounting Options: 00

**UL Max. Current**

Model	16–33 VDC			
	15cd	30cd	75cd	110cd
LSPST3	0.030	0.040	0.100	0.195

**UL Max. Current**

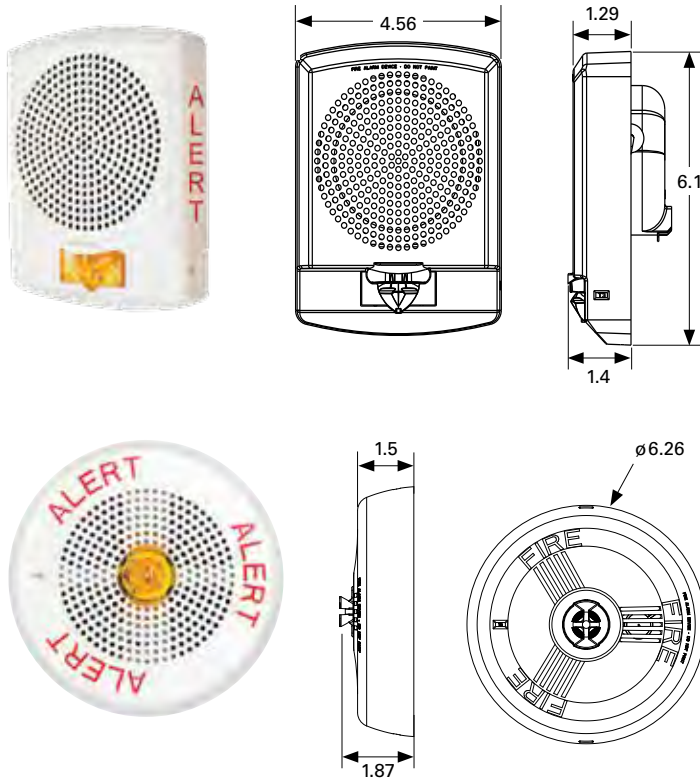
Model	16–33 VDC			
	15cd	30cd	75cd	95cd
LSPSTC3	0.040	0.53	0.155	0.248

**UL Reverberant dBA @ 10 Feet**

Model	Watts				
	1/8	1/4	1/2	1	2
LSPK	75	79	82	85	87
LSPST3	75	79	82	85	87
LSPKC	75	79	82	85	87
LSPSTC3	75	79	82	85	87

**Note:** Reference pages 58-65 for additional mounting information.

Speaker Strobes



Series **Exceder LED3** High-Fidelity Amber Lens Speaker Strobes

Available features and options:

- High-fidelity sound output
- High intelligibility with a frequency range—300 to 8000 HZ—widest range in the industry
- Ideal for mass notification applications

**Finish Color:** Red or White

**Mounting:** Wall or Ceiling

**Amber Lens and Special Lettering**

**Input Voltage:** Selectable 25/70 VRMS

**Selectable Taps:** 1/8–2 Watts

**Strobe Candela:**

- Wall: Selectable 15/30/75/110
- Ceiling: Selectable 15/30/75/95

**Backbox Mounting Options:**

- Wall: Exceder LSPKBB backboxes and 4" square backboxes
- Ceiling: Exceder LSPKBB-C backboxes, 4" square (1-1/2" or 2-1/8" deep) and 4" octagonal (1-1/2" or 2-1/8" deep)

**Approvals:** UL, ULC, CSFM

Wall Mount Speaker Strobes

Model Number	Finish	Lettering
LSPSTR3-ALA	Red	ALERT
LSPSTW3-ALA	White	ALERT
LSPSTR3-NA	Red	No Lettering
LSPSTW3-NA	White	No Lettering

Mounting Options: NN

Ceiling Mount Speaker Strobes

Model Number	Finish	Lettering
LSPSTRC3-ALA	Red	ALERT
LSPSTWC3-ALA	White	ALERT
LSPSTRC3-NA	Red	No Lettering
LSPSTWC3-NA	White	No Lettering

Mounting Options: OO

UL Max. Current

Model	16–33 VDC			
	15cd	30cd	75cd	110cd
LSPST3	0.030	0.040	0.100	0.195
LSPSTC3	0.040	0.53	0.155	0.248

UL Reverberant dBA @ 10 Feet

Model	Watts				
	1/8	1/4	1/2	1	2
LSPST3	75	79	82	85	87
LSPSTC3	75	79	82	85	87

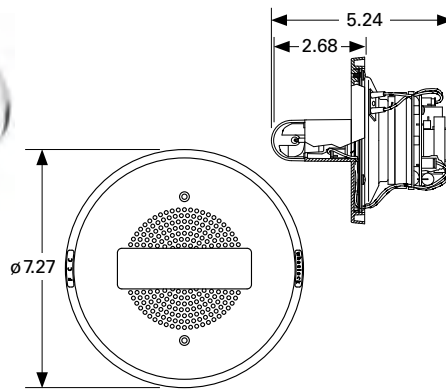
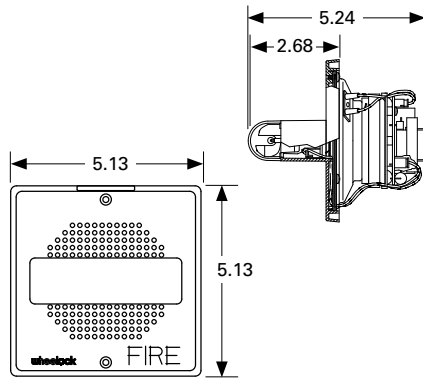
**Note:** Reference pages 58-65 for additional mounting information.







Speakers & Speaker Strobes



**Model Number** **Order Code**

**Wall Mount Speaker Strobe**

E70H-24MCW-FR	0183
E70H-24MCW-FW	0184
E70H-24MCWH-FR	0185
E70H-24MCWH-FW	0186

Mounting Options: P, Q

**Ceiling Mount Speaker Strobe**

E90H-24MCC-FR	0191
E90H-24MCC-FW	0192
E90H-24MCCH-FR	0193
E90H-24MCCH-FW	0194

Mounting Options: P, Q

**Wall or Ceiling Mount Speaker**

E70H-R	9865
E70H-W	9866
E90H-R	9875
E90H-W	9876

Mounting Options: P, Q

**Series E70H/E90H High-Fidelity, Low-Profile Speakers and Speaker Strobes**

**Available features and options:**

- Replaceable grills
- High intelligibility at minimum wattage across a frequency range of 300 to 8000 HZ
- Designed for high efficiency output
- Standard backboxes
- Strobe synchronization

**Finish Color:** Red or White

**Mounting:** Wall or Ceiling

**Input Voltage:** Selectable 25/70 VRMS

**Selectable Taps:** 1/8–2 Watts

**Strobe Candela:**

- Wall: Selectable 15/30/75/110 or 135/185
- Ceiling: Selectable 15/30/75/95 or 115/177

**Grills:** Square or Round, Metal

**Approvals:** UL, ULC, MEA, CSFM, FM, BFP

**UL Max. Current**

Model	16–33 VDC					
	15cd	30cd	75cd	110cd	135cd	185cd
E70H	0.060	0.092	0.165	0.220	0.300	0.420

**UL Max. Current**

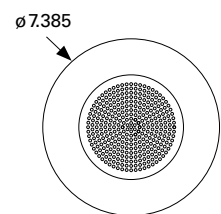
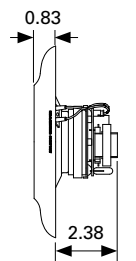
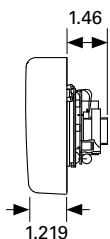
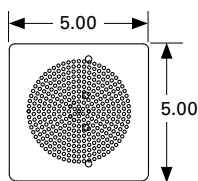
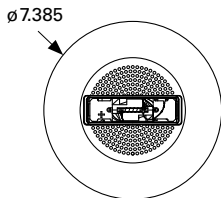
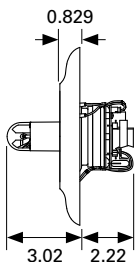
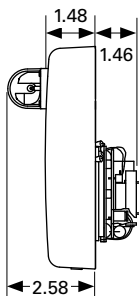
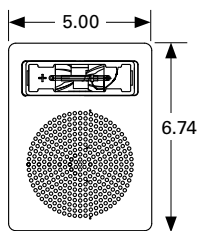
Model	16–33 VDC					
	15cd	30cd	75cd	95cd	115cd	177cd
E90H	0.065	0.105	0.189	0.249	0.300	0.420

**UL Reverberant dBA @ 10 Feet**

Model	Watts				
	1/8	1/4	1/2	1	2
E70H/E90H Speaker	72	75	78	81	82
E70H Speaker Strobe	71	75	78	81	83
E90H Speaker Strobe	74	77	80	82	85

**Note:** Reference pages 58-65 for additional mounting information.

Speaker and Speaker Strobes



Wall Mount Speakers

Model Number	Finish	Order Code
E50-R	Red	0222
E50-W	White	0223

Mounting Options: E, AA

Wall Mount Speaker Strobes

Model Number	Finish	Order Code
<b>15/30/75/110cd</b>		
E50-24MCW-FR	Red	0226
E50-24MCW-FW	White	0227
<b>135/185cd</b>		
E50-24MCWH-FR	Red	0228
E50-24MCWH-FW	White	0229

UL Max. Current

Model	16-33 VDC					
	15cd	30cd	75cd	110cd	135cd	185cd
E50	0.060	0.092	0.165	0.220	0.300	0.420

Series E50/E60 Wall and Ceiling Speakers and Speaker Strobes

Available features and options:

- High efficiency design for maximum output at minimum wattage across a frequency range of 400 to 4000Hz
- Snap-on grill cover with no visible mounting screws
- Synchronize with Wheelock DSM or Wheelock Power Supplies with built-in sync protocol

Finish Color: Red or White

Mounting: Wall or Ceiling

Input Voltage: Selectable 25/70 VRMS

Selectable Taps: 1/8-2 Watts

Strobe Candela:

- Wall: Selectable 15/30/75/110 or 135/185
- Ceiling: Selectable 15/30/75/95 or 115/177

Approvals: UL, MEA, CSFM, FM, BFP

Ceiling Mount Speakers

Model Number	Finish	Order Code
E60-R	Red	3746
E60-W	Red	3745

Mounting Options: Q, U, V, EE

Ceiling Mount Speaker Strobes

Model Number	Finish	Order Code
<b>15/30/75/95cd</b>		
E60-24MCC-FR	Red	3748
E60-24MCC-FW	White	3747
<b>115/117cd</b>		
E60-24MCCH-FR	Red	3750
E60-24MCCH-FW	White	3749

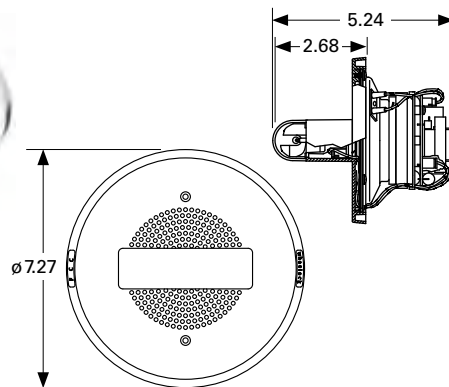
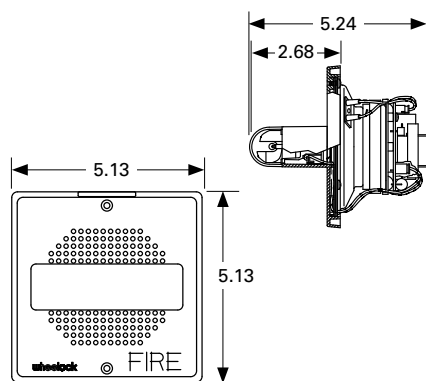
Mounting Options: Q, U, V, EE

UL Max. Current

Model	16-33 VDC					
	15cd	30cd	75cd	95cd	115cd	177cd
E60	0.065	0.105	0.189	0.249	0.300	0.420

Note: Reference pages 58-65 for additional mounting information.

**Speakers & Speaker Strobes**



**Wall Mount Speaker Strobes**

Model Number	Finish	Order Code
<b>15/30/75/110cd</b>		
E70-24MCW-FR	Red	9022
E70-24MCW-FW	White	9023
<b>135/185cd</b>		
E70-24MCWH-FR	Red	3470
E70-24MCWH-FW	White	3474

**Ceiling Mount Speaker Strobes**

Model Number	Finish	Order Code
<b>15/30/75/95cd</b>		
E90-24MCC-FR	Red	3165
E90-24MCC-FW	White	3166
<b>115/117cd</b>		
E90-24MCCH-FR	Red	3481
E90-24MCCH-FW	White	3471

Mounting Options: Q, U, V

**Series E70/E90 Low Profile Speakers and Speaker Strobes**

**Available features and options:**

- Replaceable grills
- Designed for high efficiency output
- Standard backboxes
- Strobe synchronization

**Finish Color:** Red or White

**Mounting:** Wall or Ceiling

**Input Voltage:** Selectable 25/70 VRMS

**Selectable Taps:** 1/8–2 Watts

**Grills:** Square or Round, Metal

**Approvals:** UL, MEA, CSFM, FM, BFP

**Wall or Ceiling Mount Speakers**

Model Number	Finish	Order Code
<b>Square</b>		
E70-R	Red	7866
E70-W	White	7868
<b>Round</b>		
E90-R	Red	7867
E90-W	White	7869

Mounting Options: L, O, P, Q, R, U, Y (E70), V (E90)

**UL Max. Current: E70 Wall Mount Speaker Strobes**

16–33 VDC						
15cd	30cd	75cd	110cd	135cd	185cd	
0.060	0.092	0.165	0.220	0.300	0.420	

**UL Max. Current: E90 Ceiling Mount Speaker Strobes**

16–33 VDC						
15cd	30cd	75cd	95cd	115cd	177cd	
0.065	0.105	0.189	0.249	0.300	0.420	

**E70/E90 UL Reverberant dBA @ 10 ft.**

Model	Watts				
	1/8	1/4	1/2	1	2
E Speaker	77	81	83	86	89
E Speaker Strobe	76	80	82	85	88

**Note:** Reference pages 58-65 for additional mounting information.

## Colored Lens Speaker Strobes

### Colored Lens Speaker Strobes



See Pages 40-41 for E50, E70 and E90 product dimensions.



### Series E Colored Lens Speaker Strobes

#### Available features and options:

- Designed for effective alerting of employees and personnel in industrial, military or government applications
- Wide operating voltage range

**Lens Colors:** Amber, Blue

**Mounting:** Wall or Ceiling

**Voltage:** 24 VDC

**Strobe Candela:** 15/30/75/95 or 115/177

**Approvals:** UL

Product Type	Model Number	Color	Order Code
Speaker Strobes	<b>15/30/75/95cd</b>		
	E70A-24MCC-NW	Amber	0209
	E70B-24MCC-NW	Blue	0210
	E90A-24MCC-NW	Amber	0213
	E90B-24MCC-NW	Blue	0214
	<b>15/30/75/110cd</b>		
	E50A-24MCC-NW	Amber	6165
	E50B-24MCC-NW	Blue	6166

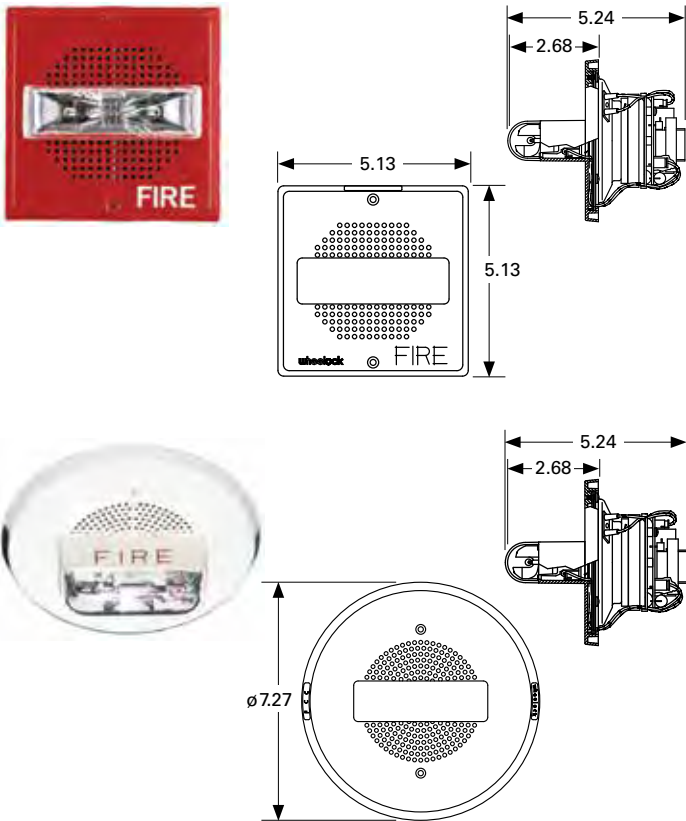
Candela is measured on axis per UL 1638. Models with MCC strobes have 4 field selectable candela settings. MCC settings are rated for clear lens—derate approximately 25% for amber and 70% for blue lenses.

#### UL Max. Current

Series	16–33 VDC			
	15cd	30cd	75cd	95cd
E70, E90	0.065	0.105	0.189	0.249

**Note:** Reference pages 58-65 for additional mounting information.

Speakers & Speaker Strobes



Series **ET70/ET90** Low-Profile Speakers and Speaker Strobes

Available features and options:

- Replaceable grills
- High audio output with clear audibility
- Standard backboxes
- Strobe synchronization

**Finish Color:** Red or White

**Mounting:** Wall or Ceiling

**Input Voltage:** Selectable 25/70 VRMS

**Selectable Taps:** 1/8–8 Watts

**Strobe Candela:** Selectable 15/30/75/110 or 135/185, 15/30/75/95 or 115/177, depending on model

**Grills:** Square or Round, Metal

**Approvals:** UL, MEA, CSFM, FM, BFP

Wall Mount Speaker Strobes

Model Number	Finish	Order Code
<b>15/30/75/110cd</b>		
ET70-24MCW-FR	Red	9020
ET70-24MCW-FW	White	9021
<b>135/185cd</b>		
ET70-24MCWH-FR	Red	3472
ET70-24MCWH-FW	White	3475

Ceiling Mount Speaker Strobes

Model Number	Finish	Order Code
<b>15/30/75/95cd</b>		
ET90-24MCC-FR	Red	3165
ET90-24MCC-FW	White	3166
<b>115/117cd</b>		
ET90-24MCCH-FR	Red	3481
ET90-24MCCH-FW	White	3471

Mounting Options: Q, U, V

Wall or Ceiling Speakers

Model Number	Finish	Order Code
<b>Square</b>		
ET70-R	Red	7840
ET70-W	White	7844
<b>Round</b>		
ET90-R	Red	7842
ET90-W	White	7846

Mounting Options: L, O, P, Q, U, Y (ET70), V (ET90)

UL Max. Current: ET70 Wall Mount Speaker Strobes

16–33 VDC						
15cd	30cd	75cd	110cd	135cd	185cd	
0.060	0.092	0.165	0.220	0.300	0.420	

UL Max. Current: ET90 Ceiling Mount Speaker Strobes

16–33 VDC						
15cd	30cd	75cd	95cd	115cd	177cd	
0.065	0.105	0.189	0.249	0.300	0.420	

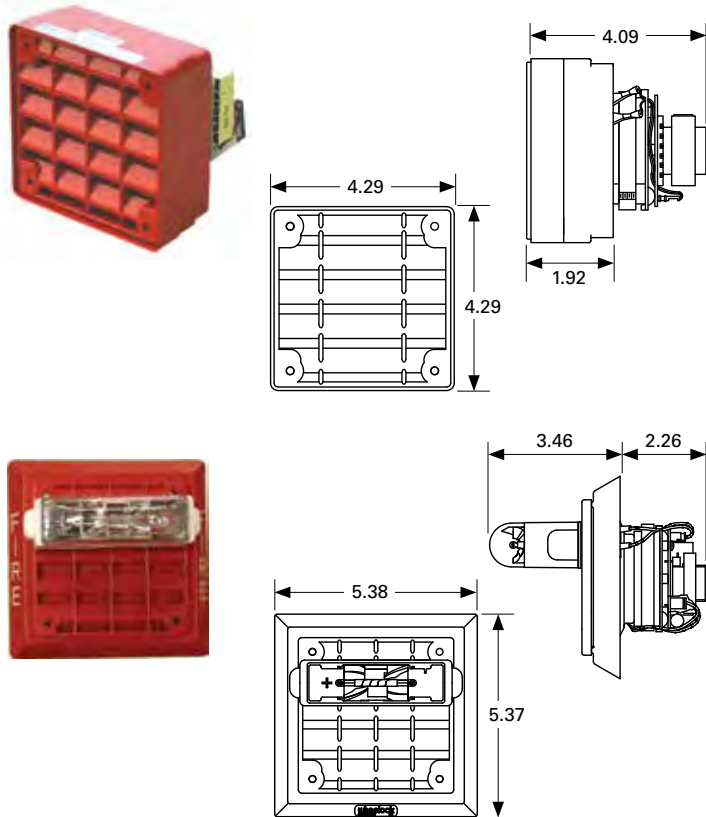
ET70/ET90 UL Reverberant dBA @ 10 ft.

Model	Watts						
	1/8	1/4	1/2	1	2	4	8
ET Speaker	75	78	81	84	87	90	93

**Note:** Reference pages 58-65 for additional mounting information.



Speakers & Speaker Strobes



**Series ET1010/ET80 Vandal Resistant Speakers and Speaker Strobes**

**Available features and options:**

- Sealed back speaker
- Fast installation with IN/OUT screw terminals using #12 to #18 AWG wiring
- Audio inputs include a 10 uF blocking capacitor for compatibility
- Replaceable grills
- Standard backboxes
- Strobe synchronization

**Finish Color:** Red or White

**Mounting:** Wall or Ceiling

**Input Voltage:** Selectable 25/70 VRMS

**Selectable Taps:** 1/8–8 Watts

**Strobe Candela:** Selectable 15/30/75/110 or 135/185, depending on model

**Applications:** Indoor or Outdoor (vandal resistant)

**Approvals:** UL, MEA, CSFM, FM, BFP, ULC

**Wall Mount Speaker Strobes**

Model Number	Finish	Order Code
<b>15/30/75/110cd</b>		
ET80-24MCW-FR	Red	3476
ET80-24MCW-FW	White	3477
<b>135/185cd</b>		
ET80-24MCWH-FR	Red	3478
ET80-24MCWH-FW	White	3479

**Wall or Ceiling Mount Speakers**

Model Number	Finish	Order Code
ET-1010-R	Red	3135
ET-1010-W	White	3137
ET-1080-R	Red	3141
ET-1080-W	White	3142

Mounting Options: K, N, O (ET-1010) O, P, Q, Y (ET-1080)

**UL Max. Current: ET80 Wall Mount Speaker Strobes**

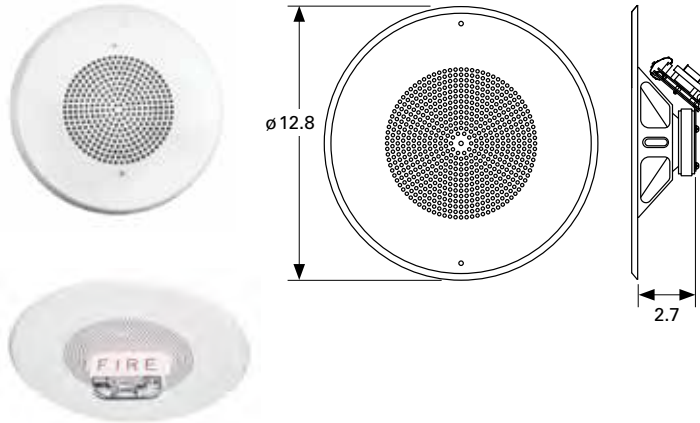
16–33 VDC					
15cd	30cd	75cd	110cd	135cd	185cd
0.060	0.092	0.165	0.220	0.300	0.420

**UL Reverberant dBA @ 10 ft.**

Model	Watts						
	1/8	1/4	1/2	1	2	4	8
ET-1010	77	80	83	86	87	92	94
ET-1080 & ET80	78	81	84	87	90	92	94

**Note:** Reference pages 58-65 for additional mounting information.

Speakers & Speaker Strobes



**Series S 8" Speaker and Speaker Strobes**

**Available features and options:**

- Multicandela or high intensity
- High efficiency sound output
- Strobe synchronization

**Finish Color:** White

**Mounting:** Ceiling

**Input Voltage:** Selectable 25/70 VRMS

**Selectable Taps:** 1/8–8 Watts

**Grills:** Round, Metal

**Approvals:** UL, MEA, CSFM, FM, BFP, ULC

**Ceiling Mount Speaker Strobes**

Model Number	Finish	Order Code
<b>15/30/75/95cd</b> S8-24MCC-FW	White	0054
<b>115/177cd</b> S8-24MCCH-FW	White	0056

**Ceiling Mount Speaker**

Model Number	Finish	Order Code
S8-70/25	White	0052

Mounting Options: CBB-8 Speaker Back Box (3314)  
SSB-8 Speaker Support Bridge (3573)

**UL Max. Current**

**16–33 VDC**

15cd	30cd	75cd	95cd	115cd	177cd
0.065	0.105	0.189	0.249	0.300	0.420

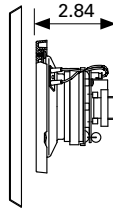
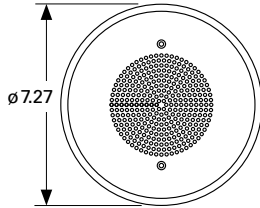
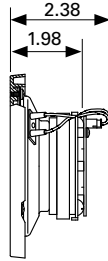
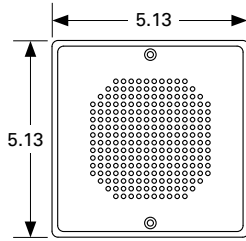
**UL Reverberant dBA @ 10 ft.**

**Watts**

1/8	1/4	1/2	1	2	4	8
75	78	81	84	87	90	93

**Note:** Reference pages 58-65 for additional mounting information.

## Speakers & Speaker Strobes



## Series SA-S Self Amplified Speakers and Speaker Strobes

### Available features and options:

- Mounts onto a 4" square deep backbox with an extension ring
- 1 Watt high efficiency speaker

**Finish Color:** Red or White

**Mounting:** Wall or Ceiling

**Power Input Voltage:** 16.0–33.0 VDC, regulated

**Appliance Input Level:** 0.5 VRM or 25 VRMS

### Appliance Input Impedance:

- 0.5 Setting: greater than 400 Ohms or equivalent to less than 1/1000 W (0.001 W or 1 mW) load
- 25V Setting: greater than 20 kOhms or equivalent to less than 1/32 W (0.03125 W or 31.25 mW) load

**Strobe Candela:** Selectable 15/30/75/110 (wall models); 15/30/75/95 (ceiling models)

**Approvals:** UL Standard 1480 and UL Standard 1971

### Wall Mount Speaker Strobes

Model Number	Finish	Order Code
<b>15/30/75/110cd</b>		
SA-S70-24MCW-FR	Red	1006
SA-S70-24MCW-FW	White	1007

Mounting Options: L, O, P, Q, R, U, Y

### Ceiling Mount Speaker Strobes

Model Number	Finish	Order Code
<b>15/30/75/95cd</b>		
SA-S90-24MCC-FR	Red	1004
SA-S90-24MCC-FW	White	1005

Mounting Options: Q, U, V

### Wall or Ceiling Speakers

Model Number	Finish	Order Code
<b>Square</b>		
SA-S70-R	Red	1002
SA-S70-W	White	1003
<b>Round</b>		
SA-S90-R	Red	1000
SA-S90-W	White	1001

Mounting Options: L, O, P, Q, R, U, Y (SA-S70) V (SA-S90)

### UL Max. Current: SA-S70 Wall Mount Speaker Strobes

#### 16–33 VDC

15cd	30cd	75cd	110cd
0.060	0.092	0.165	0.220

### UL Max. Current: SA-S90 Ceiling Mount Speaker Strobes

#### 16–33 VDC

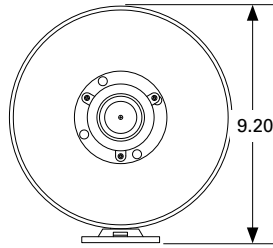
15cd	30cd	75cd	95cd
0.065	0.105	0.189	0.249

### SA-S UL Reverberant dBA @ 10 ft.

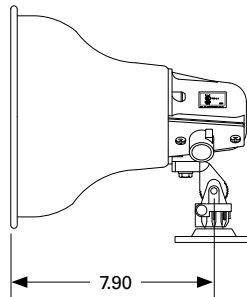
Sound Level	SA-S90 SA-S70	SA-S90-24MCC	SA-S90-24MCCH
6	84	84	82
5	82	81	81
4	77	77	76
3	75	74	74
2	71	71	70
1	69	68	68

**Note:** Reference pages 58-65 for additional mounting information.

**Horn Loudspeaker**



**Note:** The SHMP plate is sold separately.



**Series STH-15S Supervised Horn Loudspeaker**

**Available features and options:**

- Equipped with compression driver providing up to 15 watts of power
- Superior intelligibility and dispersion

**Finish Color:** Red or Gray

**Mounting:** Wall or Ceiling

**Power Rating:** 15 Watt Continuous

**Frequency Response:** 400–4,000 Hz

**Sensitivity:** 102 dB @ 15 Watts @ 10ft

**Dispersion:** 70° (–6 dB @ 2,000 Hz Octave Band)

**Transformer:** 25/70/100V

**Approvals:** UL Standard 1480, CSFM

**Horns**

Model Number	Finish	Order Code
STH-15S	Gray	7937
STH-15SR	Red	7938

Mounting Options: L, O, P, Q, R, U, Y

**Anechoic Measurement**

Code 3 Tone	107.2 dBA
Slow Whoop	108.5 dBA
Siren	107.8 dBA

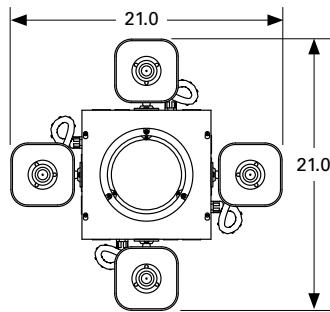
**Adapter Plate**

Model Number	Finish	Order Code
SHMP-R	Red	8154

Setting	Impedance (Ohms)	70.7 Volts		25 Volts		100 Volts	
		Watts	dB @ 10 ft.	Watts	dB @ 10 ft.	Watts	dB @ 10 ft.
1	5,000	0.9W	93	Not used	Not used	2.0W	93
2	2,500	1.8W	96	Not used	Not used	4.0W	96
3	1,300	3.8W	96	0.48W	90	7.5W	99
4	666	7.5W	99	0.94W	90	15.0W	102
5	333	15.0W	102	1.8W	93	Not used	Not used
6	89	Not used	Not used	7.5W	99	Not used	Not used
7	45	Not used	Not used	15.0W	102	Not used	Not used

**Note:** Reference pages 58-65 for additional mounting information.

## Cluster



## Series **STH** Cluster with Max Strobe

### Available features and options:

Designed for ceiling or wall mounting for high ambient noise environments. Available in multiple configurations. A speaker/visual (STH-MSR) and speaker only (STH-R or STH-G) alerting system.

All alerting systems are equipped with UL listed STH-15SR or STH-15S supervised horn loudspeakers and the speaker/visual system has a UL listed DC-MAX-C strobe, mounted to a steel enclosure.

- Cluster Speaker systems come fully assembled.
- High efficiency unit for life safety and/or general communication announcing/notification
- Provides high-intelligibility voice reproduction and available high intensity visual alerting for emergency alarm and protective signaling
- Omni-directional sound

**Finish Color:** Red or Gray

**Mounting:** Wall or Ceiling

**Size:** Prefabricated 10" x 10" x 6" fiberglass enclosure

**Sensitivity:** 102 dB @ 15 watts @ 10 ft. per horn

**Strobe Output:** 100cd at 60 double flashes per minute

**Approvals:** UL Standard 1480 and 1638

### STH Cluster with MAX Strobe

Model Number	Finish	Order Code
STH-4MS-R	Red	8157
STH-3MS-R	Red	8156
STH-2MS-R	Red	8155
STH-4R	Red	8186
STH-3R	Red	9753
STH-2R	Red	9752
STH-2G	Gray	0101

**Note:** Not intended for wash down areas or outdoor applications. (See weatherproof series).

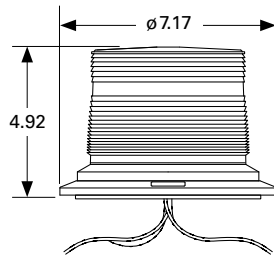
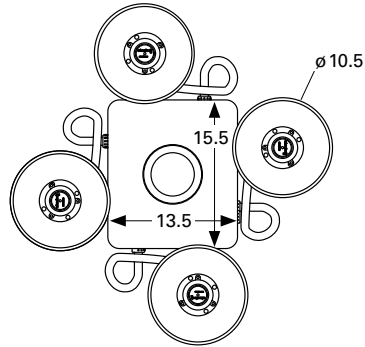
The Series Cluster Speakers with MAX strobes are not intended for UL required Fire Life Safety applications.

The Series Cluster Speakers are a special order.

**Note:** Reference pages 58-65 for additional mounting information.



**Cluster Speaker with Max Strobe**



**Series STH Weatherproof Cluster Speaker with Max Strobe**

**Available features and options:**

Speaker/Visual systems supplied with four STH-30 horns and one DC-MAX-C Strobe mounted to a fiberglass enclosure.

- Omni-directional sound
- Strobe has 100cd at 60 double flashes per minute

**Finish Color:** Gray

**Mounting:** Wall, Ceiling or Roof

**Size:** Prefabricated to a 13.5" x 15.5" x 6.25" fiberglass enclosure

**Sensitivity:** 125 dB@ 30 watts, 1 meter

**Strobe Output:** 100cd at 60 double flashes per minute

**Approvals:** UL Standard 1638

<b>Model Number</b>	<b>Finish</b>	<b>Order Code</b>
STH-4M30WC	Gray	9762

The Series Cluster Speakers are a special order.

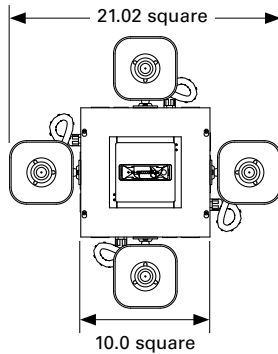
**Note:** Reference pages 58-65 for additional mounting information.

## Supervised Horns & Cluster Speakers

### Cluster with RSS Strobe



Available with 2, 3 or 4 STH-15S horns



### Series STH Cluster with RSS Strobe

#### Available features and options:

Supervised Speaker Strobe supplied with 2, 3, or 4 STH-15SR horns and one RSS-24MCCH ceiling strobe (red, white, no lettering) mounted to a NEMA 1 steel enclosure

**Finish Color:** Red

**Mounting:** Wall, Ceiling or Roof

**Size:** Prefabricated 10" x 10" x 6" fiberglass enclosure

**Sensitivity:** 102 dB @ 15 watts @ 10 ft. per horn

**Strobe Candela:** High Intensity, Selectable 115/177

**Approvals:** UL Standard 1480 (Horns), UL 1971 (RSS Strobes), UL Standard 1638 (Colored Lens Strobes)

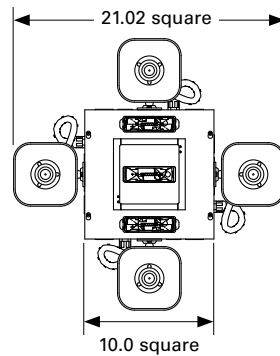
### STH Cluster with RSS Strobe

Model Number	Finish	Order Code
<b>4 Horns</b>		
STH-4R24MCCH-FR	Red	3090
STH-4R24MCCH-NR	Red (no ltr)	3089
STH-4R24MCCH-FW	White	0235
STH-4R24MCCH-NW	White (no ltr)	0239
<b>3 Horns</b>		
STH-3R24MCCH-FR	Red	3145
STH-3R24MCCH-NR	Red (no ltr)	3144
STH-3R24MCCH-FW	White	0234
STH-3R24MCCH-NW	White (no ltr)	0238
<b>2 Horn</b>		
STH-2R24MCCH-FR	Red	3143
STH-2R24MCCH-NR	Red (no ltr)	3146
<b>4 Horn</b>		
STH-90-R24MCCH-FR	Red	0522
STH-90-R24MCCH-NR	Red (no ltr)	3227

### UL Max. Current

	115cd	177cd
24 VDC	0.300	0.420

**Note:** Reference pages 58-65 for additional mounting information.

**Cluster Speaker with Max Strobe****Series STH Cluster Speaker with Three RSS Strobes****Available features and options:**

- Two RSS ceiling strobes

**Note:** RSS Strobe candela output is based on a clear lens, when a colored lens is used the candela output is de-rated to:

- Red lens strobe, 22 candela
- Blue lens strobe, 49.5 candela
- Green lens strobe, 33 candela
- Amber lens strobe, 82.5 candela

**Finish Color:** Red

**Mounting:** Wall, Ceiling or Roof

**Size:** Prefabricated 10" x 10" x 6" fiberglass enclosure

**Sensitivity:** 102 dB @ 15 watts @ 10 ft. per horn

**Strobe Candela:** High Intensity, Selectable 115/177

**Options:** Three RSS Strobes available with Red, Blue, Green or Amber Lenses

**Approvals:** UL Standard 1480 (Horns), UL 1971 (RSS Strobes), UL Standard 1638 (Colored Lens Strobes)

<b>Model Number</b>	<b>Finish</b>	<b>Order Code</b>
STH-4R24MCCH110R-NR	Red	3810
STH-4R24MCCH110B-NR	Blue	3827
STH-4R24MCCH110G-NR	Green	3826
STH-4R24MCCH110A-NR	Amber	3829

**Note:** Reference pages 58-65 for additional mounting information.



## Manual Pull Stations

Pull stations for activation of fire alarm control panels featuring high quality, die-cast metal construction and single, dual and explosion-proof models for long-lasting performance.

## Manual Pull Stations



## Series MPS Manual Pull Stations

## Available features and options:

- Single or dual action
- Key reset
- Terminal strip connections
- Corrosion-resistant, gold-plated SPST contacts
- Surface and weatherproof backboxes available
- Plastic breakrod
- High-gloss red enamel finish, raised white lettering

**Finish Color:** Red, die-cast metal

**Mounting:** Wall

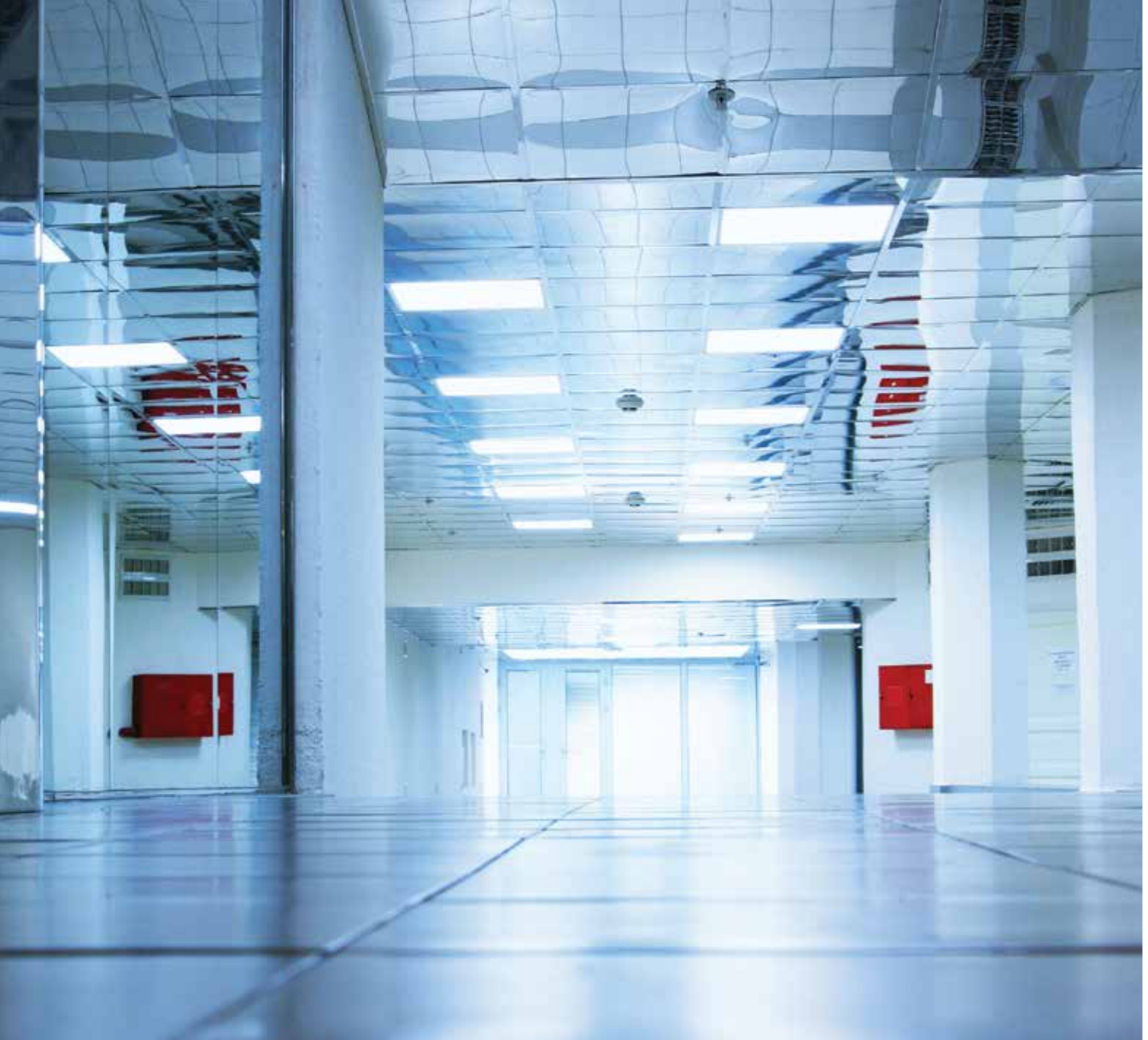
**Backbox:** Single Gang

**Ratings:** Normally open contact will close when the pull station is activated and is rated for 30 VDC @ 1 amp and/or 120 VAC @ 1 amp

**Approvals:** UL, FM, CSFM, MEA and Class I, Division I, Groups B, C and D; Class II, Groups E, F and G; and Class III hazardous environments (MPS-400X)

Model Number	Finish	Order Code	Mounting
<b>Single Pull Station</b>			
MPS-100	Red	8400	MPS-ISB, MPS-WP
MPS-200	Red	8401	MPS-ISB, MPS-WP
<b>Explosion Proof</b>			
MPS-400X	Red	8403	Backbox Provided
<b>Backboxes</b>			
MPS-ISB	Red	8404	
MPS-WP	Red	8405	
<b>Breakrods</b>			
MPS-RODS	Red	8406	



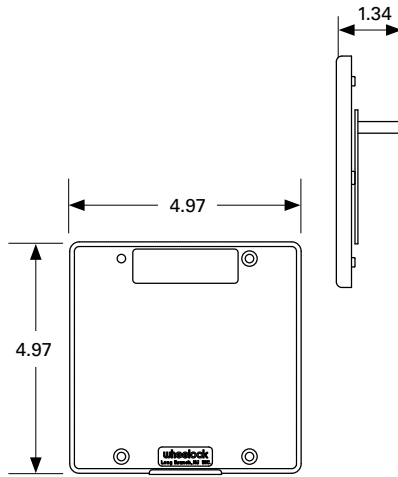


## Sync Modules/Power Supplies

Sync modules provide synchronization of strobe flashes and code 3 temporal evacuation alarm produced by Wheelock for single and dual class applications.

8-Amp filtered and regulated, supervised remote power supply/battery chargers are available for supervision and expanded power driving capability of fire alarm notification appliance circuits.

**Sync Module**



**Series DSM Sync Module**

**Available features and options:**

- Uniquely designed to accept an independent strobe and audible input from the FACP and convert to a single output that connects to Wheelock's Series Exceder or AS family of audible strobes
- Series DSM Sync Modules can also be used to synchronize Wheelock's Series RSS and RSSP
- 3-Ampere-per-circuit current handling at 12 or 24 VDC
- Compatible with all standard fire alarm control panels
- Meets the NFPA-72 requirement for Temporal Pattern when used with the Series AS/AH and/or Series Exceder
- 3-year warranty

**Finish Color:** Red

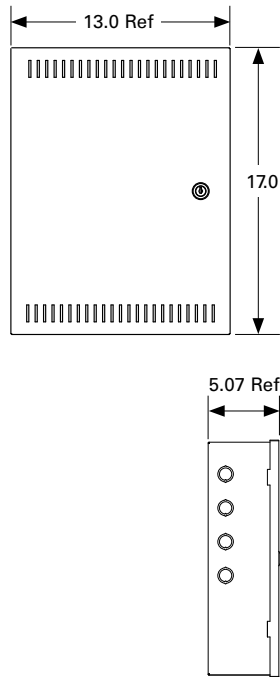
**Mounting:** Wall

**Voltage:** 12 or 24 VDC (3 ampere per circuit)

**Approvals:** UL, CSFM, MEA, BFP, FM, ULC

<b>Model Number</b>	<b>Finish</b>	<b>Order Code</b>
DSM-12/24-R	Red	6374

**Power Supplies**



**Series PS-8-LP Power Supplies**

**Available features and options:**

- Input and output can be synchronized with “IN>OUT SYNC” mode (DSM, 2nd POWERPATH™ or FACP with synchronization protocol is required)
- 24VDC battery backup connection
- Built-in battery charger for sealed lead acid or gel type batteries
- Audible silence capability

**Finish Color:** Red or Black

**Input Current:** 0.005 Amps

**Input Voltage Range:** 8–33 VDC

**Standby & Alarm Current:** 0.129 Amps

**Primary PS-8-LP (120 VAC):** 105 to 130 VAC, 50/60 Hz @ 5.32 Apms

**Approvals:** UL Standard 864, 1481, 2572; CSFM; FM

Model Number	Finish	Order Code
PS-8-LP	105540	8 amp power supply, red enclosure, 120V
PS-8E-LP	105542	8 amp power supply, red enclosure, 220V
PS-8-B-LP	105587	8 amp power supply, black enclosure, 120V
PS-8E-B-LP	105555	8 amp power supply, black enclosure, 240V
PS-8-EXP-LP	105553	8 amp power supply with preinstalled expansion module, red enclosure, 120V
PS-8E-EXP-LP	105552	8 amp power supply with preinstalled expansion module, red enclosure, 240V
PS-EXP	105334	4 class B or 2 class A expan. mod

Input Circuit	Input Voltage and Current
Input voltage Range	8 to 33 VDC
Input Current @ 12 VDC	0.005 amps
Input Current @ 24 VDC	0.005 amps

Model	Dimensions	Comments
PS-8-LP	17”H x 13”W x 3.5”D	Small profile
PS-EXP	4.3”H x 3.7”W x 1”D	Plugs into main pcb on all models

Input Circuit	Input Voltage and Current
Four (4) Class B or	
Two (2) Class A or	
One (1) Class A and Two (2) Class “B” or	24 VDC @ up to 3 amps per circuit
8 Class B or 4 Class A (optional PS-EXP module necessary)	
Standby Current	0.129 Amps
Alarm Current	0.129 Amps
Primary Panel Power (120 VAC models)	105 to 130 VAC, 60 Hz @ 5.0 Amps
Primary Panel Power (240 VAC models)	210 to 260 VAC, 60 Hz @ 2.5 Amps
Secondary Power Charging Capacity	32 Amp hours
Enclosure can house 7 AH batteries	

Aux Output	
CP Mode	PS-8 up to 250 mA
MP Mode	2.5A during non alarm



## Accessories

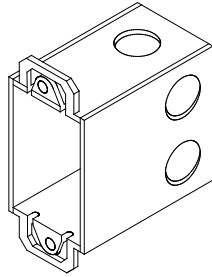
- Mounting Options
- Appliance Enclosures
- Agency Approvals

# Mounting Options

## (B) Single-Gang, Flush (B0)

Used with Series MIZ, RSS

See Notes 1 & 8

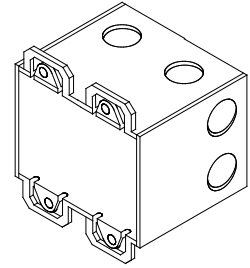


### Maximum Number of Conductors

AWG. #18	AWG. #16	AWG. #14	AWG. #12
4	4	4	4

## (F) Double-Gang, Flush (B0)

See Note 4

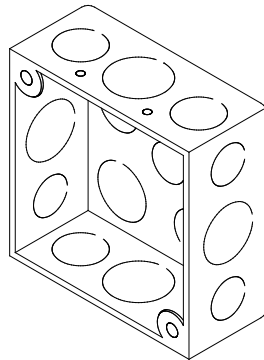


### Maximum Number of Conductors

AWG. #18	AWG. #16	AWG. #14	AWG. #12
4	4	4	4

## (D) 4" Square, Flush (B0)

See Note 2



### Maximum Number of Conductors

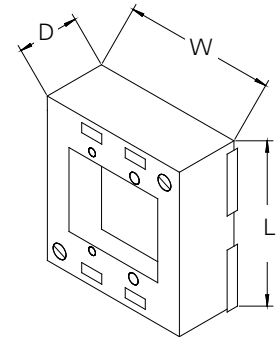
AWG. #18	AWG. #16	AWG. #14	AWG. #12
4	4	4	4

1-1/2" deep

## (G) Double-Gang, Surface (B0)

Used with Series RSS

See Note 5



Length	Width	Depth	Gang #
4-3/4"	4-3/4"	1-3/4"	2

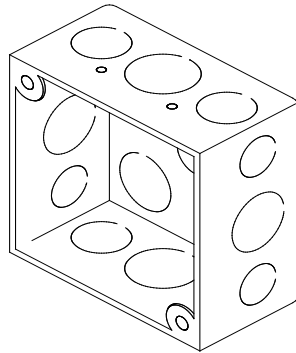
### Maximum Number of Conductors

AWG. #18	AWG. #16	AWG. #14	AWG. #12
4	4	4	4

## (E) 4" Square, Deep, Flush (B0)

Used with Series 31T, 43T, AMT, ET-1010, HS4, HS, MB, MT, MT4, RSS, RSSP

See Note 3



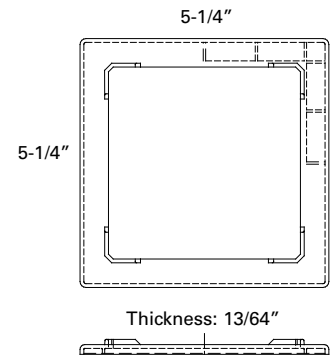
### Maximum Number of Conductors

AWG. #18	AWG. #16	AWG. #14	AWG. #12
8	8	8	8

2-1/8" deep

## (H) NATP (Order Codes: Red 8440, White 8441)

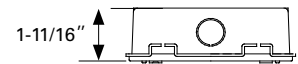
Used with Series RSS



## (I) WPBB (Order Code: 9014)

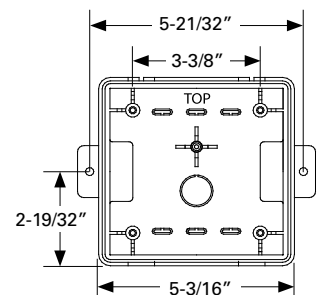
For surface mounting AS outdoor products

Used with Series ASWP Weatherproof



### Maximum Number of Conductors

AWG. #18	AWG. #16	AWG. #14	AWG. #12
8	8	8	8



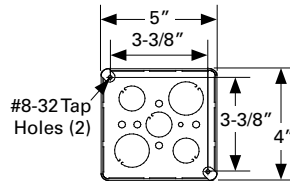


**(J) BB Backbox (Order Codes: Red 2830, Gray 2349)**

Standard steel backbox with knockouts for interior surface mounting, concealed conduit mounting or semi-flush applications. It is painted to match the signal.

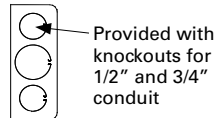
Used with Series 31T, 43T, MB, MT4, RSS

See Note 9



**Maximum Number of Conductors**

AWG. #18	AWG. #16	AWG. #14	AWG. #12
4	4	4	4



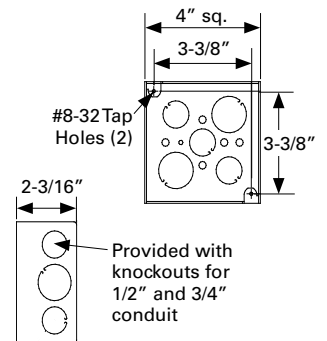
**(N) DBB Backbox (Order Code: 2955)**

Standard steel backbox provided with knockouts for interior surface mounting, concealed conduit mounting or semi-flush applications. It is painted to match the signal.

Used with Series 31T, 43T, AMT, ET-1010, HS4, HS, MB, MT, MT4, RSS

**Maximum Number of Conductors**

AWG. #18	AWG. #16	AWG. #14	AWG. #12
8	8	8	8

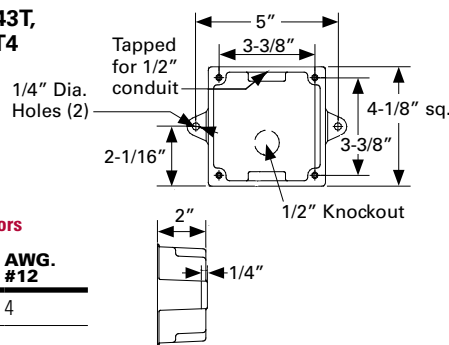


**(K) WBB Weather Resistant Backbox (Order Codes: Red 2959, White 2411)**

Sturdy die-cast housing, threaded conduit hole and knockout for outdoor applications. It is painted to match the signal.

Used with Series 31T, 43T, AHWP, ET-1010, MB, MT4

See Note 2

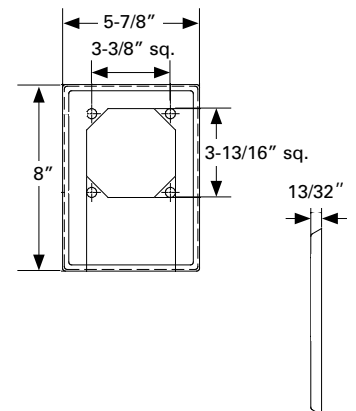


**Maximum Number of Conductors**

AWG. #18	AWG. #16	AWG. #14	AWG. #12
4	4	4	4

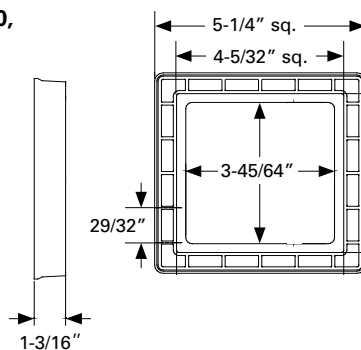
**(O) RP-R Retrofit Plate (Order Code: 5042)**

Used with Series 31T, 43T, AMT, CH70, E70, ET70, ET-1010, ET-1080, HS4, HS, MB, MT, MT4, RSS



**(L) ISP2 Surface Adapter (Order Code: Red 3194, White 3195)**

Used with Series AMT, CH70, E70, ET70, HS4, HS, MT

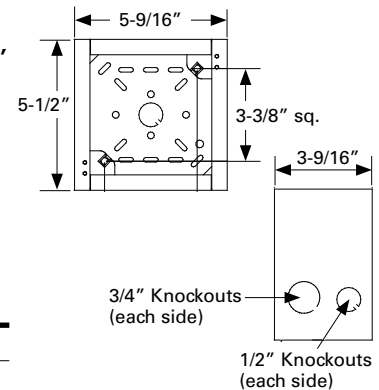


**(P) SBB Backbox (Order Codes: Red 3204, White 3193)**

For surface mounting speakers, chimes, and electronic applications

Used with Series 43T, AMT, CH70, E70, ET70, ET-1080, HS4, HS, MB, MT, RSS

See Note 11



**Maximum Number of Conductors**

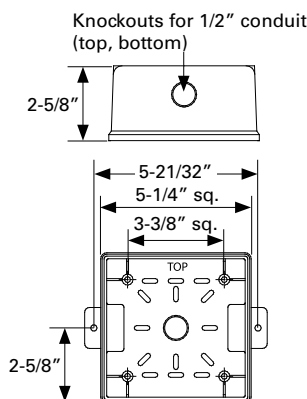
AWG. #18	AWG. #16	AWG. #14	AWG. #12
8	8	8	8

**(M) IOB Backbox (Order Codes: Red 5046, White 5047)**

For surface mounting MT products

Used with Series AMT, ET70WP, HS4, HS, MT, MTWP

See Note 10



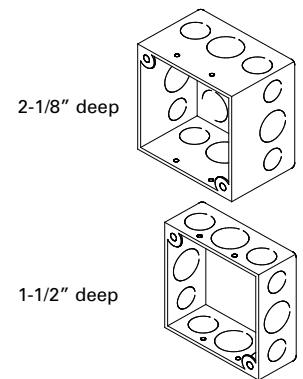
**Maximum Number of Conductors**

AWG. #18	AWG. #16	AWG. #14	AWG. #12
8	8	8	8

**(Q) 4" Square Deep w/ Extension Ring, Flush (B0)**

Used with Series CH70, CH90, E70, ET70, E90, ET90, ET-1080

See Note 6



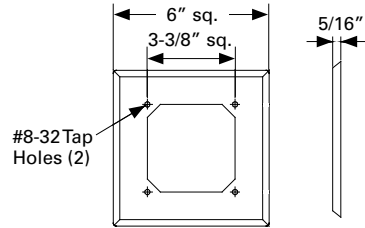
Exterior Ring Depth	1-1/2"	2-1/8"
AWG. #18	8	8
AWG. #16	8	8
AWG. #14	8	8
AWG. #12	4	8

## Mounting Options

### (R) SFP Semi-Flush Plate (Order Codes: Red 2957, White 2958)

Stamped aluminum surface wall plate which mounts behind the basic unit and serves to cover recessed backboxes in semi-flush mounting applications. It is painted to match the signal.

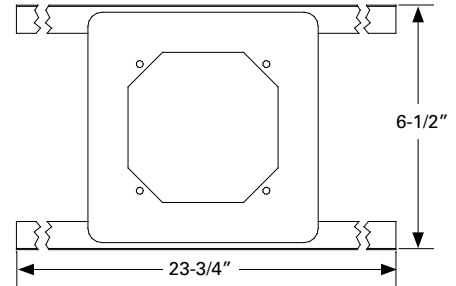
Used with Series 31T, 43T, AMT, CH70, E70, ET70, ET-1010, ET-1080, HS4, HS, MB, MT, MT4, RSS



### (V) SSB-4 Ceiling Support Bridge (Order Code: 3380)

Provisions for (4) J-nuts #8-32 ib 3-3/8" square. Material: Steel

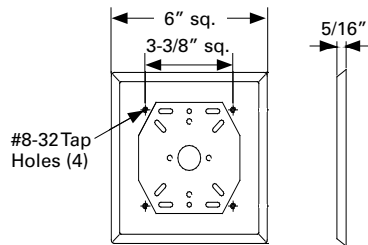
Used with Series CH70, CH90, E70, ET70, E90, ET90, ET-1080



### (S) AP Adapter Plate (Order Code: 2961)

Stamped aluminum adapter plate designed for applications where semi-flush installations cannot be used. The plate can be mounted to standard octagon or round backboxes single or double gang boxes or plaster rings. The backbox and basic unit are then fastened to the plate. This type mounting is referred to as a concealed conduit installation. It is painted to match the signal.

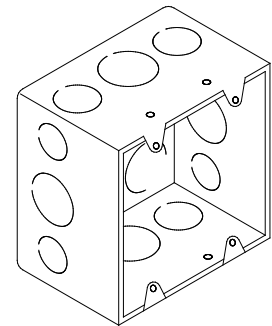
Used with Series 43T, MB



### (W) 4-11/16" Square, Deep Surface (B0)

Used with Series DSM

See Note 7

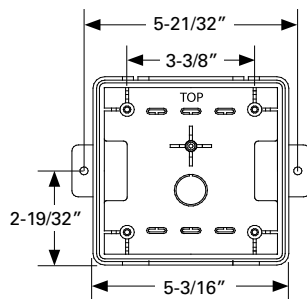
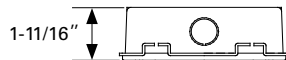


#### Maximum Number of Conductors

AWG. #18	AWG. #16	AWG. #14	AWG. #12
10	10	10	10

### (T) WPSBB-R (Order Codes: Red 9751, White 3033)

Used with Series RSSWP Weatherproof

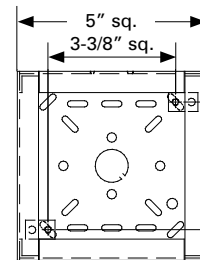
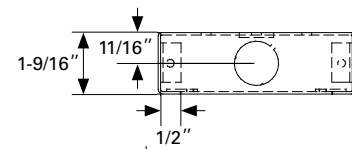


#### Maximum Number of Conductors

AWG. #18	AWG. #16	AWG. #14	AWG. #12
8	8	8	8

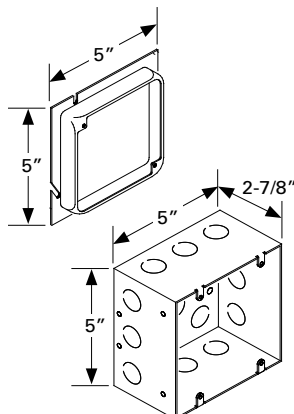
### (X) SHBB Square, Surface Backbox (Order Codes: Red 7254, White 7255)

Used with Series 43T, MB, RSS



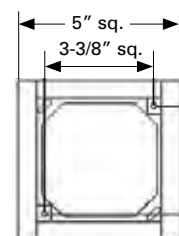
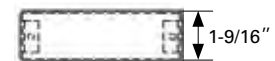
### (U) 5" Square Backbox w/ Extension Ring, Flush (B0)

Used with Series CH70, CH90, E70, ET70, E90, ET90, ET-1080



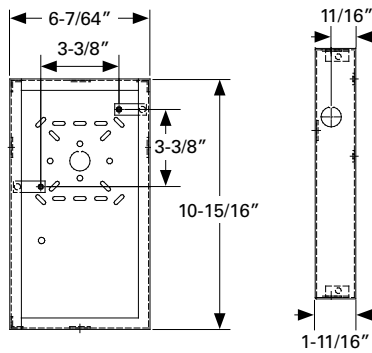
### (Y) SER-R Square Semi-Flush Extension Ring (Order Codes: Red 3045, White 3049)

Used with Series CH70, E70, ET70



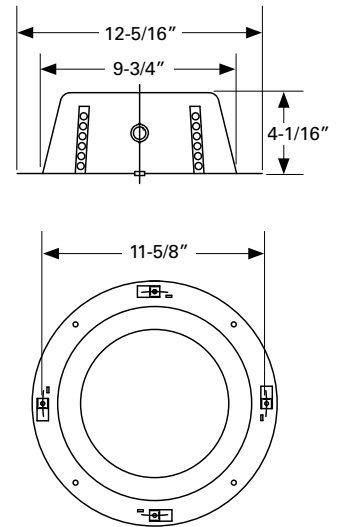
(Z) SBL-2 Backbox (Order Codes: Red 6988, White 6989)

Used with Series RSSP



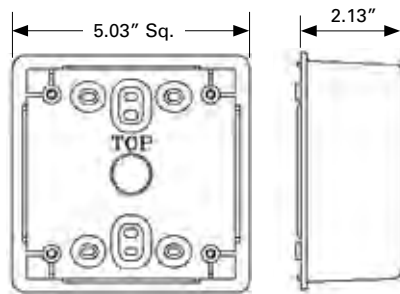
(DD) CBB-8 8" Ceiling Speaker Backbox (Order Code: 3314)

Used with Series S 8" Ceiling Speakers

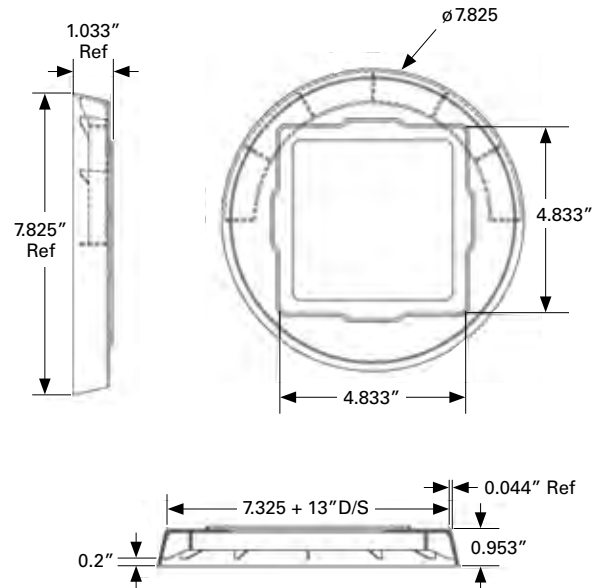


(AA) E50SB-R (Order Codes: Red 0230, White 0231)

Used with Series E50

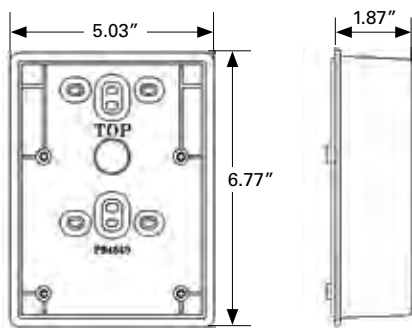


(EE) E60 Extension Ring (Order Code: Red 3758, White 3757)



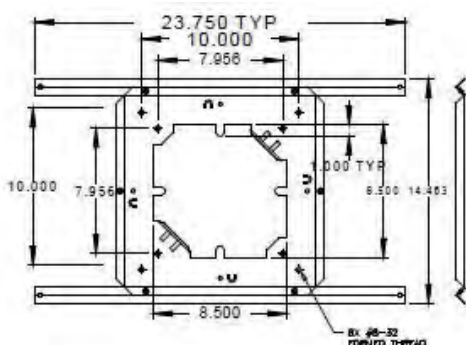
(BB) E50SSB-R (Order Codes: Red 0232, White 0233)

Used with Series E50

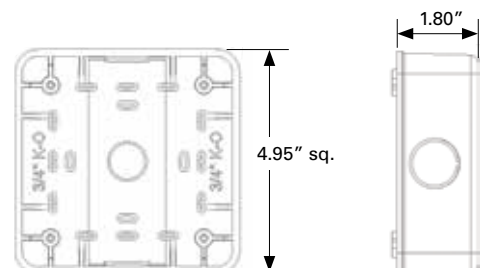


(CC) SSB-8 8" Ceiling Support Bridge (Order Code: 3573)

Used with Series S 8" Ceiling Speakers

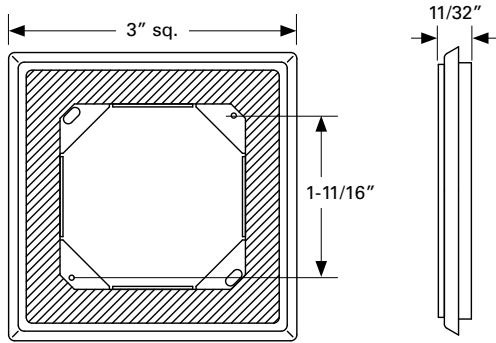


(FF) ZBB (Order Codes: Red 6036, White 6045)

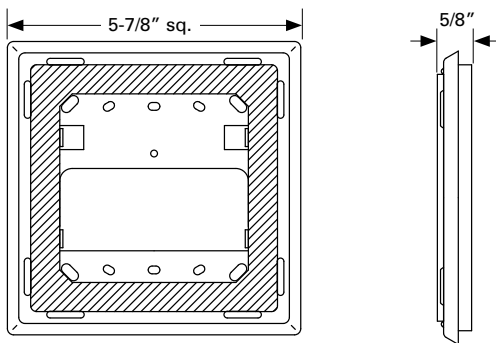


## Mounting Options

### (GG) WFP Plate (Order Codes: Red 4696, White 4697)



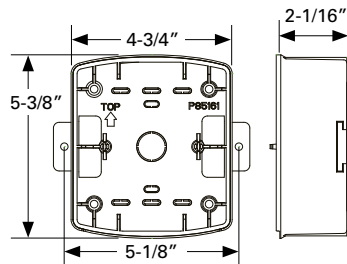
### (HH) WFPA Plate (Order Codes: Red 4696, White 4697)



### (II) ESB Backbox (Order Codes: Red 2749, White 2750)

For indoor surface mounting of Exceder products

Used with Exceder ST,  
HS, HN



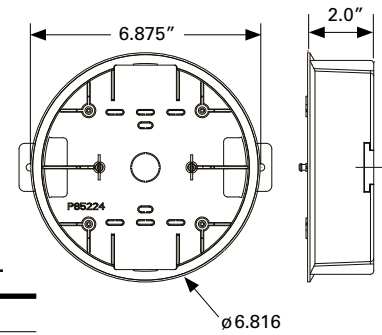
#### Maximum Number of Conductors

AWG. #18	AWG. #16	AWG. #14	AWG. #12
4	4	4	4

### (JJ) ESBC Backbox (Order Codes: Red 2751, White 2752)

For indoor surface mounting of Exceder products

Used with Exceder STC,  
HSC, HNC



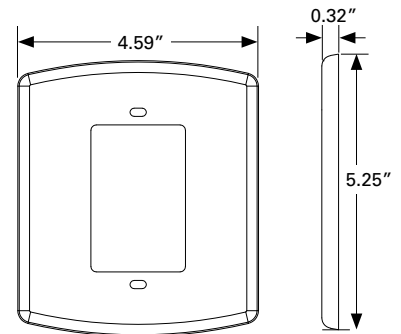
#### Maximum Number of Conductors

AWG. #18	AWG. #16	AWG. #14	AWG. #12
4	4	4	4

### (KK) ESB-KIT (Order Codes: Red 0533, White 0534)

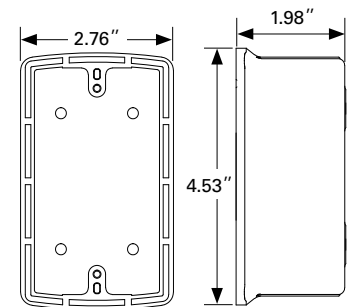
Trim Plate Kit for Exceder LED

Used with Exceder LST3,  
LHS3, LHN3



### (LL) LSBB Backbox (Order Codes: Red 2402, White 2403)

Used with Exceder LST3,  
LHS3, LHN3

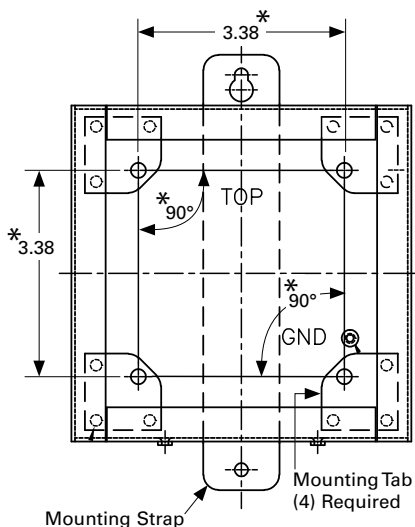


#### Maximum Number of Conductors

AWG. #18	AWG. #16	AWG. #14	AWG. #12
4	4	4	4

**(MM) OSB**

Used with ET1080

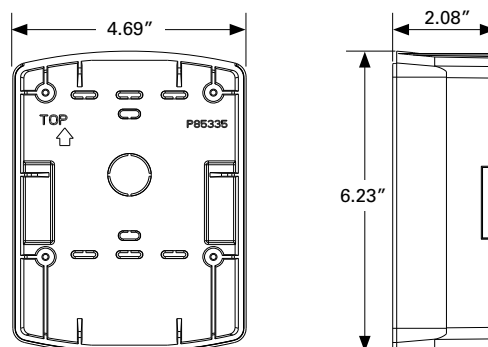


\*Refer to specification sheet S7000 for mounting option details.

**(NN) LSPKBB Backbox (Order Codes: Red 0756, White 0757)**

For indoor surface mounting of Exceder LED Speaker products

Used with Exceder LSPK, LSPST3

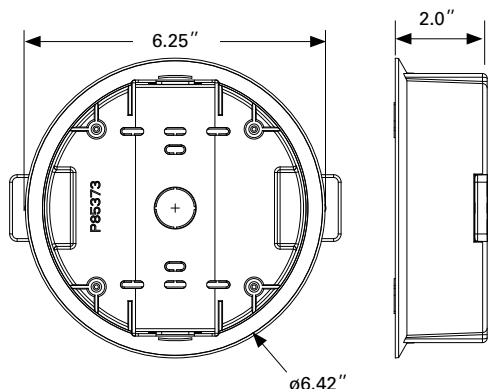


**Maximum Number of Conductors**

AWG. #18	AWG. #16	AWG. #14	AWG. #12
4	4	4	4

**(00) LSPKBB-C Backbox (Order Codes: Red 0927, White 1003)**

Used with Exceder LED Ceiling LSTC3, LHSC3, LHNC3, LSPKC, LSPSTC3

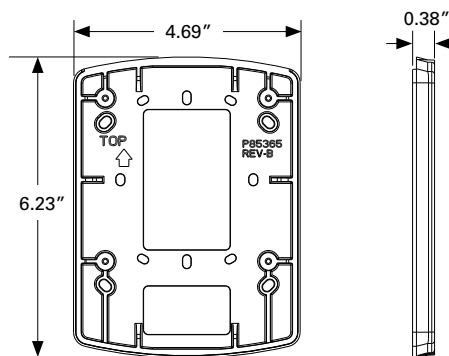


**Maximum Number of Conductors**

AWG. #18	AWG. #16	AWG. #14	AWG. #12
4	4	4	4

**(PP) LFTP Trim Plate Kit (Order Codes: Red 1112, White 2113)**

Included with Exceder LED Low Frequency Sounders LFHNK3 and LFHSK3



- Figure B is typical of a Steel City LXM-WOW box or equal. Figure B should be a 3.5" deep backbox for conduit installations and is typical of a Steel City CY-1/2 box or equal.
- Figure D is typical of a Steel City 52151 box or equal.
- Figure E is typical of a Steel City 52171 box or equal.
- Figure F is typical of two Steel City LXM-WOW boxes or equal.
- Figure G is typical of a Wiremold 5748-2 box or equal.
- Figure Q is typical of a Steel City 52171 box with a Steel City 53151 extension ring or equal.

- Figure W is typical of a Steel City 72171-1 box or equal.
- Use 3.5" deep backbox on all MIZ products when EMT conduit is used.
- When used with AC Horn (J), "BB" must be used for surface mount.
- HS4, HS, MT or MTWP Strobe are for outdoor mounting.
- Use with Series RSSP.
- Figure U is typical of a RANDL Industries backbox. ("Total Number of conductors shall be in accordance with NEC table 314.16 (B)").



# Mounting Options

## Mounting Matrix

	Series E90/ET90	Series RSS/RSSR	Series RSSP	Series 31T	Series E50	Series 43T Bells	Series CH	Series ET80	Series ET1010	Series MB Motor Bells	Series E70/ET70	Series E60	Series MIZ/MIZ-TC	Series MT	Series HS4/HS	Series SM/DSM	Series AMT	Series RSSWP(1), ASWP(2), AHWP(3), MTWP(4), ET70WP(4)	Series S8	Series Exceder - STC, HSC, HNC	Series Exceder - ST, HS, HN	Series Exceder LED - LST3, LHS3, LHN3	Series Exceder LED - LSPK, LSPST3	Series Exceder LED - LSTC3, LHSC3, LHNC3, LSPKC, LSPSTC3
(A) Universal Mounting Plate																								
(B) 1-GANG x 2" Deep – Flush (BO) Note 1 & 8		X										X												
(D) 4" x 4" x 1.5" Deep – Flush (BO) Note 2		X	X	X		X				X														
(E) 4" x 4" x 2.125 Deep – Flush (BO) Note 3		X	X	X	X	X		X	X					X	X		X							
(F) 2-Gang x 3.5" Deep – Flush (BO) Note 4 & 8		X												X	X		X							
(G) 2-Gang x 1.75" Deep – Surface (BO) Note 5		X																						
(H) NATP Trim Plate		X																						
(I) WPBB-R Weatherproof Backbox for ASWP																								2
(J) BB Surface (WSI) Note 9		X		X	X					X														
(K) WBB Weatherproof (WSI)				X	X			X	X															3
(L) ISP Adapter (WSI) for Square Products							X	X						X	X		X							
(M) IOB Surface & Weatherproof (WSI) Note 10											X			X	X		X							4
(N) DBB Surface (WSI)		X	X	X	X			X	X					X	X		X							
(O) RP-R Retrofit Plate		X	X	X	X	X	X	X	X					X	X		X							
(P) SBB Surface (WSI) Note 11	X	X			X	X	X	X	X	X				X	X		X							
(Q) 4" x 4" x 2.125" Box w/ 1.5" Extension Ring – Flush (BO) Note 6	X		X			X	X			X	X													
(R) SPT Semi-Flush Plate (WSI)		X	X	X	X	X	X	X	X	X				X	X		X							
(S) AP Adapter Plate (WSI)					X			X	X	X														
(T) WPSBB-R Weatherproof Backbox for RSSWP																								1
(U) 5" Square Backbox w/ Extension Ring, Flush (BO)	X					X	X				X													
(V) SSB-4 Ceiling (WSI) Support Bridge	X					X	X			X	X													
(W) 4.6875" x 4.6785" x 2.125" Deep Surface (BO)																X								
(X) SHBB (WSI) Shallow Surface		X			X				X															
(Y) SER Semi-Flush Extension Ring (Retrofit Appl.)	X					X			X															
(Z) SBL-2 Surface (WSI) Note 11		X	X	X		X	X	X	X															
(AA) E50SB Backbox for E50 Speaker					X																			
(BB) E50SSB Backbox for E50 Speaker Strobe					X																			
(CC) SSB-8 8" Speaker Support Tile Bridge																								X
(DD) CBB-8 8" Ceiling Speaker Backbox																								X
(EE) E60 Extension Ring												X												
(FF) ZBB																								
(II) ESB Backbox																								X
(JJ) ESBC Backbox																								X
(LL) LSBB Backbox																								X
(NN) LSPKBB Backbox																								X
(OO) LSPKBB-C Backbox																								X
<b>Data Sheet Number(s)</b>	<b>S0310 S1610</b>	<b>S0410 S9008</b>	<b>S0410</b>	<b>S0500</b>	<b>S0510</b>	<b>S0600</b>	<b>S0710</b>	<b>S0800</b>	<b>S0800</b>	<b>S1500</b>	<b>S0310 S1610</b>	<b>S1611</b>	<b>S1700</b>	<b>S2000</b>	<b>S2400</b>	<b>S3000</b>	<b>S4000</b>	<b>S9004</b>	<b>S1100</b>	<b>Exceder</b>	<b>Exceder</b>	<b>Exceder LED</b>	<b>Exceder LED Speaker</b>	<b>Exceder LED Ceiling</b>

**Mounting Notes**

⚠ Caution: The mounting options figures show the maximum number of field wires (conductors) that can enter the backbox used with each mounting option. If these limits are exceeded, there may be insufficient space in the backbox to accommodate the field wires and stresses from the wires could damage the product. Although the limits shown for each mounting option comply with the National Electrical code (NEC), Wheelock recommends use of the largest backbox option and the use of approved stranded field wires whenever possible, to provide additional wiring room for easy installation and minimum stress on the product from wiring.

⚠ Caution: Check that the installed product will have sufficient clearance and wiring room prior to installing backboxes and conduit, especially if sheathed multiconductor cable or 3/4" conduit fittings are used.

1. Mounting hardware for each mounting option is supplied.
2. Conduit entrances to the backbox should be selected to provide sufficient wiring clearance for the installed product. When extension rings are required, conduit should enter through the backbox, not the extension ring. Use Steel City #53151 (1-1/2" deep) or #53171 (2-1/8" deep) extension rings (as noted in the mounting options) or equal with the same cut-out area.
3. When terminating field wires, do not use more lead length than required. Excess lead length could result in insufficient wiring space for the appliance.
4. Use care and proper techniques to position the field wires in the backbox so that they use minimum space and produce minimum stress on the product. This is especially important for stiff, heavy gauge wires and wires with thick insulation or sheathing.
5. Do not pass additional wires (used for other than the appliance) through the backbox "unless the backbox is of a sufficient size to permit additional wiring as described in NEC 314.16 (B)". Such additional wires could result in insufficient wiring space for the appliance.

**Note:** Due to continuous development of our products, specifications and offerings are subject to change without notice in accordance with Wheelock Inc. standard terms and conditions.

## Backbox Mounting Heights for Wheelock Wall-Mounted Horizontal Strobe Appliances

NFPA-72 (2002)

7.5.4\* Appliance Location. Wall-mounted appliances shall be mounted such that the entire lens is not less than 2.0 m (80 in.) and not greater than 2.4 m (96 in.) above the finished floor.

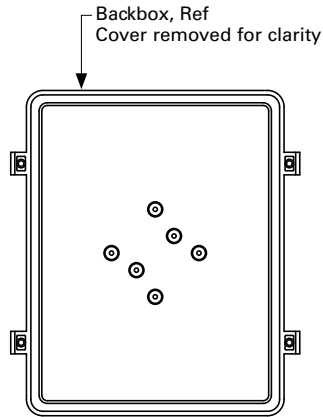
Backbox Mounting Options*	RSSP Flush Surface Retrofit		Exceder ST, HS, HN		RSS Strobe		MT and AMT Multitone Strobe		Exceder LED - LST3, LHS3, LHN3		Exceder LED Speakers - LSPK, LSPST3	
	80 In.	6 In.	80 In.	6 In.	80 In.	6 In.	80 In.	6 In.	80 In.	6 In.	80 In.	6 In.
(B) 1-Gang x 2" Deep – Flush (BO)			80 3/4	5 1/4	79 1/8	6 7/8			79	7		
(D) 4" x 4" x 1.5" Deep – Flush (BO)	83 15/16		80 1/4	5 3/4	78 5/8	7 3/8	77 1/8	8 1/8			80 1/4	5 3/4
(E) 4" x 4" x 2.125" Deep – Flush (BO)	83 15/16		80 1/4	5 3/4	78 5/8	7 3/8	77 7/8	8 1/8			80 1/4	5 3/4
(F) 2-Gang x 3.5" Deep – Flush (BO)			80 3/4	5 3/4	79 1/8	6 7/8	78 3/8	7 5/8				
(G) 2-Gang x 1.75" Deep – Surface (BO)			79 7/8	6 1/8	78 1/4	7 3/4	77 1/2	8 1/2				
(M) IOB Surface & Weatherproof (WSI)							77 1/4	8 3/4				
(P) SBB Surface (WSI)							77 1/8	8 7/8				
(Q) 4" x 4" x 2.125" Box w/ 1.5" Extension Ring – Flush (BO)	83 15/16		80 1/4	5 3/4	78 5/8	7 3/8	77 7/8	8 1/8	78 1/8	7 1/2		
(U) 5" Square Backbox w/ Extension Ring, Flush (BO)	83 7/16				78 1/8	7 7/8	77 3/8	8 5/8				
(X) SHBB (WSI) Shallow Surface					78 1/8	7 7/8						
(Y) 4" x 4" x 1.5" Box w/ 1.5" Extension Ring Plate (BO)												
(Z) SBL-2 Surface (WSI)	80 1/2											
(II) ESB Backbox 5.375" x 4.75" x 2.0625"			79 9/16	6 7/16								
(LL) LSBB Backbox 4.53" x 2.76" x 1.98"								78 3/4	7 1/4			
(NN) LSPKBB Backbox 6.23" x 4.69" x 2.08"											78 1/2	7 1/2

Backbox Mounting Options*	Series CH70 Chime Strobe		Series ET80 Speaker Strobe		Series E70 Speaker Strobe		Series ET70 Speaker Strobe		Series SA-70S Self Amplified Speaker Strobe	
	80 In.	6 In.	80 In.	6 In.	80 In.	6 In.	80 In.	6 In.	80 In.	6 In.
(P) SBB Surface (WSI)	77 3/4	8 1/4	79 3/16	6 13/16	77 3/4	8 1/4	77 3/4	8 1/4	79 3/16	6 13/16
(Q) 4" x 4" x 2.125" Box w/ 1.5" Extension Ring – Flush (BO)	77 1/2	7 1/2	80	6	78 1/2	7 1/2	78 1/2	7 1/2	80	6
(U) 5" Square Backbox w/ Extension Ring – Flush (BO)	78	7	79 1/2	5 1/2	78	7	78	7	79 1/2	5 1/2
(X) SHBB (WSI) Shallow Surface										
(Y) 4" x 4" x 1.5" Box w/ 1.5" Extension Ring Plate – Flush (BO)	78 1/2	7 1/2	80	6						

\* Measured from bottom of backbox (inches)

**Note:** (BO) = By Others; (WSI) = Wheelock Product

## Appliance Enclosures



Enclosure dimensions (approx.):  
9.5" H x 7.5" W x 7.5" D

## Series EN4, EWR, EWP Appliance Enclosures

### Available features and options:

- Vandal resistant
- Easy installation and access for service
- Provides protection from incidental contact with equipment, falling dirt, falling liquids, light splashes, rain, etc.
- UV stabilized against discoloration

**Options:** Slotted, weather-resistant enclosure with drain screen (EWR); weatherproof enclosure with drain screen (EWP); NEMA 4 Rated Enclosure (EN4)

**EWR Dimensions:** 9.5" H x 7.5" W x 7.5" D

**EWP Dimensions:** 9.5" H x 7.5" W x 7.5" D

**EN4 Dimensions:** 9.5" H x 7.5" W x 7.5" D

**Approvals:** UL Listed, NEMA (EN4) rated

Model Number	Order Code
EWR	8151
EWP	8150
Low Voltage	
EN4	8152

Model	Agency Approvals				
	UL	MEA	CSFM	FM	ULC
31T-115R	X	*	X	X	*
31T-115-R-ULC	X	X	X	X	X
43T-G10-115-R	X	*	X	X	X
43T-G10-24-R	X	*	X	X	X
43T-G6-115-R	X	*	X	X	X
43T-G6-24-R	X	*	X	X	X
AH-12WP-R	X	X	X	X	*
AH-24WP-R	X	X	X	X	X
AMT-12/24-R	X	X	X	X	X
AMT-12/24-R-NYC	X	X	X	X	X
AMT-24MCW-FR	X	*	X	X	X
AMT-24MCW-FW	X	*	X	X	X
ASWP-2475W-FR	X	*	X	*	X
CH70-241575-FR	X	X	X	*	*
CH70-24MCW-FR	X	X	X	*	*
CH70-24MCW-FW	X	X	X	*	*
CH70-24MCWH-FR	X	X	X	*	*
CH70-24MCWH-FW	X	X	X	*	*
CH70-24-R	X	X	X	*	*
CH90-24MCC-FW	X	X	X	*	*
CH90-24MCCH-FW	X	X	X	*	*
CH90-24-W	X	X	X	*	*
CSX10-115-R (CSA)	X	X	X	*	*
CSX10-24-R (CSA)	X	X	X	*	*
CVX10-115-R (CSA)	X	X	X	*	*
E50-24MCW-FR	X	X	X	X	*
E50-24MCW-FW	X	X	X	X	*
E50-24MCWH-FR	X	X	X	X	*
E50-24MCWH-FW	X	X	X	X	*
E50-R	X	X	X	X	*
E50-W	X	X	X	X	*
E50H-24MCW-FR	X	*	X	*	X
E50H-24MCW-FW	X	*	X	*	X
E50H-24MCWH-FR	X	*	X	*	X
E50H-24MCWH-FW	X	*	X	*	X
E50H-R	X	*	X	*	X
E50H-W	X	*	X	*	X
E60-24MCC-FR	X	*	X	X	*
E60-24MCC-FW	X	*	X	X	*
E60-24MCCH-FR	X	*	X	X	*
E60-24MCCH-FW	X	*	X	X	*
E60-R	X	X	X	X	*
E60-W	X	X	X	X	*
E60H-24MCC-FR	X	*	X	*	X
E60H-24MCC-FW	X	*	X	*	X
E60H-24MCCH-FR	X	*	X	*	X
E60H-24MCCH-FW	X	*	X	*	X
E60H-R	X	*	X	*	X
E60H-W	X	*	X	*	X
E70-24MCW-FR	X	X	X	X	*
E70-24MCW-FW	X	X	X	X	*
E70-24MCWH-FR	X	X	X	X	*
E70-24MCWH-FW	X	X	X	X	*
E70-N	X	X	X	X	*
E70-R	X	X	X	X	*
E70H-24MCW-FR	X	*	X	*	X
E70H-24MCW-FW	X	*	X	*	X

Model	Agency Approvals				
	UL	MEA	CSFM	FM	ULC
E70H-24MCWH-FR	X	*	X	*	X
E70H-24MCWH-FW	X	*	X	*	X
E70H-R	X	*	X	*	X
E70H-W	X	*	X	*	X
E90-24MCC-FW	X	X	X	X	*
E90-24MCCH-FW	X	X	X	X	*
E90-N	X	X	X	X	*
E90-W	X	X	X	X	*
E90H-24MCC-FR	X	*	X	*	X
E90H-24MCC-FW	X	*	X	*	X
E90H-24MCCH-FR	X	*	X	*	X
E90H-24MCCH-FW	X	*	X	*	X
E90H-R	X	*	X	*	X
E90H-W	X	*	X	*	X
ET-1010-R	X	X	X	X	*
ET-1010-W	X	X	X	X	*
ET-1080-R	X	X	X	X	*
ET70-24MCW-FW	X	X	X	X	*
ET70-24MCWH-FR	X	X	X	X	*
ET70-24MCWH-FW	X	X	X	X	*
ET70-N	X	X	X	X	*
ET70-R	X	X	X	X	*
ET70WP-2475W-FR	X	X	X	X	*
ET80-24MCW-FR	X	X	X	X	*
ET80-24MCW-FW	X	X	X	X	*
ET80-24MCWH-FR	X	X	X	X	*
ET80-24MCWH-FW	X	X	X	X	*
ET90-24MCC-FW	X	X	X	X	*
ET90-24MCCH-FW	X	X	X	X	*
ET90-N	X	X	X	X	*
ET90-W	X	X	X	X	*
HNR	X	*	X	X	X
HNRC	X	*	X	X	X
HNW	X	*	X	X	X
HNWC	X	*	X	X	X
HS-24-R	X	X	X	X	X
HS-24-W	X	X	X	X	X
HS4-24MCW-FR	X	X	X	X	X
HS4-24MCW-FW	X	X	X	X	X
HS4-24MCWH-FR	X	X	X	X	*
HS4-24MCWH-FW	X	X	X	X	*
HSR	X	*	X	X	X
HSRC	X	*	X	X	X
HSW	X	*	X	X	X
HSWC	X	*	X	X	X
LHN3	X	*	X		X
LHNC3	X	*	X		X
LHS3	X	*	X		X
LHSC3	X	*	X		X
LFHNC3	X	*	X		X
LFHSC3	X	*	X		X
LSPK	X	*	X	X	X
LSPKC	X	*	X	X	X
LSPST3	X	*	X		X
LSPSTC3	X	*	X		X
LST3	X	*	X		X
LSTC3	X	*	X		X

Model	Agency Approvals				
	UL	MEA	CSFM	FM	ULC
MB-G10-12-R	*	X	X	*	*
MB-G10-24-R	*	X	X	*	*
MB-G6-12-R	*	X	X	*	*
MB-G6-24-R	*	X	X	*	*
MIZ-24S-R	X	X	X	X	X
MIZ-24S-W	X	X	X	X	X
MT-12/24-R	X	X	X	X	X
MT-121575W-FR	X	X	X	X	X
MT-24MCW-FR	X	*	X	*	X
MT-24MCW-FW	X	*	X	*	X
MT4-115-R	X	X	X	*	*
MT4-115-WH-VFR	X	X	X	*	*
MTWP-2475W-FR	X	X	X	X	X
PS-8-LP	X	*	X	X	*
RSS-121575W-FR	*	*	*	*	*
RSS-24MCC-FW	X	X	X	X	X
RSS-24MCCH-FW	X	X	X	X	*
RSS-24MCCHR-FW	*	*	*	*	*
RSS-24MCCR-FW	*	*	*	*	*
RSS-24MCW-FR	X	X	X	X	X
RSS-24MCWH-FR	X	X	X	X	*
RSSP-121575W-FR	X	*	X	X	*
RSSP-24MCW-FR	X	X	X	X	X
RSSP-24MCWH-FR	X	X	X	X	*
RSSWP-2475W-FR	X	X	X	X	X
STR	X	*	X	X	X
STRC	X	*	X	X	X
STW	X	*	X	X	X
STWC	X	*	X	X	X



# Explosion-Proof and Hazardous Signaling

Eaton offers a wide range of signaling devices for explosion-proof and hazardous applications.

- Strobes
- Horns, Speakers & Combo Units
- Call Points, Bells & Relay

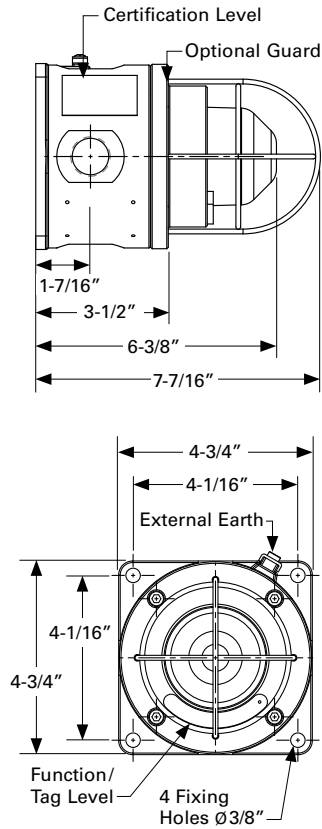




## Explosion-Proof and Hazardous Strobes

Eaton offers a variety of strobes for use in potentially harsh atmospheres and environmental conditions including UL listed, high output, and a number of color, voltage and candela models.

Strobes



**MEDC Series SM87HXB Strobes**

**Available features and options:**

- NEMA 4x & 6, IP66 & 67
- Light weight, corrosion resistant
- 4-Wire monitored connection

**Lens Color:** Red, Blue, Green, Yellow, Amber, Clear

**Voltage:** 24 VDC, 48 VDC, 110 VAC, 120 VAC, 230 VAC, 240 VAC, 254 VAC

**Certified Temperature:** -67°F to +158°F (-55°C to +70°C)

**Weight:** 4.4lb (2.0 kg approx)

**Material:** LM25 TF Marine Grade Alloy

**Entries:** Up to 4 off 1/2" or 3/4" NPT

**Approvals:**

- UL listed for US and Canada
  - Class I, Div 1, Groups C and D
  - Class I, Zone 1, AExd IIB
- CUL listed
- CSA certified

Model Number	Description	Order Code
SM87HXBAL024RN4R4LNNR	STRB, RED LENS, 24VDC, 29CD, CLASS 1 DIV 1, RD	PX56201144
SM87HXBAL024CN4L4RNNR	STRB, CLEAR LENS, 24VDC, 29CD, CLASS 1 DIV 1, RD	PX56201072
SM87HXBAL024CN4R4LNNR	STRB, AMBER LENS, 110VAC, 29CD, CLASS 1 DIV 1, RD	PX869166

Additional configuration options available: Body & lens color, tag & duty labels, certification, lens guard, flash rate, voltages 24–48 VDC, 110–254 VAC.

See the SM87HXB product specification sheet or contact the Eaton Customer Service Team.

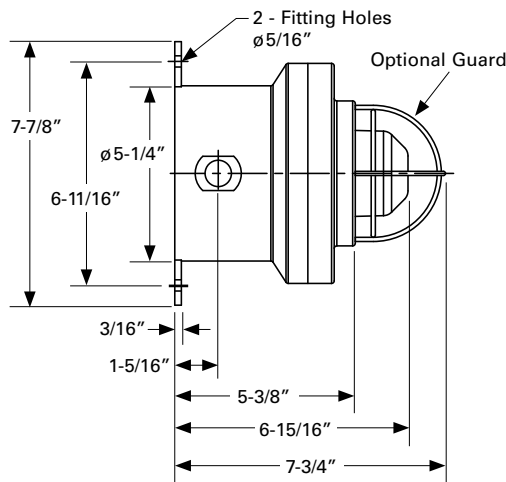
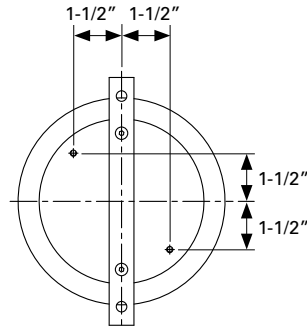
	DC		AC 50/60 Hz				
Voltage	24	48	110	120	220	240	254
Peak Current Consumption (mA)	393	175	250	275	120	135	153
Effective Intensity	29	29	32	39	32	39	44
Tube Energy	5	5	6	7	6	7	8

Lens Color	Multiplying factor for colored lenses
Red	0.15
Blue	0.12
Amber	0.51
Green	0.49
Yellow	0.86

**Strobes**



VIEW ON BASE SHOWING DIRECT MOUNTING HOLES



**MEDC Series XB11 Strobes**

**Available features and options:**

- NEMA 4x and 6, IP66 & 67
- Light weight, corrosion resistant
- 4-Wire monitored connection
- Output 29 Candela

**Lens Color:** Red, Blue, Green, Yellow, Amber, Clear

**Voltage:** 24VDC, 48VDC, 110 VAC, 240 VAC

**Certified Temperature:** -67°F to +158°F (-55°C to +70°C)

**Finish:** Natural Black, Red, Blue, Yellow, Grey, White, Special Finish

**Weight:** 5.5 lb (2.5kg)

**Material:** Corrosion-free GRP

**Approvals:**

- UL listed for US and Canada
  - Class I, Div 2, Groups C and D
  - Class I, Zones 1 and 2, AExd IIB T4/T5

Model Number	Description	Order Code
XB11UL02406CNBNNNR	STRB, CLEAR LENS, 24VDC, 29CD, CLASS 1 DIV 2, RD	PX869174
XB11UL02406RNBNNNR	STRB, RED LENS, 24VDC, 29CD, CLASS 1 DIV 2, BLK	PX869190
XB11UL02406RNBNNNR	STRB, RED LENS, 24VDC, 29CD, CLASS 1 DIV 2, RD	PX869171
XB11UL11006ANBNNNR	STRB, AMBER LENS, 110VAC, 29CD, CLASS 1 DIV 2, RD	PX869176
XB11UL11006RNBNNNR	STRB, RED LENS, 110VAC, 29CD, CLASS 1 DIV 2, RD	PX869175

Additional configuration options available: Body & lens color, tag & duty labels, certification, lens guard, flash rate, mounting method, voltages 24 VDC, 110–240 VAC.

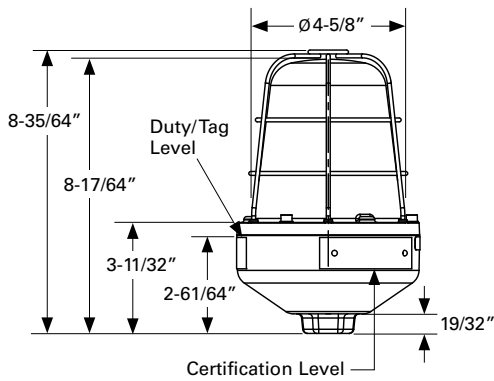
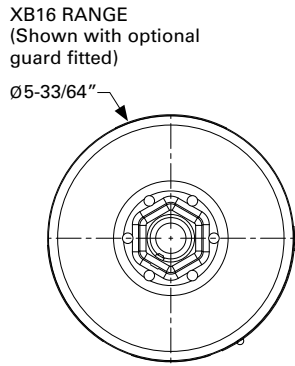
See the XB11 product specification sheet or contact the Eaton Customer Service Team.

	DC	AC 50/60 Hz	
Voltage	24	110	240
XB11 Tube Energy (Joules)	5	5	5
Peak Current Consumption (mA)	320	100	60
Effective Intensity	29	29	29

Lens Color	Multiplying factor for colored lenses
Red	0.15
Blue	0.12
Amber	0.51
Green	0.49
Yellow	0.86

**Note:** The cd figures are for a clear lens @ 1Hz flash rate.

Strobes



**MEDC Series XB16 Strobe Warning Lights**

**Available features and options:**

- NEMA 4x and 6, IP66 & 67
- Light weight
- Listed strobes for use in harsh environments

**Lens Color:** Red, Blue, Green, Yellow, Amber, Clear

**Voltage:** 24 VDC, 48 VDC, 110 VAC, 120 VAC, 230 VAC, 240 VAC, 254 VAC

**Certified Temperature:** -67°F to +158°F (-55°C to +70°C)

**Finish:** Natural Black, Red, Blue, Yellow, Green, White, Special Finish

**Weight:** 2.2 lb (1.0kg)

**Material:** Corrosion-free GRP

**Approvals:**

- UL listed for US and Canada
  - Class I, Div 2, Groups A\*, B\*, C and D
  - Class II, Div 2, Groups F and G

*\*Not applicable for Canada*

Model Number	Description	Order Code
XB16UL02460RYNNZ	STRB, RED LENS, 24VDC, 285CD, CL 1 DIV 2, BLK	PX869410
XB16US02460CYNRZ	STRB, CLEAR LENS, UL 1971, 24VDC, 285CD, CL 1 DIV 2, RD	PX29600042

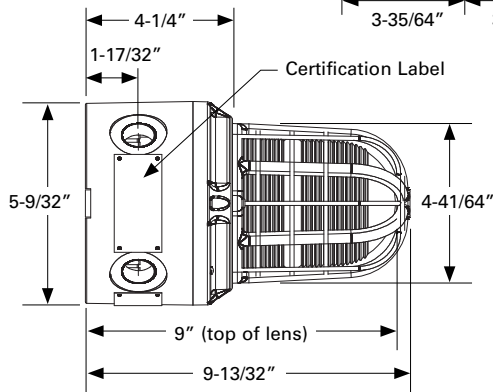
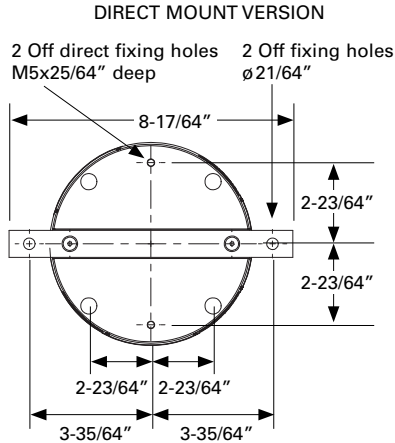
Additional configuration options available: Body & lens color, tag & duty labels, certification, lens guard, flash rate, voltages 24–48 VDC, 110–254 VAC.

See the XB16 product specification sheet or contact the Eaton Customer Service Team.

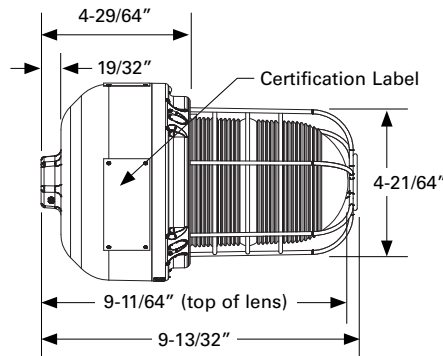
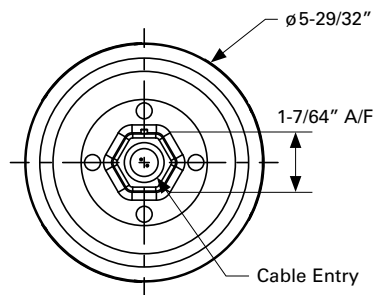
	DC		AC 50/60 Hz				
	24	48	110	120	220	240	254
Voltage							
XB16 Tube Energy (Joules)	10	10	10	10	10	10	10
Current (mA)	890	300	380	380	220	220	180
Effective candela (cd): 285 at 60 f.p.m.							
UL 1971 on axis output: 15 cd							

Lens Color	Multiplying factor for colored lenses
Red	0.15
Blue	0.12
Amber	0.51
Green	0.49
Yellow	0.86

**Strobes**



**POLE MOUNT VERSION**



**MEDC Series XB15 High Intensity Strobes**

**Available features and options:**

- NEMA 4x and 6, IP66 & 67
- 4-Wire monitored connection
- 330 Candela (AC); 382 candela (DC)

**Lens Color:** Red, Blue, Green, Yellow, Amber, Clear

**Voltage:** 24 VDC, 48 VDC, 110 VAC, 120 VAC, 230 VAC, 240 VAC, 254 VAC

**Certified Temperature:** -67°F to +158°F (-55°C to +70°C)

**Finish:** Red or Black

**Weight:** 5-3/4 lbs/2.6 kg Pipe Mount, 6-1/2 lbs/3.0 kg Direct Mount

**Material:** Corrosion-free GRP

**Approvals:**

- UL listed for US and Canada
  - Class I, Div 2, Groups A\*, B\*, C and D
  - Class II, Div 2, Groups F and G
  - Class I, Zone 1, AExd IIB and IIC\* T4/T5
- ULC Listed to Canadian safety standards
- Conforms to ULC regulated power supplies

*\* Not applicable for Canada*

Model Number	Joules	Description	Order Code
XB15UL0241506CWBNR	15	STRB. CLEAR LENS, 24VDC, 330CD, CLASS 1 DIV 2, RD	PX37600167
XB15UL0241506RWBNN	15	STRB, RED LENS, 24VDC, 330CD, CLASS 1 DIV 2, BLK	PX869398
XB15UL0241506RWPNN	15	STRB, RED LENS, PIPE MT, 24VDC, 330CD, CL 1 DIV 2, BLK	PX869396-ATOH

Additional configuration options available: Body & lens color, relay initiate, flash rate, voltages 24–48 VDC, 110–254 VAC.

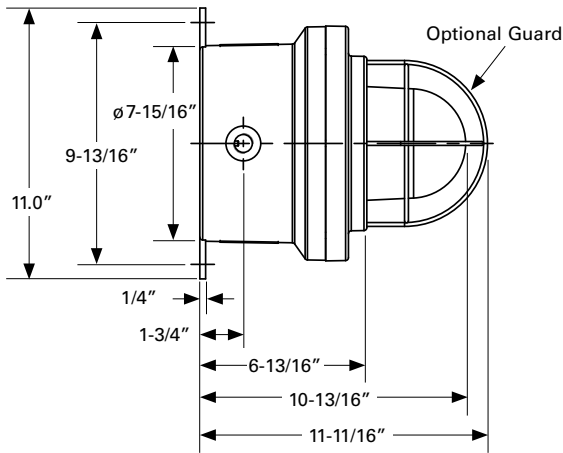
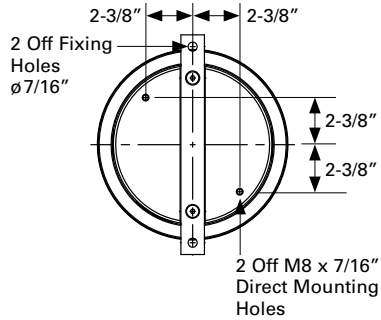
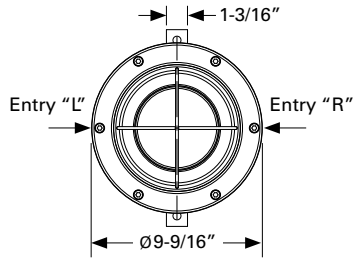
See the XB15 product specification sheet or contact the Eaton Customer Service Team.

	DC		AC 50/60 Hz					Lens Color	Multiplying factor for colored lenses
	24	48	110	120	220	240	254		
XB15 Tube Energy (Joules)	15	15	15	15	15	15	15	Red	0.12
Effective Intensity	382	330	330	330	330	330	330	Blue	0.11
								Amber	0.29
								Green	0.22
								Yellow	0.74

**Note:** Data is based on 15 joules.



Strobes



**MEDC Series XB12 Strobes**

**Available features and options:**

- NEMA 4x and 6, IP66 & 67
- 4-Wire monitored connection

**Lens Color:** Red, Blue, Green, Yellow, Amber, Clear

**Voltage:** 24 VDC, 110–240 VAC

**Certified Temperature:** –67°F to +158°F (–55°C to +70°C)

**Weight:** 15.5 lb (7.0 kg)

**Entries:** Up to 2–1/2" NPT

**Material:** Corrosion-free GRP

**Approvals:**

- UL listed for US and Canada
  - Class I, Div 2, Groups C and D
  - Class I, Zones 1 and 2, AExd IIB T4/T5

Model Number	Description	Order Code
XB12UL02406CNBNNNR	STRB, CLEAR LENS, 24VDC, 255CD, CLASS 1 DIV 2, RD	PX22600456

Additional configuration options available: Body & lens color, tag & duty labels, lens guard, flash rate, certification, mounting method voltages 24 VDC, 110–240 VAC.

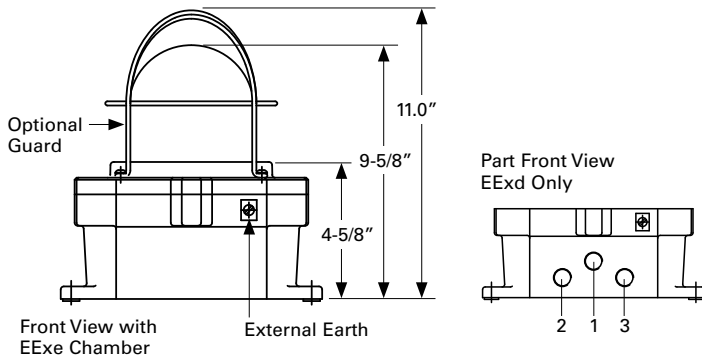
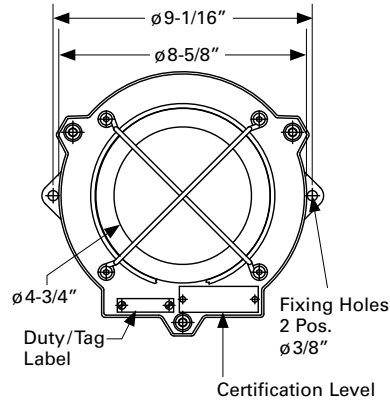
See the XB12 product specification sheet or contact the Eaton Customer Service Team.

	DC	AC 50/60 Hz	
Voltage	24	110	240
XB12 Tube Energy (Joules)	21	21	21
Peak Current Consumption (mA)	1400	350	185
Effective Intensity	355	355	355

Lens Color	Multiplying factor for colored lenses
Red	0.15
Blue	0.12
Amber	0.51
Green	0.49
Yellow	0.86

**Note:** The cd figures are for a clear lens @ 1Hz flash rate.

**Strobes**



**MEDC Series XB4 Strobes**

**Available features and options:**

- NEMA 4x and 6, IP66 & 67
- 4-Wire monitored connection

**Lens Color:** Red, Blue, Green, Yellow, Amber, Clear

**Voltage:** 24VDC, 110 VAC, 240 VAC

**Certified Temperature:** -67°F to +158°F (-55°C to +70°C)

**Finish:** Red

**Weight:** LM25: 14.5 lb (6.6 kg); Stainless Steel: add 18.5 lb (8.5 kg)

**Entries:** Up to 3 x 1/2" or 3/4" NPT

**Material:** Alloy or Stainless Steel

**Approvals:**

- UL listed for US and Canada
  - Class I, Div 1, Groups C and D
  - Class I, Zone 1, AExd IIB T4

Model Number	Description	Order Code
XB4ULB8D2E3E06ANCN1R	STRB, CLEAR LENS, 24VDC, 355CD, CL 1 DIV 1, RD	PX18800386
XB4ULB8D2E3E06ANRN1R	STRB, RED LENS, 24VDC, 355CD, CL 1 DIV 1, RD	PX869121

Additional configuration options available: Body & lens color, tag & duty labels, lens guard, flash rate, certification, voltages 24 VDC, 110 VAC, 240 VAC.

See the XB4 product specification sheet or contact the Eaton Customer Service Team.

	DC	AC 50/60 Hz	
Voltage	24	110	240
XB4 Tube Energy (Joules)	21	21	21
Peak Current Consumption (mA)	1400	350	185
Effective Intensity	355	355	355

Lens Color	Multiplying factor for colored lenses
Red	0.15
Blue	0.12
Amber	0.51
Green	0.49
Yellow	0.86

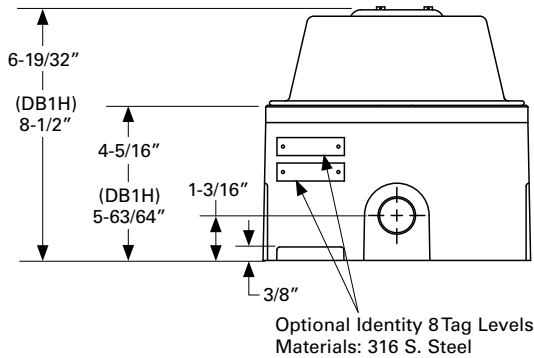
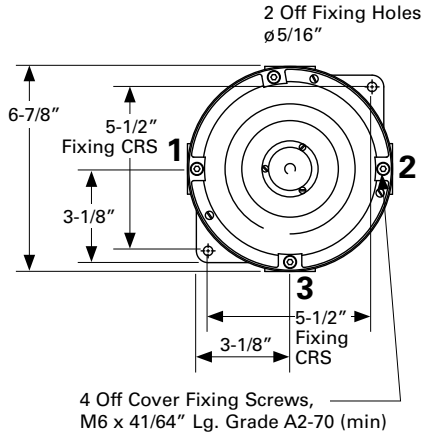
**Note:** The cd figures are for a clear lens @ 1Hz flash rate.



## Explosion-Proof and Hazardous Area Horns, Speakers & Combination Units

Eaton features a variety of horns, speakers and combination horn strobes and speaker strobes designed to cope with the harsh environmental conditions found offshore and onshore in the oil, gas and petrochemical industries.

Horns



**MEDC Series DB1 Horns**

**Available features and options:**

- Flameproof horns
- NEMA 4x and IP66
- 4-Wire monitored connection
- 27 Output tones, user selectable

**Finish Color:** Red (Gray and special also available)

**Voltage:** 12 VDC, 24 VDC, 48 VDC, 110 VDC

**Certified Temperature:** -13°F to +158°F (-25°C to +70°C)

**Weight:** DB1P 7.7 lb (3.5 kg); DB1HP 12.3 lb (5.6 kg)

**Material:** LM25 corrosion resistant alloy with stainless steel cover screws. ABS flare.

**Approvals:**

- UL listed for US and Canada
  - Class I, Div 2, Groups C and D
- NFPA 72 Compliant

Model Number	Description	Order Code
DB1HPULA024D1D2NNNR	MULTITONE, 24VDC, 100dBA, CL 1 DIV 1, RD	PX869115
DB1PULA024D1D2NNNR	MULTITONE, 24VDC, 93dBA, CL 1 DIV 1, RD	PX869111

Additional configuration options available: Body Color, tag & duty labels, certification, voltages 12, 24, 48 VDC, 110 VAC.

See the DB1 product specification sheet or contact the Eaton Customer Service Team.

**Current Consumption**

Model	Voltage			
	12V	24V	48V	110V
DB1P	125mA	250mA	250mA	60mA
DB1HP	900mA	700mA	—	200mA

Max Sound Levels: DB1(P) = 93 ± 3dB(A) (86 ± 3dB(A) for 12V DB1).

DB1H(P) = 100 ± 3dB(A) @ 10 feet.

**Note:** Sound level is dependent upon the tone selection.

Labels: Duty and Tag labels optional

Entries: Up to 3 x 1/2" or 3/4" NPT

Terminals: Suitable to accept up to 12AWG conductor size

**Tone Selection: 27 Tones**

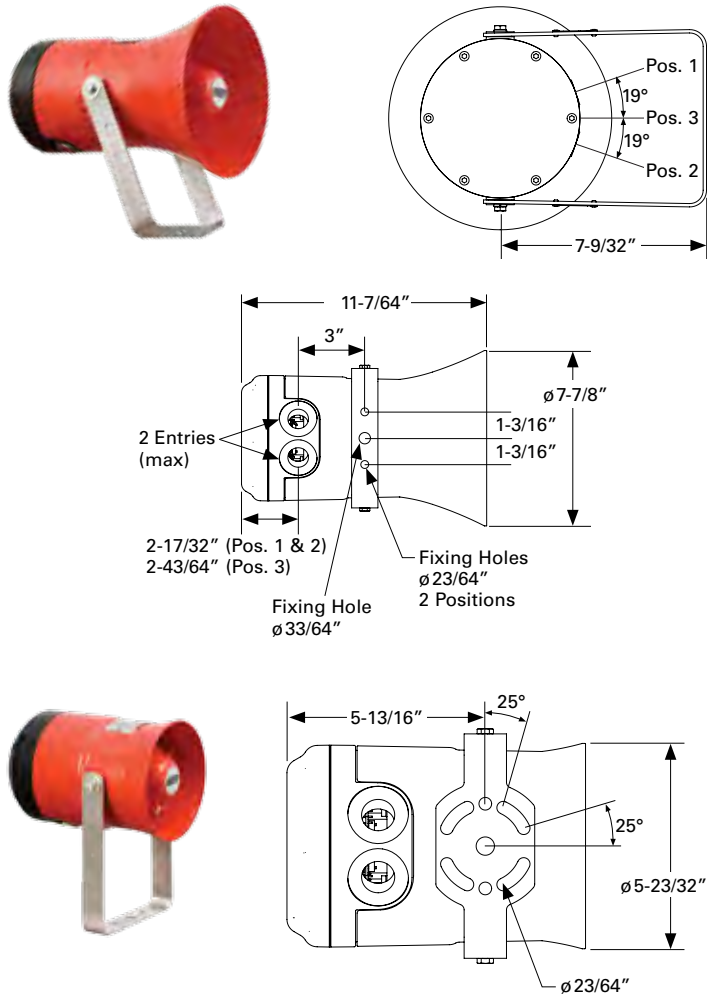
1	Alt Tones 800/970 Hz at 1/4 sec.	15	554 Hz for 0.1S/440 Hz for 0.1S
2	Sweeping 800/970 Hz at 7 Hz	16	Int 660 Hz 150 mS on 150 mS off
3	Sweeping 800/970 Hz at 1 Hz	17	Int 660 Hz 1.8 sec. on 1.8 sec. off
4	Continuous at 2850 Hz	18	Int 660 Hz 6.5 sec. on 13 sec. off
5	Sweeping 2400–2850 Hz at 7 Hz	19	Continuous 660 Hz
6	Sweeping 2400–2850 Hz at 1 Hz	20	Alt 554/440 Hz at 1 Hz
7	Slow Whoop	21	Int 660 Hz at 7/8 Hz
8	Sweep 1200–500 Hz at 1 Hz	22	Int 2850 Hz 150 mS on 100 mS off
9	Alt Tones 2400/2850 Hz at 2 Hz	23	Sweep 800–970 Hz at 50 Hz
10	Int Tones of 970 Hz at 1 Hz	24	Sweep 2400–2850 Hz at 50 Hz
11	Alt Tones 800/970 Hz at 7/8 Hz	25	3x970 Hz pulses 0.5 off, 1.5 off
12	Int Tone at 2850 Hz at 1 Hz	26	3x2850z pulses 0.5 on/0.5 off, 1.5 off
13	970 Hz at 1/4 sec. on 1 sec. off	27	Int 3100 Hz 0.3 sec. on 0.7 sec. off
14	Continuous at 970 Hz		







Horns



**MEDC Series DB3B Horns**

**Available features and options:**

- Glass Reinforced Polyester (GRP) with high-impact thermoplastic polyester
- NEMA 4x & 6, IP66 & 67
- Integral volume control
- Up to 115 dB output @ 10 ft
- 28 Tones, user selectable

**Finish:** Natural Black, Red, Special Finish

**Mounting:** Stainless steel bracket and cover screws

**Voltage:** 12–48 VDC, up to 254 VAC

**Certified Temperature:** –67°F to +158°F(–55°C to +70°C)

**Entries:** Up to 2 x 1/2" NPT

**Weight:** 10 lb (4.6 kg)

**Approvals:**

- UL listed for US and Canada
  - Class I, Div 2, Groups A–D
  - Class I, Zone 1, Ex d IIC
  - Class II, Div 2, Groups F and G
  - Zone 21, AEx tb IIIC
  - Class III, Div 1

Model Number	Description	Order Code
DB3BULG048N2CPNR	MULTITONE, 48VDC, 115dB, CL 1 DIV 2, RD	PX41900061
DB3BULG120N2CPNR	MULTITONE, 110VAC, 115dB, CL 1 DIV 2, RD	PX41900103

Additional configuration options available: Body Color, tag & duty labels, end of line resistor, certification, voltages 12–48 VDC, up to 254 VAC. See the DB3B product specification sheet or contact the Eaton Customer Service Team.

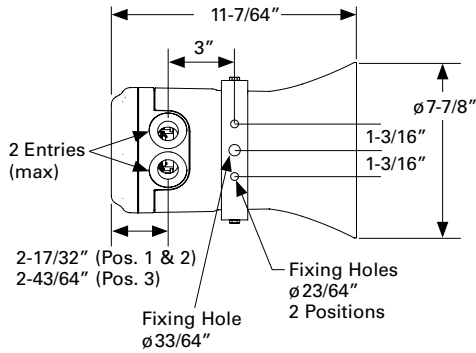
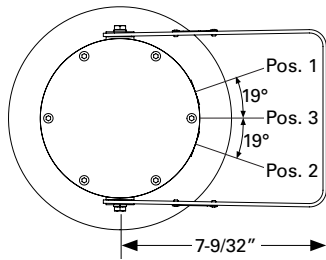
**Max Sound Levels**

Flare Type	Maximum output (dB) 1400 Hz @ 10 ft.
Short GD	106dB
Long GD	112dB
Short G	109dB
Long G	115dB

**Current Consumptions**

Voltage	IIC unit	IIIC unit
12 VDC	700 mA	716 mA
24 VDC	329 mA	339 mA
48 VDC	171 mA	173 mA
110 VAC	115 mA	122 mA
120 VAC	106 mA	113 mA
220 VAC	59 mA	63 mA
230 VAC	52 mA	55 mA
240 VAC	55 mA	58 mA
254 VAC	59 mA	63 mA

Speakers



**MEDC Series DB4B Speakers**

**Available features and options:**

- Corrosion-resistant GRP
- NEMA 4x and 6, IP66 & 67
- 117 dB at 25 watts @ 10 ft
- 8, 15, and 25 Watt versions
- Power tapings, via integral transformer

**Color:** Red

**Mounting:** Bracket with ratchet facility

**Power:** 8 watts, 15 watts, 25 watts

**Certified Temperature:** -67°F to +158°F (-55°C to +70°C)

**Entries:** Up to 2 x 1/2" NPT

**Weight:** 11 lbs (5.0 kg)

**Approvals:**

- UL listed for US and Canada
  - Class I, Div 2, Groups A–D
  - Class I, Zone 1
  - Class II, Div 2, Groups F and G
  - Zone 21, AEx tb IIIC
  - Class III, Div 1

Model Number	Description	Order Code
DB4BULG1570N2CPCR	SPKR, 70 VRMS, 15W TRANSFORMER, CL 1,DIV 2, RD, 1.5 µF cap	PX39900057
DB4BULG2570N2CPCR	SPKR, 70 VRMS, 25W TRANSFORMER, CL 1 DIV 2, RD, 1.5 µF cap	PX39900058

Additional configuration options available: Body Color, tag & duty labels, transformer, certification, power 25W, 15W, 8W.

See the DB4B product specification sheet or contact the Eaton Customer Service Team.

**Note:** For fire system applications, a transformer and 1.5µF capacitor is required on all DB4B products and should be noted on your order.

Transformer Trappings	Power		
	25W*	15W*	8W*
1:2	25.0	15.0	8.0
2:3	12.5	7.5	4.0
3:4	6.0	5.0	2.0
1:3	4.0	4.0	1.5
2:4	2.0	2.0	0.7
1:4	1.0	0.8	0.4

\* Include blocking capacitor for DC supervision of field wiring.

**Transformer Options:**

- Loop in/Loop out: (4 x 2) terminal tap change (8 terminals)
- Optional Tapping: 4 terminal tap change with 2 terminals (5 & 6) directly connected to driver (8 ohms).

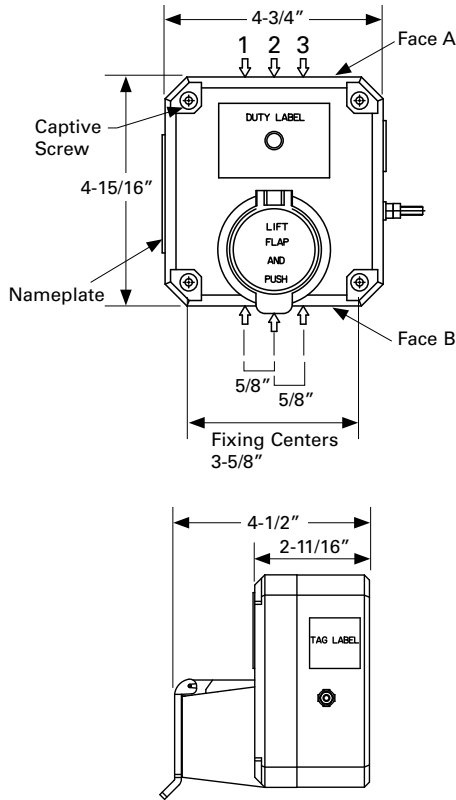
Frequency Range: 400Hz to 8kHz



## Explosion-Proof & Hazardous Location Call Points, Bells & Relay

Eaton offers a broad range of Explosion-Proof and Hazardous Location products, including Call Points designed for activation of fire alarm panels, Bells listed for service in Division One applications, and a Telephone Relay for activation of various appliances.

Call Points



**MEDC Series PB Call Points**

**Available features and options:**

- Manual Alarm Call Points designed for hazardous locations
- NEMA 4x & 6, IP66
- In-line and end-of-line resistors fitted
- Optional LED to indicate operation
- Glass Reinforced Polyester (GRP)

**Color:** Red

**Certified Temperature:** -67°F to +158°F (-55°C to +70°C)

**Weight:** 15.5 lb (7.0 kg)

**Entries:** Up to 4 entries 1/2" NPT

**Weight:** 2.6 lb (1.2 kg) varies with model & entries

**Approvals:**

- UL listed
  - Class I, Div 2, Groups A–D
  - Class II, Div 2, Groups F and G
- CSA

Model Number	Description	Order Code
PBUL4C6C4DSN7R	PUSH BUTTON, CL 1 DIV 2, FIRE LABEL, RD	PX28000043

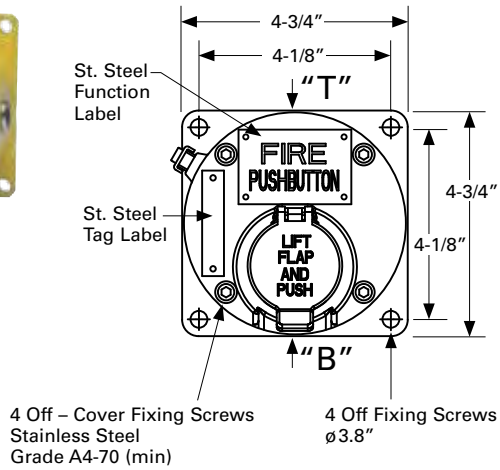
Additional configuration options available: Body color, LED, series & EOL resistors, diode, earth continuity (not UL), turn & push, self reset, tag & duty labels.

See the product specification sheet or contact the Eaton Customer Service Team.

Terminals: Will accept up to 14AWG cable

Material: Corrosion-free GRP

**Call Points**



**MEDC Series SM87PBL Call Points**

**Available features and options:**

- Call Point designed for arduous environmental conditions
- Easy to install and maintain
- NEMA 4x and 6, IP66 & 67

**Color:** Red, Black, Blue, Yellow, Grey, Yellow/Black Stripes

**Certified Temperature:** -13°F to 131°F (-11°C to 55°F)

**Entries:** Up to 4 entries 1/2" or 3/4" NPT

**Weight:** 5.5 lb (2.5 kg) varies with model & entries

**Approvals:**

- UL listed
  - Class I, Div 1, Groups C and D
  - Class I, Zone 1
- CSA

Model Number	Description	Order Code
SM87PBLAUL3T3B3NNR	PUSH BUTTON, CL 1 DIV 1, FIRE LABEL, RD	PX36200102

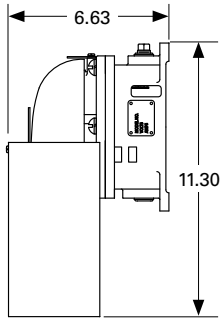
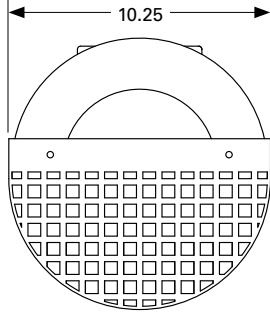
Additional configuration options available: Body color, LED, series & EOL resistors, diode, earth continuity (not UL), turn & push, self reset, tag & duty labels.

See the product specification sheet or contact the Eaton Customer Service Team.

- Terminals: Will accept up to 14AWG cable
- Material: LM25 TF Marine Grade Alloy
- Resistors: 470R minimum
- Switch Rating: 2 amp, 2 pole c/o, wired to terminals



**Explosion-Proof Bells**



**Series CVX/CSX Explosion-Proof Bells**

**Available features and options:**

- Available in single stroke and vibrating models
- Available in 24 VDC and 115 VAC versions
- High sound output with large 10" bell shell
- Outdoor models include protective hood and guard

**Finish Color:** Red or Gray

**Sell Size:** 10"

**Input Voltage:** 24 VDC or 115 VAC

**dBA @ 10 Feet:** 90 (Vibrating Models); 87 (Single Stroke Models)

**Applications:** Indoor or outdoor for atmospheres that contain explosive elements

**Approvals:** UL, CSFM, MEA

**Vibrating Bell Models**

Model Number	Finish	Order Code
<b>Indoor</b>		
CVX10-115-R	Red	3742
CVX10-115-S	Gray	0132
<b>Outdoor</b>		
CVG10-115-R	Red	4930
CVG10-115-S	Gray	0134

**Input Current – Vibrating Models**

115 VAC	dBA @ 10 ft.
0.220	90

**Input Current – Single Stroke Models**

16–33 VDC	115 VAC	dBA @ 10 ft.
0.500	0.125	87

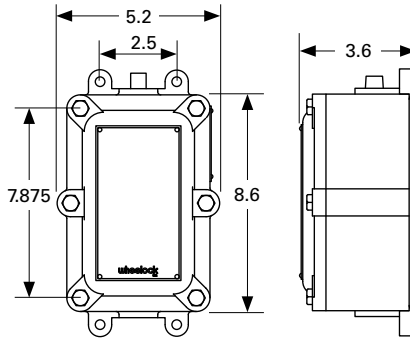
**Single Stroke Models**

Model Number	Finish	Order Code
<b>Indoor</b>		
CSX10-115-R	Red	4715
CSX10-115-S	Gray	0166
CSX10-24-R	Red	3582
CSX10-24-S	Gray	0164
<b>Outdoor</b>		
CSXG10-115-R	Red	4929
CSXG10-115-S	Gray	0167
CSXG10-24-R	Red	3402
CSXG10-24-S	Gray	0196

Class	Group	Contents of Hazardous Atmosphere
I	B	Hydrogen, or gases and vapors of equivalent hazard such as manufactured gas
I	C	Ethyl and ether vapors
II	D	Gasoline, petroleum, naphtha, alcohol, acetone, benzene, lacquer solvent, vapors, natural gas
II	F	Carbon black, coal, coke dust
II	G	Flour, starch, grain dusts

Mounting Options: All models include integral cast backbox for surface mounting with 1/2" threaded conduit entrances on top and bottom of housing.

Relay



**Series XRT Explosion-Proof Relay**

**Available features and options:**

- Telephone relays for activation of various appliances
- Explosion Proof
- Accepts RJ-11 phone plug
- AC/DC Relay

**Approvals:** UL Listed, FCC registered, CSA

**Telephone Relay**

Model Number	Order Code
XRT-T-40	0221

Model	Input Voltage	AC Contact Ratings		DC Contact Ratings	
		115 volts	230 volts	115 volts	REN
XRT-T-40	39–150 V, 20–30 Hz	5 Amps, 60Hz	230 Amps, 60 Hz	500mA	0.6A



# Industrial Signals

- Strobes
- Multitones & Multitone Strobes
- Bells
- Horns

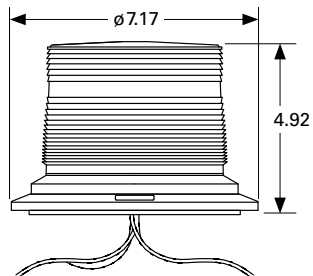


# Industrial Strobes

- MAX Strobes
- WH Remote Strobes



Strobes



**Series MAX Strobes**

**Available features and options:**

- Designed for high-intensity, weather-resistant visible warning
- Powerful double flash light burst
- 60 Double flashes per minute
- Durable, high-impact Lexan, construction

**Strobe Colors:** Amber, Blue, Clear and Red

**Mounting:** 1/2" pipe, surface mount, flange mount, standard 4" square

**Steady Light Lamps:** 120 mA (AC Models); 655 mA (DC Models)

**Approvals:** UL Standard 1638 for indoor and outdoor use

Model Number	Finish	Order Code
<b>120 VAC</b>		
<b>Double Flash</b>		
AC-MAX-A	Amber	8120
AC-MAX-B	Blue	8121
AC-MAX-C	Clear	8122
AC-MAX-R	Red	8124
<b>Double Flash w/ two 7 watt lamps</b>		
AC-MAXS-A	Amber	8125
AC-MAXS-B	Blue	8126
AC-MAXS-C	Clear	8127
AC-MAXS-R	Red	8129
<b>10.5 - 31.0 VDC Double Flash</b>		
DC-MAX-A	Amber	8130
DC-MAX-B	Blue	8131
DC-MAX-C	Clear	8132
DC-MAX-R	Red	8134
<b>Double Flash w/ two 7 watt lamps</b>		
DC-MAXS-A	Amber	8135
DC-MAXS-B	Blue	8136
DC-MAXS-C	Clear	8137
DC-MAXS-R	Red	8139

**AC-MAX and AC-MAXS**

Color	Effective Candela (cd)	Current Draw
Amber	80cd	0.20 @ 120 VAC
Blue	12cd	
Clear	100cd	
Red	20cd	
Steady Light Lamps		120 mA

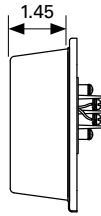
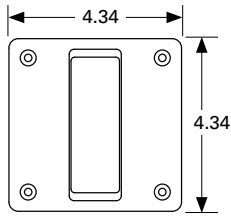
**DC-MAX and DC-MAXS**

Color	Effective Candela (cd)	Current Draw
Amber	80cd	1227 mA @ 10.5 VDC
Blue	12cd	1010 mA @ 12 VDC
Clear	100cd	470 mA @ 24 VDC
Red	20cd	344 mA @ 31 VDC
Steady Light Lamps		655 mA
	DC Inrush	5A Max @ 12 V 10A Max @ 24 V 12A Max @ 31 V

**Note:** Reference pages 58-65 for additional mounting information.



**Remote Strobes**



**Series WH Remote Strobes**

**Available features and options:**

- Deliver high intensity flash
- Used to provide visual alerts for personnel or visitors in the workplace

**Finish Color:** Beige

**Mounting:** Wall

**Voltage:** 115 VAC

**Strobe Candela:** 15

**Mounting Options:** B (WH1T), K & N (WH3T)

Model Number	Finish	Order Code
<b>115 VAC</b>		
WH1T-115-NS	Beige	3515
WH3T-115-NS	Beige	3563

Mounting Options: B (WH1T); K, N (WH3T)

Voltage	Strobe Candela	Current Draw
115 VAC	15	0.06

**Note:** Reference pages 58-65 for additional mounting information.



## Industrial Multitones & Multitone Strobes

- MIN-T Multitone Horn Strobes
- MT Multitones and Multitone Strobes
- AMT Multitones and Multitone Strobes

---

**Multitone Horn Strobes**
**Series MIN-T Multitone Horn Strobes**

Available features and options:

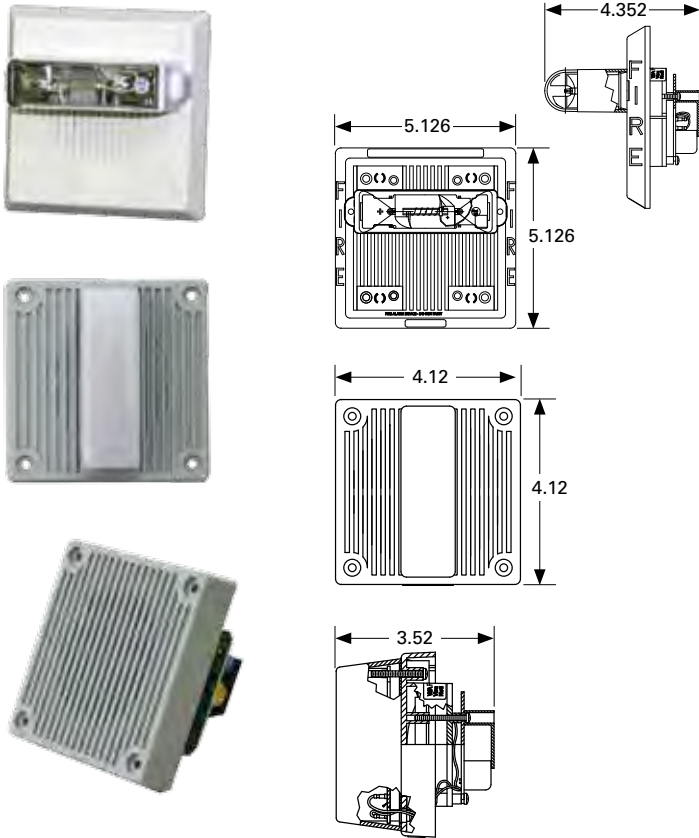
- Tamper contacts
- Low current draw
- Audible 7 to 56 mA
- Audible/Strobe 100 to 393 mA
- Up to 113 dB output
- Horn & Horn Strobe Models
- 32 Tones, dip switch selectable
- 2 Prioritized inputs for tones
- 9 to 60 VDC
- -13°F to 158°F (-25°C ~ +70°C)
- NEMA 4 (IP 66)
- 23AWG ~ 14AWG
- 1 Hz flash rate, 40,000 candle power strobe

**Color:** Gray

Strobe available in amber

<b>Model Number</b>	<b>Order Code</b>	<b>Description</b>
MIN-TA	9068	Audible Strobe, 32 tones, 9-60 VDC, Tamper, Amber Lens, Grey

## Multitones and Multitone Strobes



### Wall Mount Multitone Strobes

Model Number	Finish/Ltr	Order Code
<b>15/30/75/110cd</b> MT-24MCW-NW	White, No Ltr	3305
<b>1575cd</b> MT-121575W-NW	White, No Ltr	9747
<b>15cd</b> MT4-115-WH-VNS	Silver, No Ltr	

Mounting Options: D, E, F, J, L, M, N, O, P, R (MT) D, E, J, K, N, O, R (MT4)

### Wall or Ceiling Mount Multitones

Model Number	Finish	Order Code
MT-12/24-W	White	5024
MT4-12/24-S	Silver	
MT4-115-S	Silver	

Mounting Options: D, E, F, J, L, M, N, O, P, R (MT) D, E, J, K, N, O, R (MT4)

### UL Max. Strobe Current

16-33 VDC					8-17.5 VDC
15cd	30cd	75cd	110cd	15/75cd	15/75cd
0.060	0.092	0.165	0.220	0.090	0.255

## Series MT Multitones and Multitone Strobes

### Available features and options:

- Superior sound penetration for various ambient and room conditions
- 8 Alerting sounds
- 2 Selectable sound outputs

**Finish Color:** Red or White

**Mounting:** Wall

**Voltage:** 12 or 24 VDC, 120 VAC

**Strobe Candela:** 1575

**Approvals:** UL, MEA, CSFM, FM, ULC, BFP

### UL Max. Current

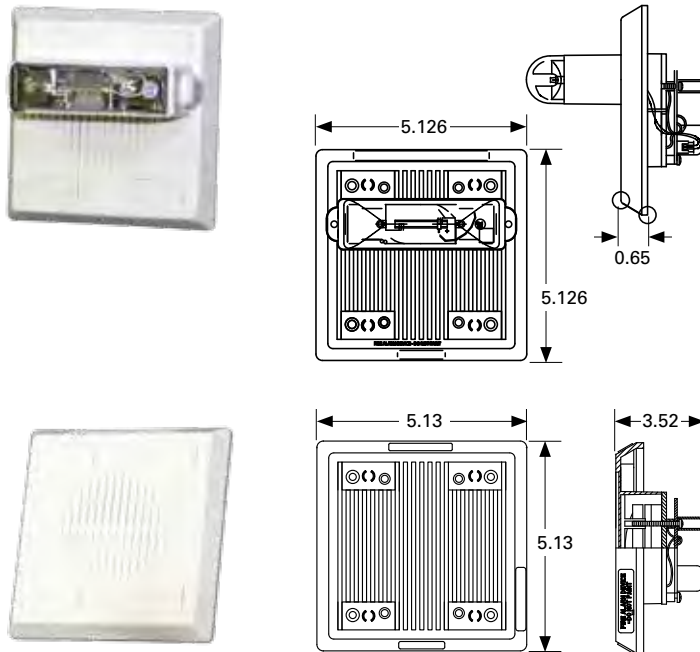
	16-33 VDC		8-17.5 VDC		120 VAC	
	HI Out	STD Out	HI Out	STD Out	HI Out	STD Out
Horn	0.108	0.044	0.177	0.034	0.050	0.042
Bell	0.053	0.024	0.095	0.020	0.041	0.039
March Time Horn	0.104	0.087	0.142	0.034	0.050	0.040
Code-3 Horn	0.091	0.035	0.142	0.034	0.050	0.042
Code-3 Tone	0.075	0.035	0.105	0.021	0.042	0.040
Slow Whoop	0.098	0.037	0.142	0.035	0.050	0.042
Siren	0.104	0.036	0.152	0.030	0.045	0.041
Hi/Lo	0.057	0.025	0.114	0.026	0.042	0.039

### dBA

	dBA @ 10 ft. (UL Reverberant)		dBA @ 10 ft. (anechoic)		dBA @ 10 ft. (UL Reverberant)			
	16-33 VDC	8-17.5 VDC	8-17.5 and 16-33 VDC	120 VAC	HI Out	STD Out		
Horn	92	87	92	87	99	93	88	82
Bell	86	80	86	80	92	87	82	75
March Time Horn	89	84	89	84	99	93	85	79
Code-3 Horn	88	83	88	83	99	93	85	75
Code-3 Tone	85	80	85	80	95	90	79	75
Slow Whoop	90	85	90	85	99	94	88	82
Siren	89	84	89	84	98	93	85	82
Hi/Lo	86	81	86	81	93	88	82	79

**Note:** Reference pages 58-65 for additional mounting information.

**Multitones and Multitone Strobes**



**Series AMT Multitones and Multitone Strobes**

Available features and options:

- Ideal for 4 wire designs
- 8 Selectable alerting sounds
- Ideal for combination fire and burglary

**Finish Color:** Red or White

**Mounting:** Wall

**Voltage:** 24 VDC

**Strobe Candela:** 15/30/75/110cd

**Approvals:** UL, MEA, CSFM, FM, BFP, ULC

**Wall Mount Multitone Strobes**

Model Number	Finish/Ltr	Order Code
<b>15/30/75/110cd</b>		
AMT-24MCW-FW	White	3302
AMT-24MCW-NW	White, No LTR	5587

**Wall or Ceiling Mount Multitones**

Model Number	Finish	Order Code
AMT-12/24-W	White	5893

Mounting Options: D, E, F, L, M, O, P, R

**UL Max. Strobe Current**

<b>16-33 VDC</b>			
15cd	30cd	75cd	110cd
0.060	0.092	0.165	0.220

**UL Max. Current**

	<b>16-33 VDC</b>		<b>8-17.5 VDC</b>	
	<b>HI Out</b>	<b>STD Out</b>	<b>HI Out</b>	<b>STD Out</b>
Horn	0.108	0.043	0.210	0.058
Bell	0.057	0.026	0.117	0.031
March Time Horn	0.108	0.035	0.210	0.059
Code-3 Horn	0.108	0.043	0.210	0.057
Code-3 Tone	0.060	0.030	0.168	0.052
Slow Whoop	0.112	0.044	0.182	0.056
Siren	0.102	0.038	0.177	0.055
Hi/Lo	0.064	0.030	0.131	0.028
Vibrating Chime	0.041	0.020	0.090	0.028

**Note:** Reference pages 58-65 for additional mounting information.

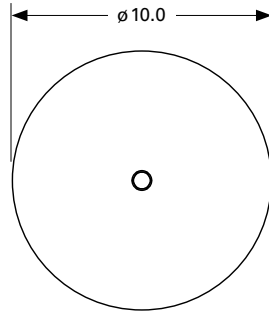
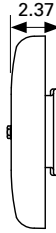
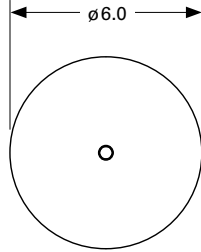




## Bells

- 43T Vibrating Bells
- MB Motor Bells
- CVX/CSX Explosion-Proof Bells

**Vibrating Bells**



**Series 43T Vibrating Bells**

**Available features and options:**

- Aluminum bell housing
- Screw terminal connections
- Solenoid
- Low power consumption
- Semi-flush mounting to standard 4" square backboxes or surface mounting to Wheelock's surface backboxes

**Finish Color:** Gray or Red

**Mounting:** Wall

**Sell Size:** 6" and 10"

**dBa @ 10 Feet:** 85

**Approvals:** UL, MEA, CSFM, FM, BFP, ULC

Model Number	Finish	Order Code
<b>6" Bells</b>		
43T-G6-24-R	Red	1627
43T-G6-24-S	Gray	1626
43T-G6-115-R	Red	1631
43T-G6-115-S	Gray	1630
<b>10" Bells</b>		
43T-G10-24-R	Red	1647
43T-G10-24-S	Gray	3800
43T-G10-115-R	Red	1651
43T-G10-115-S	Gray	3693

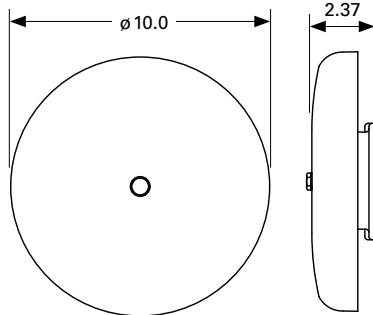
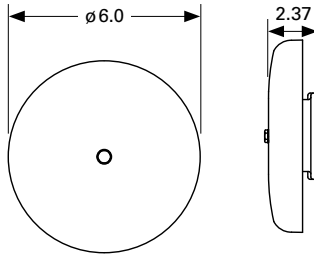
Mounting Options: D, E, J, K, R, S, Z

**Input Current**

16-33 VDC	115VAC	dBa @ 10 ft.
0.666	0.117	85

**Note:** Reference pages 58-65 for additional mounting information.

**Motor Bells**



**Series MB Motor Bells**

**Available features and options:**

- Aluminum bell housing
- Screw terminal connections
- Motor driven
- Low power consumption
- Semi-flush mounting to standard 4" square backboxes or surface mounting to Wheelock's surface backboxes

**Finish Color:** Gray or Red

**Mounting:** Wall

**Sell Size:** 6" and 10"

**dBA @ 10 Feet:** 92

**Approvals:** UL, MEA, CSFM, FM, BFP, ULC

Model Number	Finish	Order Code
<b>6" Bells</b>		
MB-G6-12-R	Red	3942
MB-G6-12-S	Gray	4221
MB-G6-24-R	Red	3941
MB-G6-24-S	Gray	4222
<b>10" Bells</b>		
MB-G10-12-R	Red	3944
MB-G10-12-S	Gray	4223
MB-G10-24-R	Red	3943
MB-G10-24-S	Gray	4224

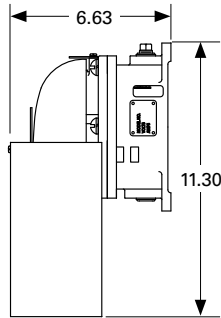
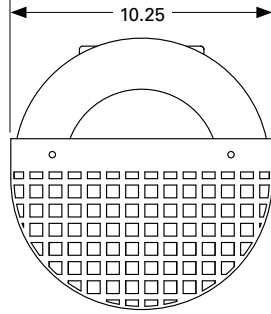
Mounting Options: D, E, J, K, R, S, Z

**UL Max. Current**

16-33 VDC	8-17.5 VDC	dBA @ 10 ft.
0.040	0.090	92

**Note:** Reference pages 58-65 for additional mounting information.

**Explosion-Proof Bells**



**Series CVX/CSX Explosion-Proof Bells**

**Available features and options:**

- Available in single stroke and vibrating models
- Available in 24 VDC and 115 VAC versions
- High sound output with large 10" bell shell
- Outdoor models include protective hood and guard

**Finish Color:** Red or Gray

**Sell Size:** 10"

**Input Voltage:** 24 VDC or 115 VAC

**dBA @ 10 Feet:** 90 (Vibrating Models); 87 (Single Stroke Models)

**Applications:** Indoor or outdoor for atmospheres that contain explosive elements

**Approvals:** UL, CSFM, MEA

**Vibrating Bell Models**

Model Number	Finish	Order Code
<b>Indoor</b>		
CVX10-115-R	Red	3742
CVX10-115-S	Gray	0132
<b>Outdoor</b>		
CVG10-115-R	Red	4930
CVG10-115-S	Gray	0134

**Single Stroke Models**

Model Number	Finish	Order Code
<b>Indoor</b>		
CSX10-115-R	Red	4715
CSX10-115-S	Gray	0166
CSX10-24-R	Red	3582
CSX10-24-S	Gray	0164
<b>Outdoor</b>		
CSXG10-115-R	Red	4929
CSXG10-115-S	Gray	0167
CSXG10-24-R	Red	3402
CSXG10-24-S	Gray	0196

**Input Current – Vibrating Models**

115 VAC	dBA @ 10 ft.
0.220	90

**Input Current – Single Stroke Models**

16-33 VDC	115 VAC	dBA @ 10 ft.
0.500	0.125	87

Class	Group	Contents of Hazardous Atmosphere
I	B	Hydrogen, or gases and vapors of equivalent hazard such as manufactured gas
I	C	Ethyl and ether vapors
II	D	Gasoline, petroleum, naphtha, alcohol, acetone, benzene, lacquer solvent, vapors, natural gas
II	F	Carbon black, coal, coke dust
II	G	Flour, starch, grain dusts

Mounting Options: All models include integral cast backbox for surface mounting with 1/2" threaded conduit entrances on top and bottom of housing.

**Note:** Reference pages 58-65 for additional mounting information.



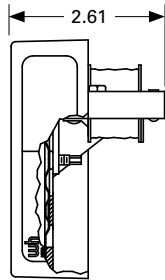
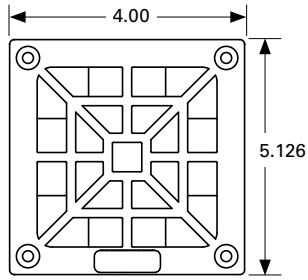


# Industrial Horns

- 31T Electronic Horns
- MTH-24 Horns



**Electronic Horns**



**Series 31T Electronic Horns**

**Available features and options:**

- High-performance mechanical horn
- Ideal for life safety applications
- Low current draw

**Finish Color:** Red or Gray

**Mounting:** Wall

**dBA Rating:** 95

**Voltage:** 115 VAC

**Approvals:** UL

Model Number	Finish	Order Code
31T-115-R	Red	2805
31T-115-S	Gray	0521

Mounting Options: D, E, J, K, N, O, R

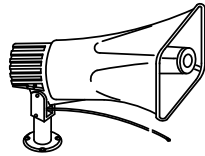
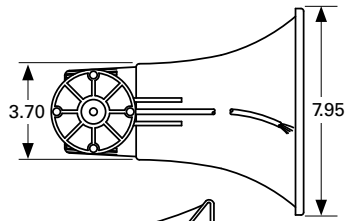
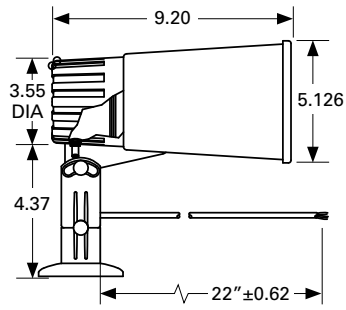
**UL Max. Current**

115 VAC	dBA @ 10 ft.
0.160	95

**Note:** Reference pages 58-65 for additional mounting information.

# Horns

## Horn



## Series MTH-24 Horn

### Available features and options:

- Loud, weather resistant
- Ideal for noisy or large locations

**Finish Color:** Red or Gray

**Mounting:** Wall

**dB A Rating:** 95

**Voltage:** 115 VAC

**Approvals:** UL

Model Number	Finish	Order Code
MTH-24	Beige	3801

### UL Max. Current

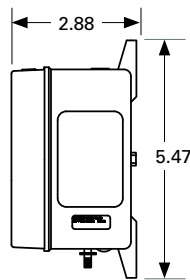
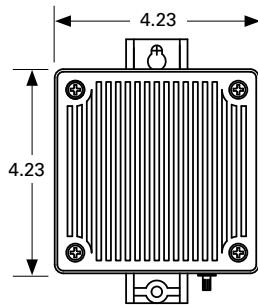
Current @ 24 VDC	dB A @ 10 ft.
600mA	117

**Note:** Reference pages 58-65 for additional mounting information.



# Telephone Signaling & Commercial Audio

Telephone Alerts



Series **UTA** Universal Telephone Alerts

Available features and options:

- Loud attention getting electronic ringers
- Designed for use in noisy locations or for wide area coverage
- Operates off the telephone ringer voltage
- Low current draw and REN
- Tamper resistant volume control
- Dip switch selectable

**Color:** Gray

**Four selectable sound patterns:** Horn, Bell, Vibrating Chime, Single Chime

High output 109 dB piezo speaker

**Approvals:** UL Standard 1950, CSA, IC, DOC  
Multiple voltage activation

Model Number	Color	Order Code	Power Requirements
UTA-1	Gray	6338	24 VDC, 24 VAC, 48 VDC, 90 VRMS/20-30Hz
<b>w/ Strobe</b> UTA-WH-VPS	Gray	6348	115 VAC power for strobe and piezo operation telephone ring trigger for activation via 24 VDC, 24 VAC, 48 VDC, 90 VRMS/20-30Hz

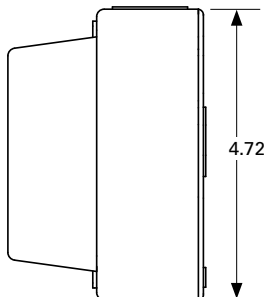
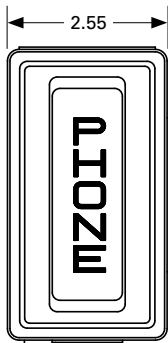
Tone Volume Range and Description

	UTA-1	UTA-WH	Description
Horn	73–108 dB	82–109 dB	Broadband Horn
Bell	61–102 dB	76–104 dB	1560 Hz Modulated (0.07 Sec. ON/Repeat)
Vibrating Chime	57–100 dB	68–94 dB	700 Hz (1.0 Sec. Decay/Repeat)
Single Chime	57–97 dB	68–94 dB	700 Hz (1.0 Sec. Decay)

Model Number	Tones	dB @ 3 feet (1 meter)				Ring Voltage Current Draw mA REN			
		48 VDC	24 VDC	24 VAC	90 VRMS 20 Hz	48 VDC	24 VDC	24 VAC	90 VRMS 20 Hz
UTA-1	Horn	107	108	105	104	26	30	46	1.6
	Bell	100	100	102	100	10	9	35	1.4
	Vibrating Chime	94	96	99	97	7	6	29	1.25
	Single Chime	94	96	100	96	6	6	34	1.25
UTA-WH-VPS	Horn	109	109	109	109	3	2.5	4	0.5
	Bell	104	104	104	104	3	2.5	4	0.5
	Vibrating Chime	94	94	94	94	3	2.5	4	0.5
	Single Chime	94	94	94	94	3	2.5	4	0.5
Voltage Range:						36–60	20–30	20–30	40–130

**Note:** Reference pages 58-65 for additional mounting information.

**Telestrobes**



**Series PS Telestrobes**

**Available features and options:**

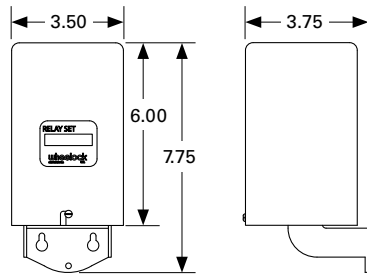
- PS Telestrobes emit a high intensity flashing light when the telephone rings
- Designed for alerting the hearing impaired
- For use in high ambient noise environments, quiet hospital zones, libraries and broadcast studios
- Single line phones
- RJ-11C modular plug-in connection
- Long life, low power consumption
- Easily mounts to interior surfaces

**Approvals:** UL Standard 1459, CSA

Model Number	Color	Order Code	Nominal Input Voltage (Strobe)	Input Voltage Limits	REN	Current Draw	Peak Candlepower
<b>Single Analog Phone Line</b>							
PS-15A-WPW	Gray	3413	90 VAC	50–130 V, 20–30 hZ	1.50	.20A@90VAC	8,000
<b>Low Voltage</b>							
PS-33A-WPA	Gray	3209	24VDC	18–30 VAC or VDC	N/A		25,000



Telephone Relays



Series **CRT** Telephone Relays

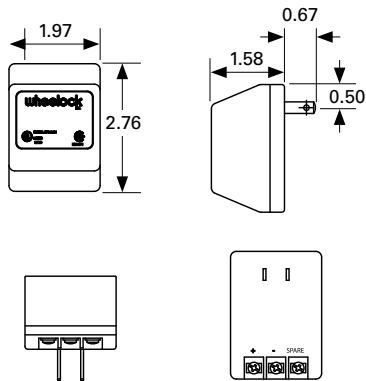
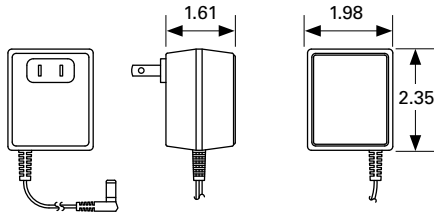
Available features and options:

- Wheelock telephone relays activate various appliances when a telephone ring voltage is detected
- Two models are available to accommodate different voltage requirements, environments and applications
- Indoor, outdoor
- Explosion proof (XRT-T-40)
- UL Listed, FCC registered, CSA
- Accepts RJ-11 phone plug
- AC/DC Relay

Model Number	Order Code
<b>Weatherproof AC/DC</b> CRT-T-40	0049

Model Number	Input Voltage	AC Contact Ratings		DC Contact Ratings	REN
		115 volts	230 volts	115 volts	
CRT-T-40	39–150 V, 20–30 Hz	5 Amps, 60Hz	230 Amps, 60 Hz	500mA	0.6A

**Power Supplies**



**Series EPS/RPS Power Supplies**

**Available features and options:**

**EPS 1205**

- 12 VDC, 500 mA, filtered, plugs into an AC outlet
- Includes DC output cord with polarized plug

**EPS-2401**

- 24 VDC, 100 mA, filtered, plugs into an AC outlet
- Powers 24 VDC alert signals and tone generators

**RPS-2406**

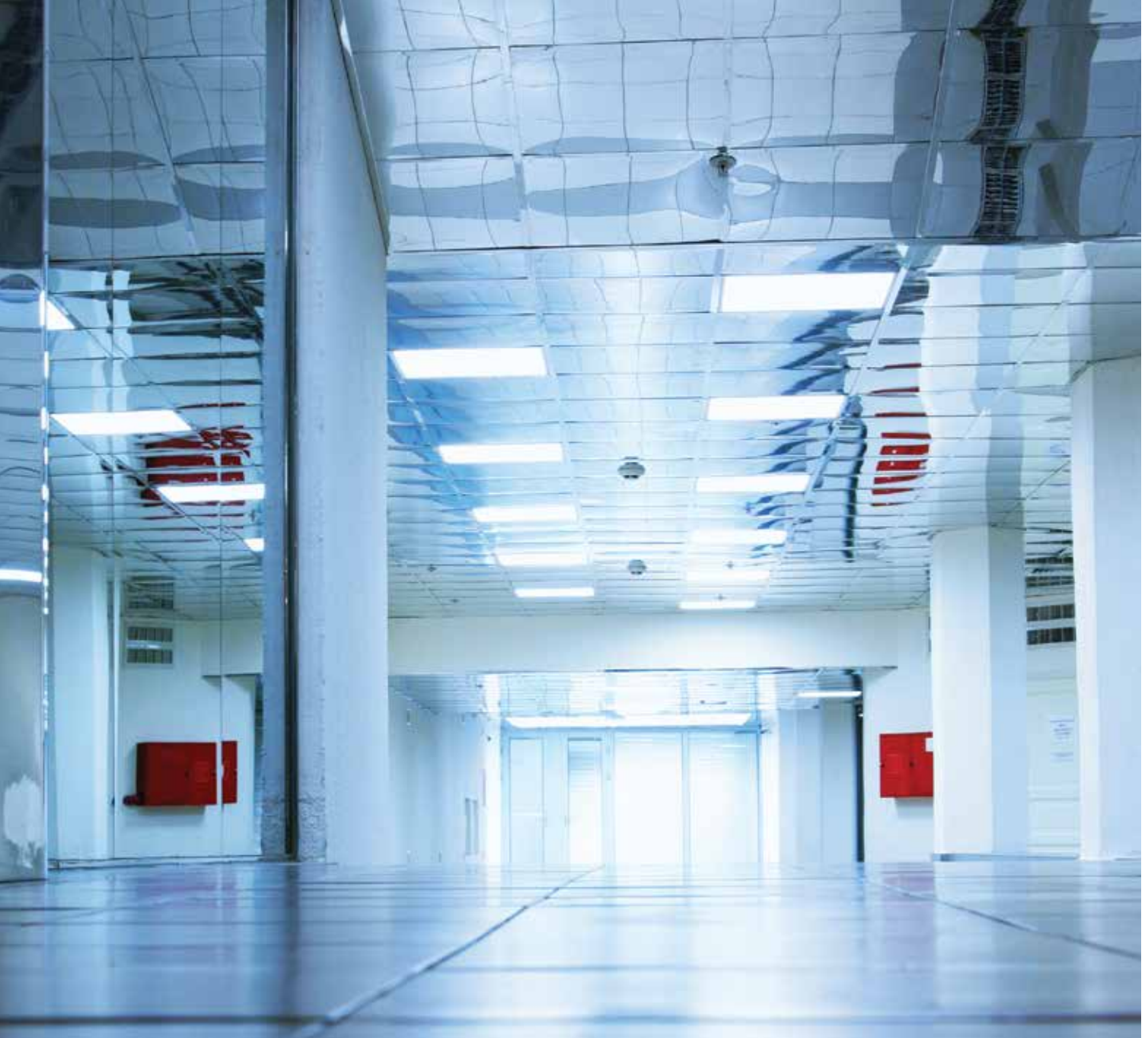
- 24 VDC, 600 mA, wall mounted with 6 ft. AC power cord
- Current limited, short circuit and overload protected with auto shutdown and reset

**RPS-2440-A**

- Either two 2 amp or one 4 amp
- Fully regulated and filtered
- Each output with independent power on LED
- Current limited overload and short circuit protection
- Auto shutdown and reset, AC circuit breaker for input protection

Model Number	Order Code	Output Current	Ripple and Noise
<b>12 VDC</b>			
EPS-1205	4892	500mA	2.5 V (Peak to Peak)
<b>24VDC</b>			
EPS-2401	3545	100mA	10mVRMS

Model Number	Order Code	Output Current	Ripple and Noise	Regulation
<b>12 VDC</b>				
RPS-2406	3770	600mA	10mVRMS	+/- 5%
<b>24VDC</b>				
RPS-2440-A	4839	4 Amps	10mVRMS	+/- 5%

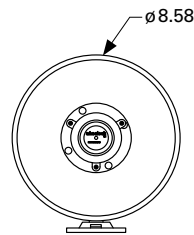
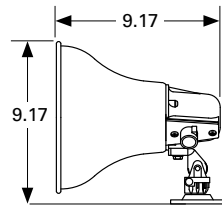
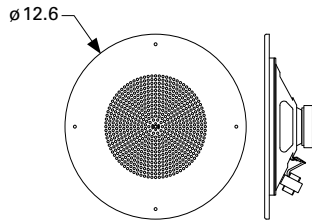


## Paging Speakers, Horns, Volume Controls

Paging speakers and horns for clear, audible output of voice paging, background music, and tone alerting.

Volume controls for setting the loudness of speakers in individual rooms or areas.

**Paging Speakers & Horns**



**Series ST Paging Speakers and Horns**

**Available features and options:**

- Provides clear, audible output for voice paging, background music and tone alerting.

**Speaker Size:** 8" or 10"

**Mounting:** Flush or surface mount

**Grilles:** Metal or plastic

**Color:** White, beige

Model Number	Color	Order Code
<b>8", flush mount</b>		
ST-C8	White	4114
ST-C8M (metal)	White	8474
<b>8", flush mount, recessed volume control</b>		
ST-C8V	White	4871
ST-C8MV (metal)	White	8475
<b>8" D, 15 Watt</b>		
STH-15-B	Beige	5147
<b>10", 30 Watt</b>		
STH-30	Beige	5148

	dBa @ 1 meter	Frequency Response
8"	86	80 Hz–14,000Hz

Sound output measured at 1W @ 2KHz for ST-B4, ST-C8, ST-C8V, ST-C8MV.

	dBa @ 1 meter	Frequency Response
15 Watt	122	275 Hz–10,000 KHz
30 Watt	125	275 Hz–10,000 KHz

Full rated power for STH15-B and STH30.

**STH-30 Wattage Selector Switch Positions**

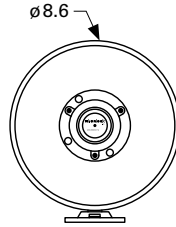
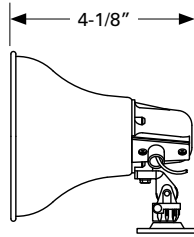
	1	2	3	4	5	6	7
25V	0.3	0.5	0.9	1.9	3.8	6.9	13.9
70V	2.0	3.8	7.5	15.0	30.0	–	–
100V	4.0	7.5	15.0	30.0	–	–	–

**STH-15B Wattage Selector Switch Positions**

	1	2	3	4	5	6	7
25V	–	–	0.48	0.94	1.8	7.5	15.0
70V	1.0	2.0	3.8	7.5	15.0	–	–
100V	2.0	4	7.5	15.0	–	–	–

# Paging Horns

## Horns



## Series SA Self-Amplified Paging Horns

### Available features and options:

- Universal, fully adjustable mounting base with banding slots for beams and pillars
- Conduit interface adapter with clear plastic shield
- Weatherproof

**Mounting:** Surface

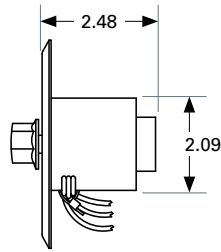
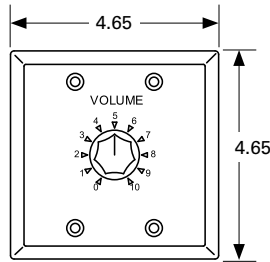
Model Number	Color	Order Code
<b>8", 5 Watt</b>		
SA-H5-B	Beige	5145
<b>8", 15 Watt</b>		
SA-H15-B	Beige	5146

	dBA @ 1 meter	Frequency Response	Power Output @ 1000 Hz/ Nominal Current
5 Watt	114	275 Hz–14,000 Hz	5 watts/325 mA
15 Watt	117	275 Hz–14,000 Hz	15 watts/1.4 Amps 7.5 watts/900mA

SA Series speakers have barrier, clamp-type screw terminals, impedance: 600 Ohms/operating voltage: 18-28 VDC. Sound output (dBA @ 1 meter) measured at rated power output at 100 Hz.



**Volume Controls**



**Series VC Volume Controls**

**Available features and options:**

- Volume Control
- 25V or 70V
- Auto-transformer design
- Stainless steel wall plate

Rotary switch that attenuates in 3dB stops to a completely off position

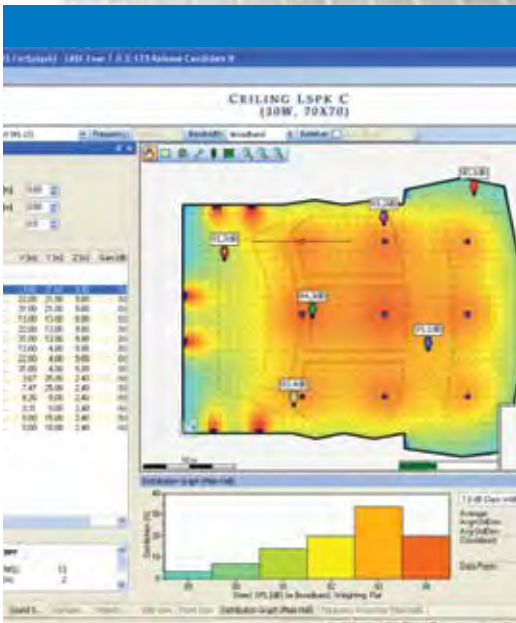
<b>Model Number</b>	<b>Order Code</b>
<b>Double Gang 35 Watts</b>	
VC-35	5160

<b>Frequency Response</b>	<b>Insertion Loss</b>
Better than 17 kHz	Less than 0.5dB



## Eaton is pleased to offer speaker data files for EASE and EASE Evac software programs. The GLL files include data on our full product line from indoor Hi-Fidelity Speakers to outdoor High-Power Speaker Arrays.

- Import of image files, Google Sketchup, AutoCAD DXF as well as EASE models as a basis for the entry of room geometry by mouse or in a table.
- Auto-arrange function for fast layout of ceiling-mounted sound systems.
- Insertion and modification of individual ceiling- and wall-mounted sound sources.
- Top view, side, and front view for easy loudspeaker placement and intuitive investigation of sound distribution in the vertical plane.
- Mapping of Direct SPL (Z or A-Weighted), Total SPL (Z or A-Weighted), S/N Ratio.
- Room acoustic calculations based on definition of reverberation time or assignment of acoustic materials to surfaces according to Eyring & Sabine.
- Mapping of speech intelligibility as STI (IEC 60268-16), CIS, ALCons.
- Analysis in 1/3rd octave, 1/1 octave, 3/1 octave bandwidth or broadband, frequency range from 100 Hz to 10 kHz.
- Relative mapping function and distribution graph for statistical analysis of coverage.
- Frequency response plots for multiple receiver locations, relative or absolute display.
- Section plan for user-defined mappings in the vertical plane.
- Printable report document including all results and drawing details.
- Export of drawings in AutoCAD DXF, Google Sketchup, EASE formats or as image file.
- Calculation engine based on EASE 4.3 industry standard for electro- and room-acoustic modeling.
- Expandable database of common noise levels, surface materials, 3D objects and sound sources.
- Supports multiple rooms within one project.
- Display and data entry in metric units or US units.
- User-defined colors and window layout.



### To import speaker data files:

Visit <http://www.eaton.com/massnotification/software> and scroll to Wheelock and WAVES Files – EASE and EASE Evac Software.

Available exclusively from AMFG

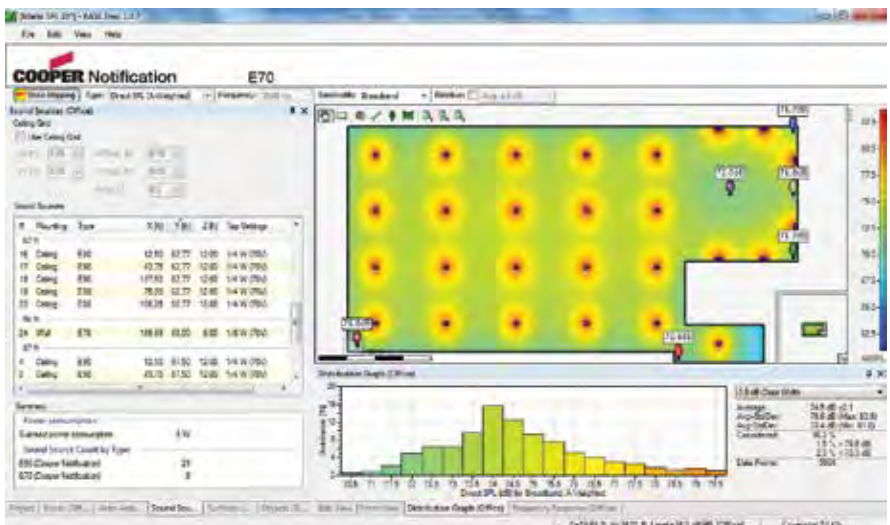
To order EASE Evac software or register for a trial version, visit: <http://evac.afmg.eu/>

For technical support on EASE Evac:

Email: [support-us@afmg.eu](mailto:support-us@afmg.eu)  
Hotline: 855-411-2364

Eaton is not endorsing, supporting or selling AFMG's EASE Evac voice evacuation software. We are pleased to offer speaker data files for EASE Evac to help integrators and installers design for intelligibility. Eaton makes no representations whatsoever with regard to the quality or function of AFMG's EASE Evac software.

EASE and AFMG are registered trademarks of AFMG Technologies GmbH.





# Voice Evacuation/ Mass Notification

Providing advanced technological voice evacuation/emergency communications systems, for delivering real-time information to people in a building or outdoor areas.

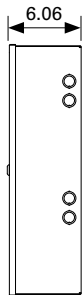
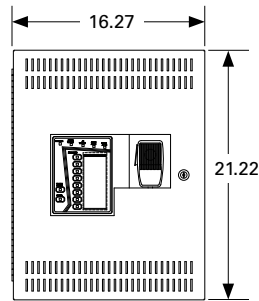
- Indoor Communications System & Accessories
- In-Building Mass Notification Systems
- Wide-Area High-Power Speaker Arrays





## Indoor Communications System & Accessories

The SAFEPATH voice evacuation system (SP40S) and accessories provide supervised in-building emergency communications. The multi-use system can function as an evacuation system, emergency messaging system, paging system, employee notification system and a background music system.

**Voice Evacuation System****Series SAFEPATH SP40S Voice Evacuation System****Available features and options:**

- Multi-Function Supervised Paging, Messaging, Background Music Delivery and Emergency Voice Evacuation System
- 24 VDC battery backup
- On-board digital voice messaging system with 8 standard messages
- Hand-held microphone and power supply/battery charger
- Expandable to 5280 watts
- Contact closure message activation
- 40 Watts supervised audio power
- Compatible with all Wheelock power supplies, speakers, strobes, clusters, and high power speaker arrays

**Approvals:** UL, CSMF, MEA

Model Number	Order Code	Description
SP40S	9929	Single channel system with 40 watts of supervised audio power and 2 amps of supervised 24 VDC synchronized strobe power and 8 standard messages. (Batteries not included, 2 required.) Red Enclosure.
SP40S-B	9935	Same as above but with black enclosure
SP40S-D	9781	Single channel system with 40 watts of supervised audio power and 2 amps of supervised 24 VDC synchronized strobe power and 8 standard messages. (Batteries not included, 2 required.) Red Enclosure. Includes 10-minute message time-out feature.
SP40S-D-B	9854	Same as SP40S-D but with black enclosure
BAT-1212	7390	12 volt, 12-ampere hour battery
AM-SP40S-SMK	9937	SP40S After Market 8 Message Standard Message Kit
AM-SP40S-PMK	9938	SP40S After Market 8 Message Programmed Message Kit
AM-SP40S-NBT	9939	SP40S After Market Narrow Band Signal Tone Kit
SP-COA	9908	C.O. Port Adapter for the SP40S Recommended 24 VDC Power Supply is Wheelock RPS-2406 (Order Code 3770)

**Audio/Technical Specifications**

Switch mode, Class D amplifier (40 Watts)	
Speaker Outputs	25V or 70.7V power limited
Frequency Response	Voice: 275 Hz–6.5 kHz BGM: 100 Hz–15 kHz Meets UL Voice Evacuation Requirements of 800–2800 Hz
Signal to Noise Ratio	Better than 65 dB
Dynamic Range	Better than 65 dB
Total Harmonic Distortion	Less than 2%
Stand by Current Draw	130 mA
Alarm Current Draw	4.7 amps



**Microphone & Expansion Module**



**Series SAFEPATH Remote Microphone and Expansion Module**

**Available features and options:**

SPRM

- Remote Microphone for use with the SAFEPATH Facility Communications System SP40S or SP4-RMX.
- Can be mounted up to 2,000 feet away from the SP40S

SP4-RMX

- Remote Microphone Expansion Module expands one microphone from the SP40S or up to 3 remote microphones
- Provides for an auxiliary input for connection of an external VoiceLink message repeater for additional messages

Model Number	Order Code	Description
SPRM	8996	Remote Microphone for use with the SP40S, SP40/2, SPB-320, SPB-160, SPB-80/4 or SP4-RMX; red plate
SPRM-GP	9927	General Paging Microphone for use with the SPB-320, SPB-160, or SPB-80/4; black plate

- The SP4-RMX will provide the capability of connecting up to (3) three Remote Microphone Stations (SPRM)
- When connected to the SP40S or SP40/2, two SP4-RMX units can be cascaded together to provide up to six remote microphones
- Can accept a line level input coupled with a contact closure for broadcasting of other information
- OSHA 1910.165, ADA and UFC compliant

**Enclosure:**

Dimensions: 13”H x 7.6”W x 2.15”D  
 Color: Black  
 Wall mountable

**Approvals:** UL

Model Number	Order Code	Description
SP4-RMX	9919	Remote Microphone Expansion Module

- Supervised hand-held push-to-talk microphone
- Key required to enable remote microphone use
- Wiring terminals for quick connect/disconnect accepting 12–22 AWG
- Individual front panel LED indication for System Normal, System Trouble and Alarm
- Remote microphone usage disengages background music and general paging
- 6-Wire connection to the SP40S, SP40/2 or SP4-RMX
- Mounting plate is red and measures 8-3/4” x 5-1/4”, fits into a 4-gang back box
- All output circuitry is Power Limited

**Input current:** Standby: 23mA, Alarm: 38mA

**Approvals:** UL, CSFM

## Speaker Audio Splitter



## Series SAFEPATH Speaker Audio Splitter

### Available features and options:

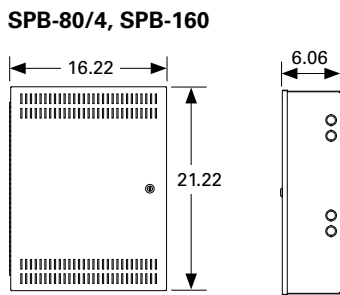
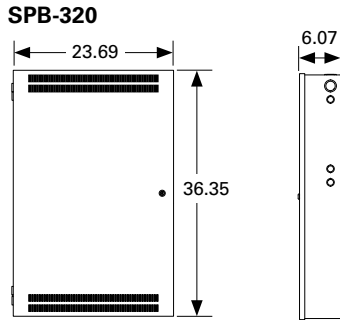
- Supervised 2-Zone Class A or 4-Zone Class B Speaker Audio Splitter for the SP40S or Audio Booster
- Enables a single supervised speaker audio output to drive up to two Class A supervised speaker audio outputs or four Class B supervised speaker audio outputs
- 2 Class A or 4 Class B
- Removable wiring terminals for quick connect/disconnect accepting 12–22 AWG
- LEDs Power and Trouble LEDs, Individual zone short and open LED indication
- Space provided to allow for naming of the zones
- Standby and Alarm current at 24VDC: 15mA

**Approvals:** UL, CSFM, MEA

Model Number	Order Code	Description
SP4Z-A/B	9900	Supervised 2-Zone Class A or 4-Zone Class B Speaker Audio Splitter for the SP40S, SP40/2 or Audio Boosters
SPMB4Z	9907	Mounting Bracket for the SP4Z-A/B is required when used with the Audio Boosters

**Note:** The Speaker Splitter-Mounting Bracket (SPMB4Z) is required when the Speaker Splitter is used in Audio Boosters. The SPMB4Z can support two splitters.

Audio Boosters



**Series SAFEPATH SPB Audio Boosters**

**Available features and options:**

- Designed to provide for additional supervised audio power for live voice, pre-recorded messages or background music (BGM)
- Fully supervised patent pending circuitry is always in effect
- The SPB-320, SPB-160 and the SPB-80/4 easily connects to the Wheelock SP40S
- Multiple SPB-320, SPB-160 and SPB-80/4 Audio Boosters can be interconnected to accommodate large installations

**Approvals:** UL Standard 864, 9th edition, and California State Fire Marshal (CSFM), New York City (MEA)

**Compliance:** OSHA 1910.165, ADA, UFC

**Input from SP40S:** 70V or 25V

**Input from SP4-RMX:** 1 Volt input from

80 watt Speaker output circuits (SPB-320 has four, SPB-160 has two and the SPB-80/4 has one and two 2-amp strobe circuits)

Audio Speaker Outputs: 70V or 25V

Model Number	Order Code	Description
SPB-320	9918	320 Watt Supervised (four 80 watt circuits)
SPB-320E	6336	320 Watt Supervised (four 80 watt circuits), 220 VAC input
SPB-320E-B	6353	320 Watt Supervised (four 80 watt circuits), 220 VAC input, black enclosure
SPB-160	8989	160 Watt Supervised (two 80 watt circuits), red enclosure
SPB-160-B	9930	160 Watt Supervised (two 80 watt circuits), black enclosure
SPB-160E	6149	160 Watt Supervised (two 80 watt circuits), 220 VAC input
SPB-160E-B	6150	160 Watt Supervised (two 80 watt circuits), 220 VAC input, black enclosure
SPB-80/4	8988	80 Watt Supervised with 4 Amps of Supervised and Synchronized Strobe Power (two 2 Amp circuits), red enclosure
SPB-80/4-B	9931	80 Watt Supervised with 4 Amps of Supervised and Synchronized Strobe Power (two 2 Amp circuits), black enclosure
SPB-80/4E	6147	80 Watt Supervised with 4 Amps of Supervised and Synchronized Strobe Power (two 2 Amp circuits), 220 VAC input
SPB-80/4E-B	6148	80 Watt Supervised with 4 Amps of Supervised and Synchronized Strobe Power (two 2 Amp circuits), 220 VAC input, black enclosure

**Technical Specifications**

120VAC, 3.8A, 60 Hz input	
SP40SE Models 240 VAC, 2.5A, 50-60 Hz	
Standby current draw	120mA, per amplifier board
Alarm current draw	9 Amps, per amplifier board
SPB-80/4 and SPB-160 have one amplifier board	
SPB-320 has two amplifier boards	
System Frequency Response	Voice: 400 Hz–6.5 kHz BGM: 275 Hz–15 kHz
Removable quick connect/disconnect terminals, accept 12–22 AWG	
Multiple LED's for easy indication of system diagnostic conditions	
Signal to Noise Ratio	> 70 dB
Dynamic Range	> 65 dB
Total Harmonic Distortion	2%

## Paging Splitter



### Series SAFEPATH Paging Splitter

#### Available features and options:

- Addressable speaker zone splitter
- Mounts inside the SP40S, SP40/2, SPB-80/4, SPB-160 or SPB-320
- Operates on 24 VDC, supplied by the SP40S, SP40/2, SPB-80/4, SPB-160, SPB-320
- Handles 40 watts of supervised audio per zone
- UL Standard 864, 9th edition listed

Model Number	Order Code	Description
SP4Z-APS	9920	Addressable Paging Splitter

**Note:** Reference pages 58-65 for additional mounting information.

**Telephone Zone Controller**



**Series SAFEPATH Telephone Zone Controller**

**Available features and options:**

- Designed for the ability to access individual or multiple speaker zones throughout the SP40S System via telephone
- Custom user programmable
- All call or selected zone(s) telephone paging
- Background music (BGM) zone(s) selectable
- Telephone input and background music (BGM) input

Model Number	Order Code	Description
SP4-TZC	9923	SP4-TZC Programming Cable

The combination of 1 SP4-TZC (controller) and up to 17 SP4-APS (splitters) can provide:

**Class B**

4 zones per splitter
Up to 68 individual zones (17 splitters)
17 fixed zones (groups of 4)
9 logical zones

**Class A**

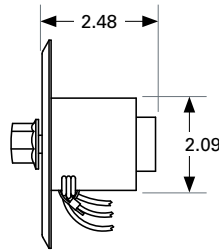
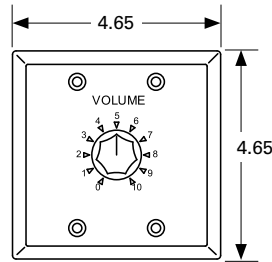
2 zones per splitter
Up to 34 individual zones (17 splitters)
17 fixed zones (groups of 2)
9 logical zones

**Enclosure:**

Dimensions: 13"H x 7.6"W x 2.15"D
Color: Black
Wall mountable
Requires 24 VDC, model RPS-2406
Allows selections of speaker zones via a telephone keypad (DTMF tones)
One SP4-TZC (controller) can control up to 17 SP4-APS (splitters)
Telephone page input connects to stand alone telephone, unused CO port, page port
USB connection for logical zone grouping and BGM programming (supports Windows 2000 and Windows XP)
Up to 9 logical zones, (a logical zone is a user selected group of up to 5 zones, individual or fixed)
RS-485 digital control to the SP4-APS speaker splitters
Connects to the SP40S 2 via the BGM input



**Volume Control**



**Series SAFEPATH Volume Control**

**Available features and options:**

- Allows manual volume setting for telephone paging and background music for a specific speaker or speaker zone
- Supervised volume control for use with UL Listed Life Safety Applications
- Operates in Class B or Class A wiring (for Class A, the SP4-APS is required)
- Mounts to a double gang, 3-1/2" deep back box or 4" square and 1-1/2" deep box with a 1-1/2" extension ring and a double gang mud ring
- Stainless steel mounting plate with a black knob

**Approvals:** UL Standard 864 and California State Fire Marshal (CSFM) listed for use with the SP40S, SP40/2 or SPB Audio Boosters

**Compliance:** OSHA 1910.165, ADA

Model Number	Order Code	Description
SP-SVC	9926	Supervised Volume Control for use with the SAFEPATH® system

Audio Power Input	Can handle up to 35 watts of 70.7 volt audio power input
Adjustment Settings	0–10, in 3dB increments
Wiring	Operates in Class B or Class A wiring (for Class A, the SP4-APS is required)
Back Box	Requires a double gang, 3-1/2" deep back box or 4" square and 1-1/2" deep box with a 1-1/2" extension ring
Maximum RMS Current	10.0mA

**Operating Console**



**Series SAFEPATH Local Operating Console**

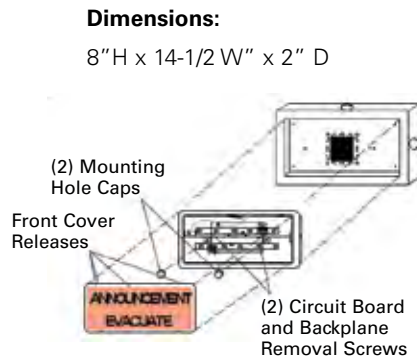
**Available features and options:**

- Designed for indoor use with the SAFEPATH panels for mass notification applications
- Contains SAFEPATH SPRM Remote Microphone and black push-on/push-off buttons.
- All message wiring is pre-wired to a terminal block
- Internal terminal block accepts up to 16 AWG wiring for field wiring
- All output circuitry is power limited
- SP4-LOC is available in flush and surface models
- Optional HVAC Emergency Shutoff mushroom push button kit
- Can be mounted up to 2,000 feet away from SAFEPATH panel
- Remote microphone usage disengages background music and general paging

<b>Model Number</b>	<b>Order Code</b>	<b>Description</b>
SP4-LOC-SB	4120	Surface Mount Local Operator Console
SP4-LOC-FB	4121	Flush Mount Local Operator Console
SP4-LOC-KIT	4122	HVAC Emergency Shutoff Switch Kit*

\*Currently not UL Listed

**Message Display**



**Series LEMD Message Display**

**Available features and options:**

- Illuminated text sign designed to comply with UFC requirements for mass notification systems, where a text sign is required over the door of egress stairwells or other locations.
- Two messages can be activated; Announcement or Evacuate
- Messages can be activated independently
- Message can be either steady on or flashing, set independently
- Compatible with reverse polarity supervision circuits
- Meets IP-65 rating, sealed against dust and protected from water splashes and low pressure water jets.
- Accepts #14 to #22 AWG wires
- UL Listed under Standard 48 and UFC Compliant 4-021-01 (LEMD-M model)

Model Number	Order Code	Description
LEMD-M	6334	LED Emergency Message Display

Voltage:	24 VDC
Current draw:	70 mA per circuit

Push Buttons



**Dimensions:**  
5" H x 3-1/4" W" x 1-1/2" D

**Series NPS Push Buttons**

**Available features and options:**

- For manual activation of SAFEPATH® Voice Evacuation Systems prerecorded messages
- Custom wording available
- Polycarbonate faceplate
- Stainless steel backplate
- ADA Compliant
- Mounts to single gang electrical box
- Interchangeable or replaceable Normally Open (NO) and Normally Closed (NC) Single Pole, Single Throw gold plated contact blocks rated for 3 amps @ 600 VAC or 1 amp @ 250 VDC
- Can be reset by depressing the "Push" button, and turning clockwise a 1/4 turn
- Comes with one (NO) contact and one (NC) contact

**Available Colors:** Red, Green, Yellow, White or Blue

Model Number	Order Code	Color	Description
NPS-R	9767	Red	
NPS-G	9768	Green	
NPS-Y	9769	Yellow	Push Station for manual message activation
NPS-W	9770	White	
NPS-B	9771	Blue	
NPS-NO	0523		Push Station Normally Open Contact
NPS-NC	0524		Push Station Normally Closed Contact

**Wording Matrix**

Wording	Model Suffix	Wording	Model Suffix
Land Attack	-001	Strobe	-024
Sea Attack	-002	Alert	-025
Colors	-003	Emergencia	-026
Low Threat	-004	Alarm Yellow	-027
Medium Threat	-005	Delta	-028
High Threat	-006	Alarm Red	-029
Small Craft	-007	Withdrawal	-030
Unknown Object	-008	Emergency	-031
Code Bravo	-009	Audio Test	-032
Low	-010	All Clear	-033
Medium	-011	Fire Test	-034
High	-012	Evac Drill	-035
Water Attack	-013	Weather	-036
Chemical Spill	-014	Chem-Bio	-037
Gas Release	-015	Suspicious	-038
Evacuation	-016	Fire	-039
Help	-017	All	-040
Assistance	-018	Bomb	-041
Severe Weather	-019	Test	-042
Tornado	-020	Area	-043
Medical Alert	-021	Bomb Threat	-044
Power Shut Down	-022	Terrorist Threat	-045
Blank / No Wording	-023	Toxic Chemical	-046
		Disaster	-047

Wording Matrix for the top of the Push Station

Any "wording suffix" can be printed on any color push station.

**Note:** Custom wording is available, please contact customer service.

Examples:

- 9767-003 NPS-R-003 Red Push Station, Colors
- 9771-010 NPS-B-010 Blue Push Station, Low



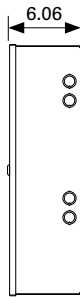
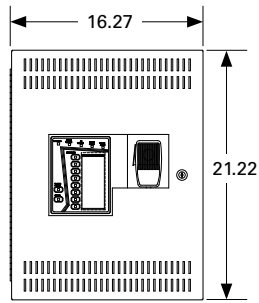
## SAFEPATH In-Building Mass Notification System

Delivering critical alerts when it matters most, Eaton's In-Building Mass Notification Systems provide personnel and building occupants with clear, concise and intelligible voice messages that communicate how people should respond during a variety of emergency situations.

Compliant with the Mass Notification System (MNS) codes and standards, UL 2572 and NFPA 72, Eaton's SAFEPATH MNS integrates with a facility's addressable fire alarm system (FAS) for a complete In-Building MNS solution that performs both fire alarm and emergency communications functions.



Multitone Horns and Horn Strobes



**Series SAFEPATH SPMNS In-Building Mass Notification System**

**Available features and options:**

- Compliant with the latest Mass Notification System (MNS) codes and standards, UL 2572 and NFPA 72
- Interfaces with ANY addressable Fire Alarm System (FAS)
- Makes FAS UL 2572 for MNS Compliant
- Manages all audible and visual notification devices for both fire and MNS
- Features a modular and flexible design to meet functional requirements of Emergency Response Plans (ERP) and MNS codes

**Model Number**

SPMNS

Voice Messages Live microphone override; 5 digitally pre-recorded MNS voice messages; 3 digitally pre-recorded fire voice messages; Flexible, field-programmable messaging capabilities

Power 24 VDC, 33AH Max rechargeable battery back-up power circuitry built-in

Speaker Outputs 25V or 70.7V power limited

Frequency Response Voice: 275 Hz–6.5 kHz; Meets UL Voice Evacuation Requirements of 800–2800 Hz

Finish Red exterior enclosure

Agency Approvals UL 2572 for MNS, UL Standard 864, 9th edition, UL Standard 1711

**Remote Microphone**



**Dimensions:**

8-3/4" x 5-1/4", fits into a 4-gang back box

**Series SAFEPATH SPMNS Remote Microphone**

**Available features and options:**

- Dedicated microphone for mass notification and emergency communications applications
- When used with the SAFEPATH MNS (SPMNS), the priority level of the SPMNS-MIC is 1, the SPMNS on-board fire microphone is a lower priority
- Approvals include: UL 2572 for MNS, UL Standard 864, 9th edition and California State Fire Marshal (CSFM), UFC 04-021-01 Compliant.
- Supervised hand held push to talk microphone
- Key required to enable microphone use
- Individual front panel LED indication for System Normal, System Trouble and Alarm

**Model Number**

SPMNS-MIC

Voice frequency response: 275 Hz - 6.5 kHz

Power 24VDC, supplied by the SPMNS or Audio Boosters

Input Current Standby: 23mA; Alarm: 30mA

Standby: 23mA; Alarm: 30mA 1.05V RMS

Mounting Plate Black and measures, 8-3/4" x 5-1/4", fits into a 4-gang back box

All Output Circuitry Power Limited

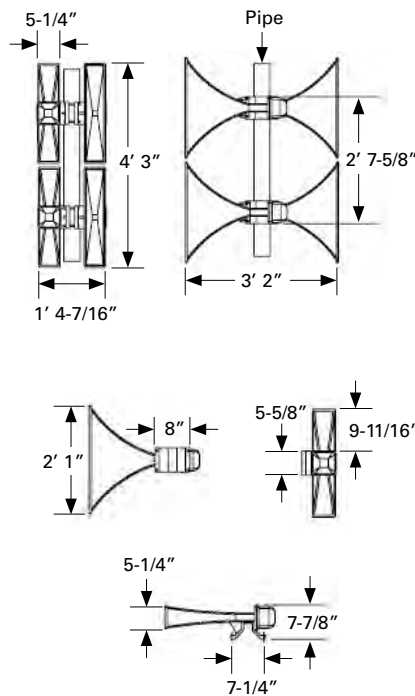
Approvals UL 2572 for MNS, UL Standard 864, 9th edition and California State Fire Marshal (CSFM)



## Wide-Area High-Power Speaker Arrays

Designed to meet Life Safety requirements, WAVES High-Power Speaker Arrays (HPSA-7100-R Series) provide crisp, intelligible voice, tone and siren warnings. The HPSA can be integrated with voice-capable FACPs, SAFEPATH, SAFEPATH MNS and other audio sources to expand emergency communications to large outdoor areas.

Speaker Arrays



Series HPSA High-Power Speaker Arrays

Available features and options:

- Integrated with a facility's audio source (panel agnostic)
- Highly intelligible live voice and tone announcements
- Energy- and cost-efficient advanced amplification system enables lower current draw and increased battery life, requiring fewer speakers and significantly less power for a substantially larger range (see specifications)
- Continuous emergency operation regardless of primary power outage
- Omnidirectional and directional speaker coverage options
- Intelligent battery charger maintains batteries at optimal charge state and supervises the batteries for multiple fault conditions
- Six discrete (Form C) trouble signals include: No AC, No Battery, Low Battery, Door Open (tamper), Amplifier Fault, Driver Fault
- Multiple HPSAs can be controlled by one source

Model Number	Number of Horns	Watts	dB (C) @ 100' (30 m) <sup>①</sup> 180°	Effective Range <sup>①</sup> : 180° Radius @ 70dB (C)	dB (C) @ 100' (30 m) <sup>①</sup> 360°	Effective Range <sup>①</sup> : 360° Radius @ 70dB (C)	Height	Horn & Driver Kit Weight
HPSA-7102-R	2	200	110	1600' (480 m)	105	1200' (366 m)	25" (63.5 cm)	52 lbs (23.6 kg)
HPSA-7104-R	4	400	115	2400' (732 m)	110	1600' (480 m)	51" (129.5 cm)	104 lbs (47.2 kg)
HPSA-7106-R	6	600	119	3040' (927 m)	114	2240' (683 m)	77" (195.6 cm)	156 lbs (70.8 kg)
HPSA-7108-R	8	800	123	4160' (1268 m)	118	2880' (878 m)	103" (261.6 cm)	208 lbs (94.4 kg)

Accessories:

- Pedestal/Stand Kit: M37-00056
- Mounting options include HRNMT-100 and HRNMT-250
- Optional microphone for set-up and testing: HPSA-MIC
- 500 ft speaker wire kit: CAB-SPKR-KIT
- HPSA-7100-V-KIT: Required for all 100V and 70V applications

<sup>①</sup> Field testing was performed in accordance with ANSI/ASA S12.14-1992, reaffirmed September 11, 2007. Actual SPL performance will depend on parameters such as site design, topography, climate and foliage.

## High-Power Speaker Arrays

Designed to meet the most stringent Life Safety requirements, Eaton's HPSA-7100-R Series provides highly intelligible voice and tone announcements for Wide-Area Mass Notification. The HPSA-7100-R Series can be integrated with voice-capable Fire Alarm Control Panels (FACP) and SAFEPATH Systems.

### External Interface

NAC input	PTT Activation. 9–40 VDC, 17 mA Max.
Dry contact input	PTT Activation (alternative to NAC Input). 250ms < 1 K Ohms.
Audio input	100 V <sub>RMS</sub> , 70.7 V <sub>RMS</sub> , 25 V <sub>RMS</sub> or 1 V <sub>RMS</sub> selectable (100 V <sub>RMS</sub> and 70.7 V <sub>RMS</sub> require model HPSA-7100-V-KIT, which is sold separately)
Trouble outputs	Form C, dry contact. 2 Amps., 30VDC (resistive). Max. Trouble Signals (6) provided: AC, No Battery, Low Battery, Tamper, Amplifier Fault and Driver Fault.

### General Specifications

Electronic cabinet dimensions	36" W x 48" H (60" with pedestals) x 12" D/91.4 x 121.9 (152.4 with pedestals) x 30.5 cm
Electronic cabinet weight	110 lbs (not including batteries)/49.9 kg; Total weight with batteries: 322 lbs/146 kg
Horn dimensions	3' 2" W x 2' 1" H x 1' 4 7/16" D/96.52 cm x 63.5 cm x 41.91 cm (2 horns with drivers, omni-directional)
Horn weight	52 lbs for each horn and driver kit (pair)/23.6 kg
Horn material	Special aluminum alloy horn construction provides long service life without material fatigue
Battery weight	53 lbs each/24 kg
Speaker mounting/pipe pole <sup>①</sup>	Minimum 4.5" (11 cm) outside diameter (OD); Maximum 6" OD (15.25 cm)
Ground mount pedestal kit <sup>①</sup>	Model M37-00056 raises the cabinet 12" (30.5 cm) from the ground
Speaker cable kit <sup>①</sup>	Model CAB-SPKR-KIT, 500 ft (152 m) long; 16 AWG stranded, non-shielded, marine-rated
Speaker wire <sup>①</sup>	12–16 AWG stranded two-conductor jacketed cable. Non-shielded either twisted or non-twisted. UL/CSA/EU: approved for outdoor use
Wire size ratings	Speaker Lines: 12–16 AWG (limited to 14 AWG for connectors) AMB Lines: 12–22 AWG AC Mains: 10–16 AWG

### Power (Including Standby)

Input voltage	120 to 240 VAC; 50 to 60 Hz Single-phase (Universal AC/Auto-switching)
Input current	3 Amps
Battery input voltage	40.8–55.4 VDC 48 Volts (nominal)
Operating voltage	~48 VDC
Standby time	72 hrs followed by 60 min continuous voice
Continuous signaling time	60 minutes (voice)
Battery charger	Universal AC Supply, 4 Amp maximum
Batteries	Four (4) deep cycle discharge AGM, SLA batteries. 65 AH each, connected in series

### Amplifiers

Amplifier	Class D
Frequency response	300 Hz to 7.2 kHz (Driver, typical); 20 Hz to 20 kHz (Amp, typical)
Total harmonic distortion	0.1% THD+N Capable; 10% THD+N Max to achieve specified SPL levels
Efficiency	Greater than 90% at full load
Thermal protection	Yes
Short circuit protection	Yes, Auto Recovery
Driver impedance	11 Ohm (Typical)

### Environment

Operating temperature	–40° F to 140° F (–40° C to +60° C)
Electronic cabinet rating	NEMA 4X, IP66, UL508 cabinet
Transient protection	Built-in lightning protection on mains, external interfaces, and speaker lines

<sup>①</sup> Not included with the HPSA-7100-R series.



31T-115-R	18, 99	E50H-R	38	HS4-24MCC-FR	14	MT4-115-WH-VFR	15
31T-115-S	18, 99	E50H-W	38	HS4-24MCC-FW	14	MT4-115-WH-VNS	15, 92
43T-G6-24-R	29, 95	E50-R	40	HS4-24MCCH-FR	14	MT-12/24-R	15, 33
43T-G6-24-S	29, 95	E50-W	40	HS4-24MCCHFV	14	MT-12/24-W	15, 92
43T-G6-115-R	29, 95	E60-24MCC-FR	40	HS4-24MCWF-FR	14	MT-24MCWF-AR	15
43T-G6-115-S	29, 95	E60-24MCC-FW	40	HS4-24MCWF-FW	14	MT-24MCWF-FR	15
43T-G10-24-R	29, 95	E60-24MCCH-FR	40	HS4-24MCWFH-FR	14	MT-24MCWF-FW	15
43T-G10-24-S	29, 95	E60-24MCCH-FW	40	HS4-24MCWFH-FW	14	MT-24MCWF-NW	15, 92
43T-G10-115-R	29, 95	E60H-24MCC-FR	38	HS-24-R	14	MT-121575W-FR	15
43T-G10-115-S	29, 95	E60H-24MCC-FW	38	HS-24-W	14	MT-121575W-FW	15
AC-MAX-A	88	E60H-24MCCH-FR	38	HSR	13	MT-121575W-NW	15, 92
AC-MAX-B	88	E60H-24MCCH-FW	38	HSRC	13	MTA-24MCCH-NW	34
AC-MAX-C	88	E60H-R	38	HSW	13	MTA-121575W-NW	34
AC-MAX-R	88	E60H-W	38	HSWC	13	MTB-24MCCH-NW	34
AC-MAXS-A	88	E60-R	40	IOB-R	33	MTG-24MCCH-NW	34
AC-MAXS-B	88	E60-W	40	IOB-W	33	MTH-24	100
AC-MAXS-C	88	E70-24MCWF-FR	41	LEM-D-M	121	MTR-24MCCH-NW	34
AC-MAXS-R	88	E70-24MCWF-FW	41	LFHNKR3	8	MTWP-24MCCH-FR	33
AH-12WP-R	33	E70-24MCWFH-FR	41	LFHNKR3-AL	8	MTWP-24MCCH-FW	33
AH-24WP-R	33	E70-24MCWFH-FW	41	LFHNKR3-CO	8	MTWP-24MCWFH-FR	33
AM-SP40S-NBT	113	E70A-24MCC-NW	42	LFHNKR3-N	8	MTWP-24MCWFH-FW	33
AM-SP40S-PMK	113	E70B-24MCC-NW	42	LFHNKW3	8	MTWP-2474C-FR	33
AM-SP40S-SMK	113	E70H-24MCWF-FR	39	LFHNKW3-AL	8	MTWP-2474W-FR	33
AMT-12/24-R	16	E70H-24MCWF-FW	39	LFHNKW3-CO	8	MTWP-2475C-FW	33
AMT-12/24-R-NYC	16	E70H-24MCWFH-FR	39	LFHNKW3-N	8	MTWP-2475W-FW	33
AMT-12/24-W	16, 93	E70H-24MCWFH-FW	39	LFHSKR3	9	MTWPA-24MCCH-NW	34
AMT-24MCWF-FR	16	E70H-R	39	LFHSKR3-AL	9	MTWPA-2475W-NW	34
AMT-24MCWF-FW	16, 93	E70H-W	39	LFHSKR3-CO	9	MTWPB-24MCCH-NW	34
AMT-24MCWF-NW	16, 93	E70-R	41	LFHSKR3-N	9	MTWPG-24MCCH-NW	34
ASWP-24MCCH-FR	33	E70-W	41	LFHSKW3	9	MTWPR-24MCCH-NW	34
ASWP-24MCCH-FW	33	E90-24MCC-FR	41	LFHSKW3-AL	9	NPS-B	122
ASWP-24MCWFH-FR	33	E90-24MCC-FW	41	LFHSKW3-CO	9	NPS-G	122
ASWP-24MCWFH-FW	33	E90-24MCCH-FR	41	LFHSKW3-N	9	NPS-NC	122
ASWP-2475C-FR	33	E90-24MCCH-FW	41	LHNR3	10	NPS-NO	122
ASWP-2475C-FW	33	E90A-24MCC-NW	42	LHNRC3	10	NPS-R	122
ASWP-2475W-FR	33	E90B-24MCC-NW	42	LHNW3	10	NPS-W	122
BAT-1212	113	E90H-24MCC-FR	39	LHNWC3	10	NPS-Y	122
CH70-24MCWF-FR	28	E90H-24MCC-FW	39	LHSR3	11	PBUL4C6C4DSN7R	82
CH70-24MCWF-FW	28	E90H-24MCCH-FR	39	LHSRC3	11	PS-8-B-LP	56
CH70-24MCWFH-FR	28	E90H-24MCCH-FW	39	LHSW3	11	PS-8E-B-LP	56
CH70-24MCWFH-FW	28	E90H-R	39	LHSWC3	11	PS-8E-EXP-LP	56
CH70-R	28	E90H-W	39	LSPKR	36	PS-8E-LP	56
CH70-W	28	E90-R	41	LSPKRC	36	PS-8-EXP-LP	56
CH90-24MCC-FR	28	E90-W	41	LSPKW	36	PS-8-LP	56
CH90-24MCC-FW	28	EN4	66	LSPKWC	36	PS-15A-WPW	103
CH90-24MCCH-FR	28	EPS-1205	105	LSPSTR3	36	PS-33A-WPA	103
CH90-R	28	EPS-2401	105	LSPSTR3-ALA	37	PS-EXP	56
CH90-W	28	ET70-24MCWF-FR	43	LSPSTR3-NA	37	RPS-2406	105
CRT-40	104	ET70-24MCWF-FW	43	LSPSTRC3	36	RPS-2440-A	105
CSX10-24-R	31, 84, 97	ET70-24MCWFH-FR	43	LSPSTRC3-ALA	37	RSS-24MCC-ALW	23
CSX10-24-S	31, 84, 97	ET70-24MCWFH-FW	43	LSPSTRC3-NA	37	RSS-24MCC-FR	23
CSX10-115-R	31, 84, 97	ET70-R	43	LSPSTW3	36	RSS-24MCC-FW	23
CSX10-115-S	31, 84, 97	ET70-W	43	LSPSTW3-ALA	37	RSS-24MCCH-FR	23
CSXG10-24-R	31, 84, 97	ET70WP-2475C-FR	33	LSPSTW3-NA	37	RSS-24MCCH-FW	23
CSXG10-24-S	31, 84, 97	ET70WP-2475C-FW	33	LSPSTWC3	36	RSS-24MCC-NW	23
CSXG10-115-R	31, 84, 97	ET70WP-2475W-FR	33	LSPSTWC3-ALA	37	RSS-24MCW-ALR	23
CSXG10-115-S	31, 84, 97	ET70WP-2475W-FW	33	LSPSTWC3-NA	37	RSS-24MCW-ALW	23
CVG10-115-R	31, 84, 97	ET70WP-24177C-FR	33	LSTR3	20	RSS-24MCW-AR	23
CVG10-115-S	31, 84, 97	ET70WP-24177C-FW	33	LSTR3-ALA	25	RSS-24MCW-FR	23
CVX10-115-R	31, 84, 97	ET70WP-24185W-FR	33	LSTR3	20	RSS-24MCW-FW	23
CVX10-115-S	31, 84, 97	ET70WP-24185W-FW	33	LSTR3-NA	25	RSS-24MCWFH-FR	23
DB1HPULA024D1D2NNNR	77	ET70WPA-2475W-NW	34	LSTW3	20	RSS-24MCWFH-FW	23
DB1PULA024D1D2NNNR	77	ET80-24MCWF-FR	44	LSTW3-ALA	25	RSS-24MCW-NR	23
DB3BULG048N2CPNR	79	ET80-24MCWF-FW	44	LSTWC3	20	RSS-24MCW-NW	23
DB3BULG120N2CPNR	79	ET80-24MCWFH-FR	44	LSTW3-NA	25	RSSA-24MCCH-NW	27
DB4BULG1570N2CPCR	80	ET80-24MCWFH-FW	44	MB-G6-12-R	30, 96	RSSA-24MCC-NW	27
DB4BULG2570N2CPCR	80	ET90-24MCC-FR	43	MB-G6-12-S	30, 96	RSSB-24MCCH-NW	27
DC-MAX-A	88	ET90-24MCC-FW	43	MB-G6-24-R	30, 96	RSSB-24MCC-NW	27
DC-MAX-B	88	ET90-24MCCH-FR	43	MB-G6-24-S	30, 96	RSSG-24MCCH-NW	27
DC-MAX-C	88	ET90-24MCCH-FW	43	MB-G10-12-R	30, 96	RSSG-24MCC-NW	27
DC-MAX-R	88	ET90-R	43	MB-G10-12-S	30, 96	RSSP-24MCWF-FR	24
DC-MAXS-A	88	ET90-W	43	MB-G10-24-R	30, 96	RSSP-24MCWF-FW	24
DC-MAXS-B	88	ET-1010-R	33, 44	MB-G10-24-S	30, 96	RSSP-24MCWFH-FR	24
DC-MAXS-C	88	ET-1010-W	33, 44	MIN-TA	91	RSSP-24MCWFH-FW	24
DC-MAXS-R	88	ET-1080-R	44	MIZ-24S-R	17	RSSPA-24MCC-NW	27
DSM-12/24-R	55	ET-1080-W	44	MIZ-24S-W	17	RSSR-24MCCH-NW	27
E50-24MCWF-FR	40	EWP	66	MPS-100	53	RSSR-24MCC-NW	27
E50-24MCWF-FW	40	EWR	66	MPS-200	53	RSSWP-24MCCH-FR	33
E50-24MCWFH-FR	40	HNR	12	MPS-400X	53	RSSWP-24MCCH-FW	33
E50-24MCWFH-FW	40	HNRC	12	MPS-ISB	53	RSSWP-24MCWFH-FR	33
E50A-24MCC-NW	42	HNW	12	MPS-RODS	53	RSSWP-24MCWFH-FW	33
E50B-24MCC-NW	42	HNWC	12	MPS-WP	53	RSSWP-2475C-FR	33
E50H-24MCWF-FR	38	HPSA-7102-R	127	MT4-12/24-R	15	RSSWP-2475W-FR	33
E50H-24MCWF-FW	38	HPSA-7104-R	127	MT4-12/24-S	15, 92	RSSWP-2475W-FW	33
E50H-24MCWFH-FR	38	HPSA-7106-R	127	MT4-115-R	15	RSSWP-2575C-FW	33
E50H-24MCWFH-FW	38	HPSA-7108-R	127	MT4-115-S	15, 92	RSSWPA-24MCCH-NW	34

## Index

RSSWPA-2475W-NW	34	STRC-AB	26
RSSWPB-24MCCH-NW	34	STRC-ALA	26
RSSWPG-24MCCH-NW	34	STRC-NA	26
RSSWPR-24MCCH-NW	34	STRC-NB	26
S8-24MCC-FW	45	STRC-NG	26
S8-24MCCH-FW	45	STRC-NR	26
S8-70/25	45	STR-NA	26
SA-H5-B	108	STR-NG	26
SA-H15-B	108	STW	22
SA-S70-24MCW-FR	46	STW-ALA	26
SA-S70-24MCW-FW	46	STWC	22
SA-S70-R	46	STWC-AB	26
SA-S70-W	46	STWC-ALA	26
SA-S90-24MCC-FR	46	STWC-ALB	26
SA-S90-24MCC-FW	46	STWC-NA	26
SA-S90-R	46	STWC-NB	26
SA-S90-W	46	STWC-NG	26
SHMP-R	47	STWC-NR	26
SM87HXBAUL024CN4L4RNNR	70	STW-NA	26
SM87HXBAUL024CN4R4LNNR	70	STW-NG	26
SM87HXBAUL024RN4L4RNNR	70	UTA-1	102
SM87PBLAUL3T3B3NN	83	UTA-WH-VPS	102
SP4-LOC-FB	120	VC-35	109
SP4-LOC-KIT	120	WBB-R	33
SP4-LOC-SB	120	WBB-W	33
SP4-RMX	114	WFFPA-R	33
SP4-TZC	118	WFFPA-W	33
SP4Z-A/B	115	WFP-R	33
SP4Z-APS	117	WFP-W	33
SP40S	113	WH1T-115-NS	89
SP40S-B	113	WH3T-115-NS	89
SP40S-D	113	WPBB-R	33
SP40S-D-B	113	WPBB-W	33
SPB-80/4	116	WP-KIT	33
SPB-80/4-B	116	WPSBB-R	33
SPB-80/4E	116	WPSBB-W	33
SPB-80/4E-B	116	XB4ULB8D2E3E06ANCN1R	75
SPB-160	116	XB4ULB8D2E3E06ANRN1R	75
SPB-160-B	116	XB11UL02406CNBNNNR	71
SPB-160E	116	XB11UL02406RNBNNNN	71
SPB-160E-B	116	XB11UL02406RNBNNNR	71
SPB-320	116	XB11UL11006ANBNNNR	71
SPB-320E	116	XB11UL11006RNBNNNR	71
SPB-320E-B	116	XB12UL02406CNBNNNR	74
SP-COA	113	XB15UL0241506CVBNR	73
SPMB4Z	115	XB15UL0241506RWBNN	73
SPMNS	124	XB15UL0241506RWPNN	73
SPMNS-MIC	125	XB16UL02460RYNNZ	72
SPRM	114	XB16US02460CYNRZ	72
SPRM-GP	114	XRT-T-40	85
SP-SVC	119		
STC8	107		
STC8M	107		
STC8MV	107		
STC8V	107		
STH-2G	48		
STH-2MS-R	48		
STH-2R	48		
STH-2R24MCCH-FR	50		
STH-2R24MCCH-NR	50		
STH-3MS-R	48		
STH-3R	48		
STH-3R24MCCH-FR	50		
STH-3R24MCCH-FW	50		
STH-3R24MCCH-NR	50		
STH-3R24MCCH-NW	50		
STH-4M30WC	49		
STH-4MS-R	48		
STH-4R	48		
STH-4R24MCCH110A-NR	51		
STH-4R24MCCH110B-NR	51		
STH-4R24MCCH110G-NR	51		
STH-4R24MCCH110R-NR	51		
STH-4R24MCCH-FR	50		
STH-4R24MCCH-FW	50		
STH-4R24MCCH-NR	50		
STH-4R24MCCH-NW	50		
STH-15-B	107		
STH-15S	47		
STH-15SR	47		
STH-30	107		
STH-90-R24MCCH-FR	50		
STH-90-R24MCCH-NR	50		
STR	22		
STR-ALA	26		
STRC	22		





**Eaton**  
1000 Eaton Boulevard  
Cleveland, OH 44122  
United States  
Eaton.com

**Eaton**  
Life safety & mass notification solutions  
273 Branchport Ave.  
Long Branch, NJ 07740  
Eaton.com/massnotification

© 2017 Eaton  
All Rights Reserved  
Printed in USA  
Publication No. CA450001EN  
August 2017

Eaton is a registered trademark.

All other trademarks are property  
of their respective owners.