

# VoIP SIP/Multicast Ceiling Mount Speaker

# CyberData

The IP Endpoint Company

The CyberData VoIP SIP/Multicast Ceiling Mount Speaker is a highly cost-effective Power-over-Ethernet (PoE 802.3af) and Voice-over-IP (VoIP) public address indoor speaker that easily connects into existing local area networks with a single Ethernet cable connection.

The speaker plays multicast messages, independent of the SIP environment. The device's streamlined case and included mounting hardware offers an easy installation in almost any environment.

CyberData's SIP enabled VoIP products are compatible with a vast majority of VoIP systems including SBCs, Gateways, and phone systems both on-premise or cloud-based.



## Features

- Simultaneous SIP and multicast
- Paging prioritization
- Can receive pages directly from Poly phones as well as other devices that can send standard multicast
- Loud/Night Ringer function - second SIP extension
- Support for 10 multicast paging groups
  
- Network-adjustable speaker volume
- High efficiency speaker driver
- Small footprint
  
- TLS 1.2 (includes mutual authentication) and SRTP enhanced security for IP Endpoints in a local or cloud-based environment
- Autoprovisioning via HTTP, HTTPS, or TFTP
- HTTPS or HTTP web based configuration. HTTPS is enabled by default
- 802.11q VLAN tagging
- Configurable event generation for device health and status monitoring
- Web-based upgradeable firmware
- Support for multiple SIP servers for redundancy

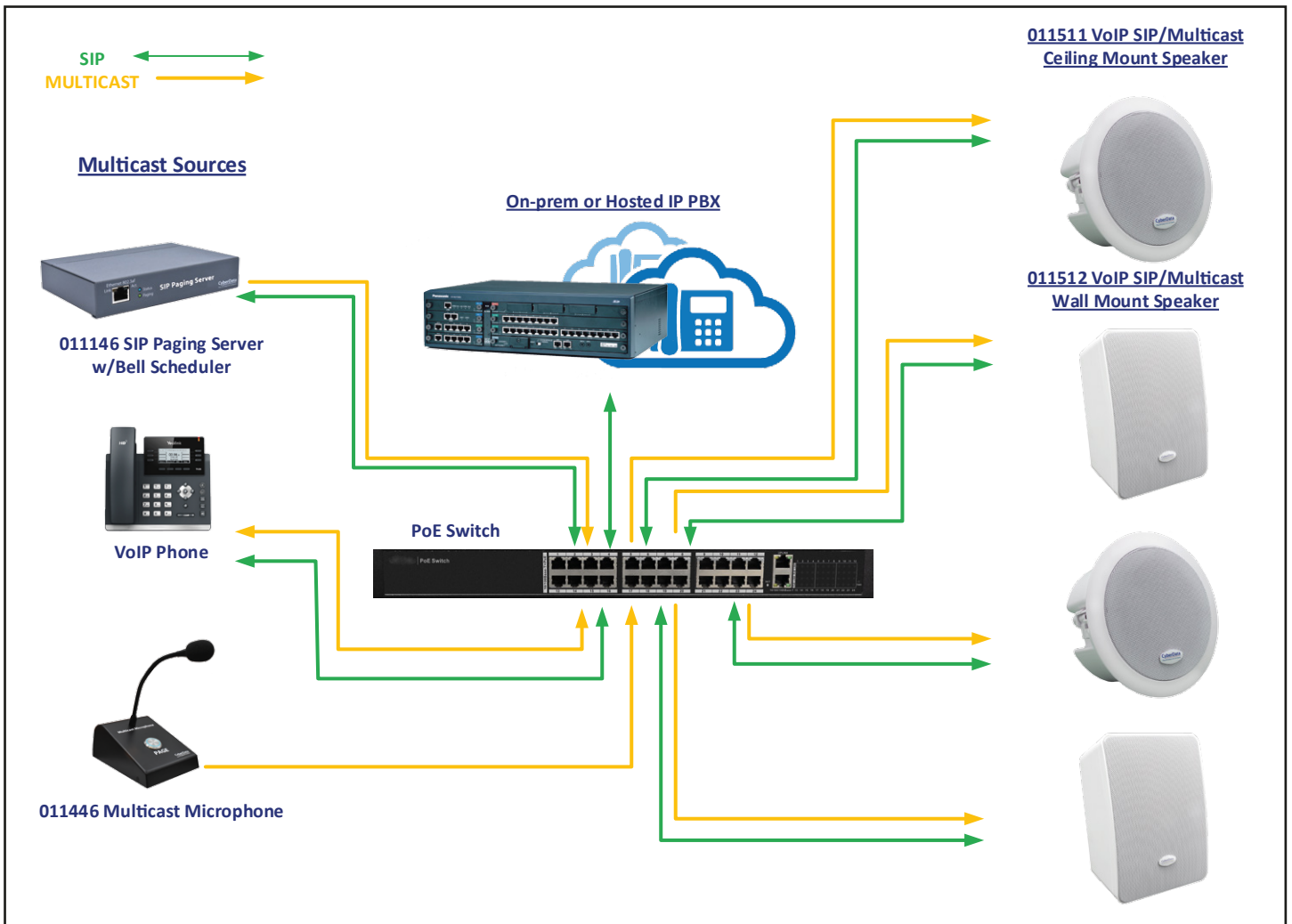
## Specifications

Ethernet I/F	10/100 Mbps
Protocol	RTP, SIP (RFC 3261)
Power Input	PoE 802.3af
Audio Output	802.3af - SPL 99 dB @ 1 meter
Payload Types	G.711 a-law, G.711μ-law, G.722 and G.729
Network Security	TLS 1.2, SRTP, HTTPS
Operating Range	Temperature: -40° C to 55° C (-40° F to 131° F) Humidity: 5-95%, non-condensing
Storage Temperature	-40° C to 70° C (-40° F to 158° F)
Storage Altitude	Up to 15,000 ft. (4573 m)
Dimensions*	7.93 in. [201.5 mm] Grill Diameter 6.70 in. [170 mm] Can Diameter 3.52 in. [89.4 mm] Can Depth
Weight	2.4 lbs [1.09 kg]
Boxed Weight	2.9 lbs [1.32 kg]
Compliance	CE: EMC Directive – Class A EN 55032 & EN 55024, LV Safety Directive – EN 62368-1; RoHS Compliant; FCC Part 15 Class A; Industry Canada ICES-3 Class A; IEEE 802.3 Compliant; TAA Compliant
Warranty	2 Years Limited
Part Number	011511

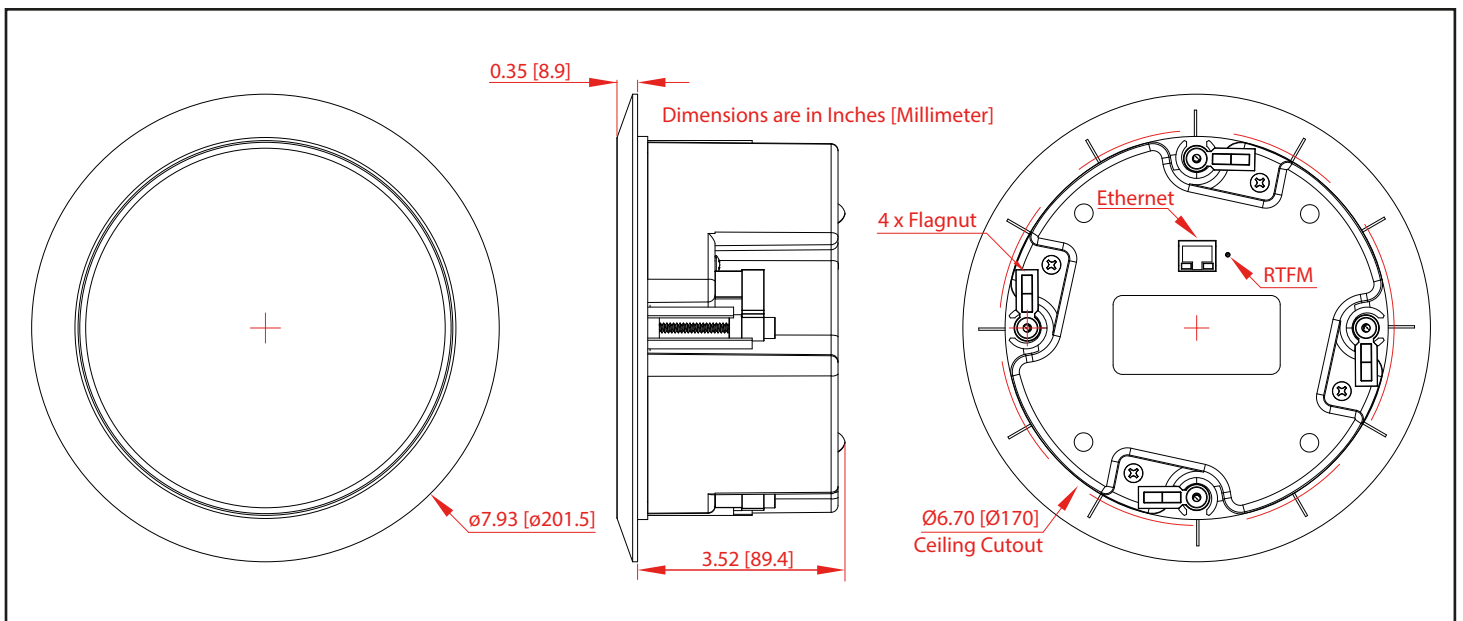
\*Dimensions are measured from the perspective of the product being upright with the front of the product facing you.

# VoIP SIP/Multicast Ceiling Mount Speaker

## Typical IP Speaker Configuration



## Dimensions



---

# VoIP SIP/Multicast Ceiling Mount Speaker

## Related Products:



011146 SIP Paging Server  
with Bell Scheduler



011512 VoIP SIP/Multicast  
Wall Mount Speaker



011446 Multicast  
VoIP Microphone