



Telephone Signaling & Commercial Audio

- Telephone Alerts
- Telestrobes
- Audibles
- TelBells
- Relays

Series UTA Universal Telephone Alerts



Available features and options:

- Loud, attention getting electronic ringers
- Designed for use in noisy locations or for wide area coverage
- Operates off the telephone ringer voltage
- Low current draw and REN
- Tamper resistant volume control
- Dip switch selectable

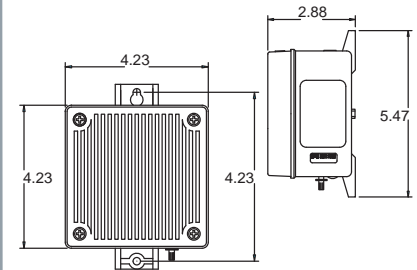
Color: Gray

Four selectable sound patterns: Horn, Bell, Vibrating Chime, Single Chime

High output 109 dB piezo speaker

Approvals: UL Standard 1950, CSA, IC, DOC

Multiple voltage activation



Model Number	Color	Order Code	Power Requirements
UTA-1	Gray	6338	24 VDC, 24 VAC, 48 VDC, 90 VRMS/20-30Hz

w/Strobe

UTA-WH-VPS	Gray	6348	115 VAC power for strobe and piezo operation telephone ring trigger for activation via 24 VDC, 24 VAC, 48 VDC, 90 VRMS/20-30Hz
------------	------	------	--

Tone Volume Range and Description

	UTA-1	UTA-WH	Description
Horn	73-108 dB	82-109 dB	Broadband Horn
Bell	61-102 dB	76-104 dB	1560 Hz Modulated (0.07 Sec. ON/Repeat)
Vibrating Chime	57-100 dB	68-94 dB	700 Hz (1.0 Sec. Decay/Repeat)
Single Chime	57-97 dB	68-94 dB	700 Hz (1.0 Sec. Decay)

Model Number	Tones	dB @ 3 Feet (1 meter)				Ring Voltage Current Draw mA			REN
		48 VDC	24 VDC	24 VAC	90 VRMS 20 Hz	48 VDC	24 VDC	24 VAC	90 VRMS 20 Hz
UTA-1	Horn	107	108	105	104	26	30	46	1.6
	Bell	100	100	102	100	10	9	35	1.4
	Vibrating Chime	94	96	99	97	7	6	29	1.25
	Single Chime	94	96	100	96	6	6	34	1.25
UTA-WH-VPS	Horn	109	109	109	109	3	2.5	4	.5
	Bell	104	104	104	104	3	2.5	4	.5
	Vibrating Chime	94	94	94	94	3	2.5	4	.5
	Single Chime	94	94	94	94	3	2.5	4	.5

Voltage Range 36-60 20-30 20-30 40-130

Reference pages 50-56 for additional mounting information

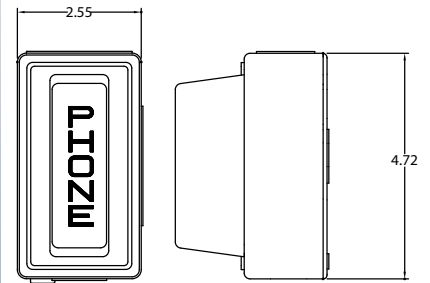
Telephone Signaling

Series PS Telestrobes



Available features and options:

- PS Telestrobes emit a high intensity flashing light when the telephone rings
 - Designed for alerting the hearing impaired
 - For use in high ambient noise environments, quiet hospital zones, libraries and broadcast studios
 - Single line phones
 - RJ-11C modular plug-in connection
 - Long life, low power consumption
 - Easily mounts to interior surfaces
- Approvals: UL Standard 1459, CSA



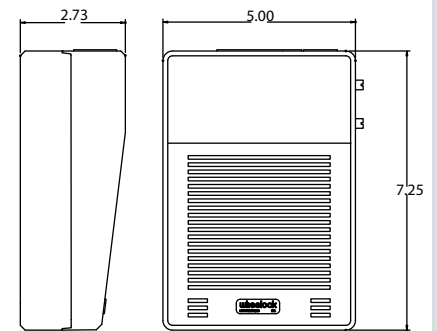
Model Number	Color	Order Code	Nominal Input Voltage (Strobe)	Input Voltage Limits	REN	Current Draw	Peak Candlepower
Single Analog Phone Line							
PS-11A-WPW	Gray	3858	115 VAC	45-130 V, 20-30 Hz	.4	.08A@115VAC	70,000
PS-15A-WPW	Gray	3413	90 VAC	50-130 V, 20-30 hZ	1.5	.20A@90VAC	8,000
Low Voltage							
PS-33A-WPA	Gray	3209	24VDC	18-30 VAC or VDC	N/A		25,000

Series **WR** Warble Telephone Alert



Available features and options:

- High quality, compact signaling devices
- Easily connects to phone systems
- Enables any moderately noisy environments to have a loud telephone alert.
- Connects with standard RJ-11C Phone jack
- Adjustable tone and volume
- Indoor use, surface mountable
- Analog, AC and DC models
- UL 1459 Listed, FCC part 68 approved and DOC certified



Model Number	Color	Order Code	Nominal Input Current or Voltage	Input Current or Voltage Range	dBA @ 1 meter	REN
Chime 1000-5000 sq. ft.						
CH-BT4	Gray	4078	0.01 Amps	38-60 VDC	90	N/A
Warble 1000-5000 sq. ft.						
WR-AT1-W	Gray	3862	90 VRMS, 20-30 Hz	50-130 VRMS, 20-30 Hz	90	0.8

WR-AT1-W can be used on the Public Telephone Network or behind PBX with interrupted ring voltages from 40-130 V, 20-30 Hz.

Telephone Signaling

Series TB TelBell



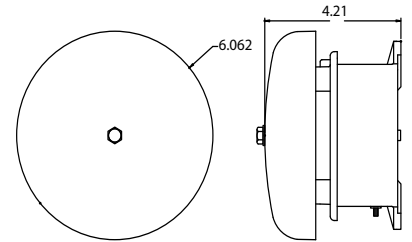
Available features and options:

- Aluminum bell housing
- Integral RFI suppression
- Screw terminal connections and RJ-11 plug
- Weatherproof backbox for indoor/outdoor mounting included
- Motor Driven
- Tamper resistant volume control

Applications: Telephone Ringers

Shell Size: 6"

Approvals Include: TB-593 is UL Listed, DOC



Model Number	Color	Order Code	Nominal Input Voltage	Input Voltage Range	Input Current	dBA @10 ft.
TB-592	Gray	4101	24 VDC/AC	18-30 VAC/DC	0.025/0.030	100
TB-593	Gray	4103	90 VAC	55-130 V, 20-30 Hz	N/A	95

TB-592 for phone systems with a programmed contact closure, DCI-24-24 power supply required.

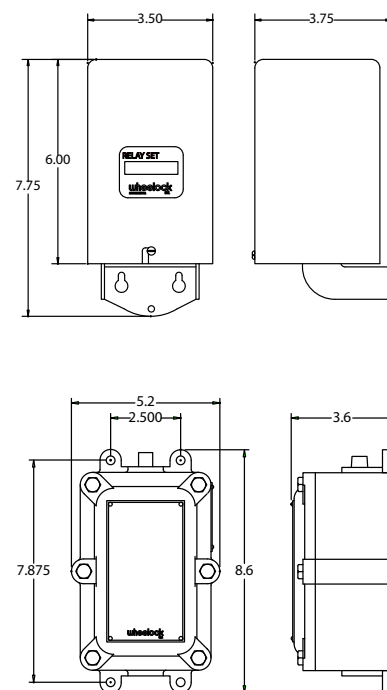
TB-593: REN: 1.6. For installation in Canada, a 7 ft. modular line cord w/CA-11 connector is required.

Series CRT/XRT Telephone Relays



Available features and options:

- Wheelock telephone relays activate various appliances when a telephone ring voltage is detected
- Two models are available to accommodate different voltage requirements, environments and applications
- Indoor, outdoor
- Explosion proof - (XRT-T-40)
- UL Listed, FCC registered, CSA
- Accepts RJ-11 phone plug
- AC/DC Relay



Model Number	Order Code
Weatherproof AC/DC	
CRT-T-40	0049
Explosion Proof AC/DC	
XRT-T-40	0221

	Input Voltage	AC Contact Ratings 115 volts	AC Contact Ratings 230 volts	DC Contact Ratings 115 volts	REN
CRT-T-40	39-150 V, 20-30 Hz	5 Amps, 60Hz	230 Amps, 60 Hz	500mA	0.6A
XRT-T-40	39-150 V, 20-30 Hz				

Series **EPS/RPS** Power Supplies



Available features and options:

EPS 1205

- 12 VDC, 500 mA, filtered, plugs into an AC outlet
- Includes DC output cord with polarized plug

EPS-2401

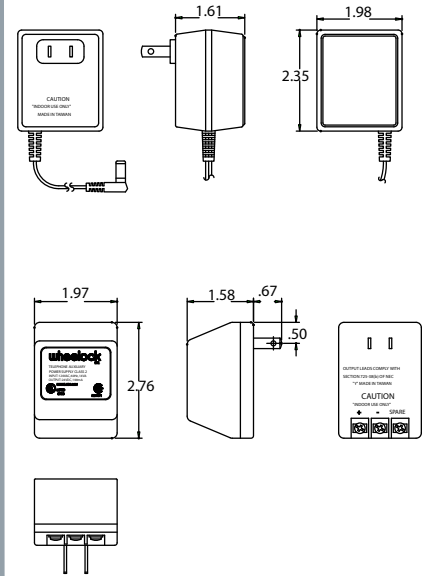
- 24 VDC, 100 mA, filtered, plugs into an AC outlet
- Powers 24 VDC alert signals and tone generators

RPS-2406

- 24 VDC, 600 mA, wall mounted with 6 ft. AC power cord
- Current limited, short circuit and overload protected with auto shutdown and reset

RPS-2440-A

- Either two 2 amp or one 4 amp
- Fully regulated and filtered
- Each output with independent power on LED
- Current limited overload and short circuit protection
- Auto shutdown and reset, AC circuit breaker for input protection



Model Number	Order Code	Output Current	Ripple and Noise
12 VDC			
EPS-1205	4892	500mA	2.5 V (Peak to Peak)
24 VDC			
EPS-2401	3545	100mA	10mVRMS

Model Number	Order Code	Output Current	Ripple and Noise	Regulation
12 VDC				
RPS-2406	3770	600mA	10mVRMS	+/- 5%
24 VDC Dual Output				
RPS-2440-A	4839	4 Amps	10mVRMS	+/- 5%



Paging Speakers, Horns, Volume Controls

Paging speakers and horns for clear, audible output of voice paging, background music, and tone alerting.

Volume controls for setting the loudness of speakers in individual rooms or areas.

Series **ST** Paging Speakers and Horns



Available features and options:

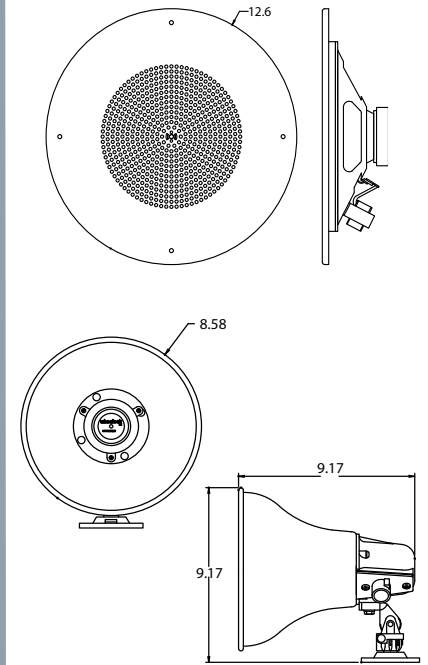
- Provides clear, audible output for voice paging, background music and tone alerting.

Speaker Size: 4", 8" or 10"

Mounting: Flush or surface mount

Grilles: Metal or plastic

Color: White, beige



Model Number	Color	Order Code
4", surface mount		
ST-B4	White	4116
8", flush mount		
ST-C8	White	4114
ST-C8M (metal)	White	8474
8", flush mount Recessed volume control		
ST-C8V	White	4871
ST-C8MV (metal)	White	8475
8" D, 15 Watt		
ST-H15-B	Beige	5147
10", 30 Watt		
ST-H30	Beige	5148

	dBa @ 1 meter	Frequency Response
4"	94	200 Hz-10,000Hz
8"	86	80 Hz-14,000Hz

Sound output measured at 1W @ 2KHz for ST-B4, ST-C8, ST-C8V, ST-C8MV.

	dBa @ 1 meter	Frequency Response
15 Watt	122	275 Hz-10,000 KHz
30 Watt	125	275 Hz-10,000 KHz

Full rated power for ST-H15-B and ST-H30.

ST-H30 Wattage Selector Switch Positions							
	1	2	3	4	5	6	7
25V	0.3	0.5	0.9	1.9	3.8	6.9	13.9
70V	2.0	3.8	7.5	15.0	30.0	-	-
100V	4.0	7.5	15.0	30.0	-	-	-

ST-H15-B Wattage Selector Switch Positions							
	1	2	3	4	5	6	7
25V	-	-	0.48	0.94	1.8	7.5	15.0
70V	1.0	2.0	3.8	7.5	15.0	-	-
100V	2.0	4	7.5	15.0	-	-	-

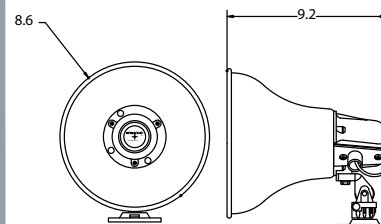
Series SA Self Amplified Paging Horns



Available features and options:

- Universal, fully adjustable mounting base with banding slots for beams and pillars
- Conduit interface adapter with clear plastic shield
- Weatherproof

Mounting: Surface



Model Number	Color	Order Code
8", 5 Watt		
SA-H5B	Beige	5145
8", 15 Watt		
SA-H15B	Beige	5146

	dBA @ 1 meter	Frequency Response	Power Output @ 1000 Hz/Nominal Current
5 Watt	114	275 Hz-14,000 Hz	5 watts/325 mA
15 Watt	117	275 Hz-14,000 Hz	15 watts/1.4 Amps 7.5 watts/900mA

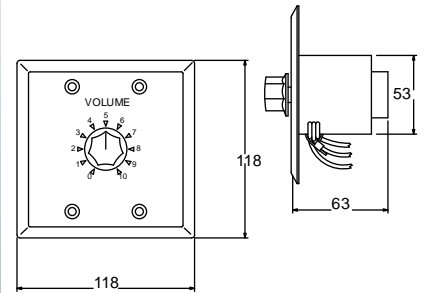
SA Series speakers have barrier, clamp type screw terminals, impedance: 600 Ohms/operating voltage: 18-28 VDC Sound output (dBA @ 1 meter) measured at rated power output at 100 Hz.

Series VC Volume Controls



Available features and options:

- Volume Control
- 25V or 70V
- Auto-transformer design
- Stainless steel wall plate
- Rotary switch that attenuates in 3dB stops to a completely off position



Model Number	Color	Order Code
Double Gang 35 watts		
VC-35		5160

Frequency Response	Insertion Loss
Better than 17 kHz	Less than .5dB